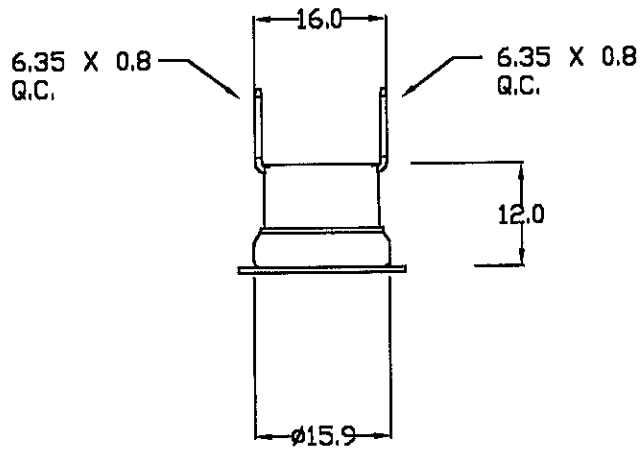
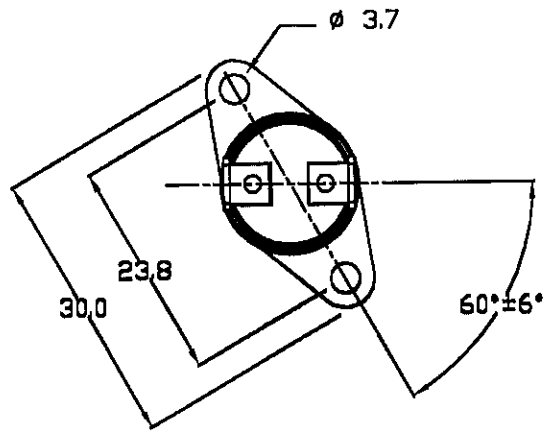


ALL DIMENSIONS ARE FOR REFERENCE ONLY  
UNLESS TOLERANCES ARE SPECIFIED.

DO NOT SCALE DRAWING

ALL DIMENSIONS IN mm UNLESS STATED.



DRAWN BY:  
S.C.


OPERATING CRITERIA

VOLTS; 240VAC  
AMPS; 15A

OPERATING CRITERIA

OPEN; 160±6°C  
CLOSE; 135±7°C

ISSUE MOD No. MTH/YR	-	-	-	-
----------------------	---	---	---	---

<u>CODING REQUIREMENTS</u> COLOUR;  L160C 2455RC-9082-388-XXX  (XXX = DATE CODING)	CAP; MAT'L; BRK'T; B201A MAT'L; ST/STEEL PLATING;	ELMWOOD DEVICE & UNIQUE PART NUMBER 2455RC-9082-388	DATE OF ISSUE STAMP 14 DEC 2004
	TERMINAL; T147 MATERIAL; STEEL PLATING; NICKEL		ELMWOOD DRG No. 040145