

Cable for Dragon3 and Oslon3 Coins

CAB-ILC-GD03

Product Overview

Cable for use with to ILS' Dragon3 and Oslon3 Coins
 Employs JST PH type connector
 Cable length 300 mm

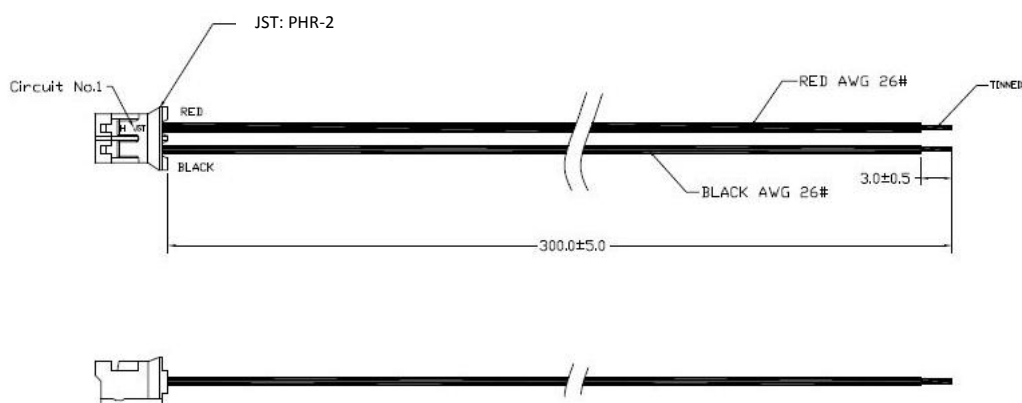


Ratings etc:

Maximum current	2 amps
Temperature range	-25° to +85°C
Insulation resistance	1,000 m Ohms min
Withstanding voltage	800V AC/minute
RoHS compliant	Yes

*This datasheet should be read in conjunction with the relevant JST data on the connector used

Drawing:



Important Information and Precautions

- Do not exceed the maximum current and voltage
- Minimum bend radius for cables is 5 mm
- Do not pull on cables or use them for physical support

The values contained in this data sheet can change due to technical innovations. Any such changes will be made without separate notification.