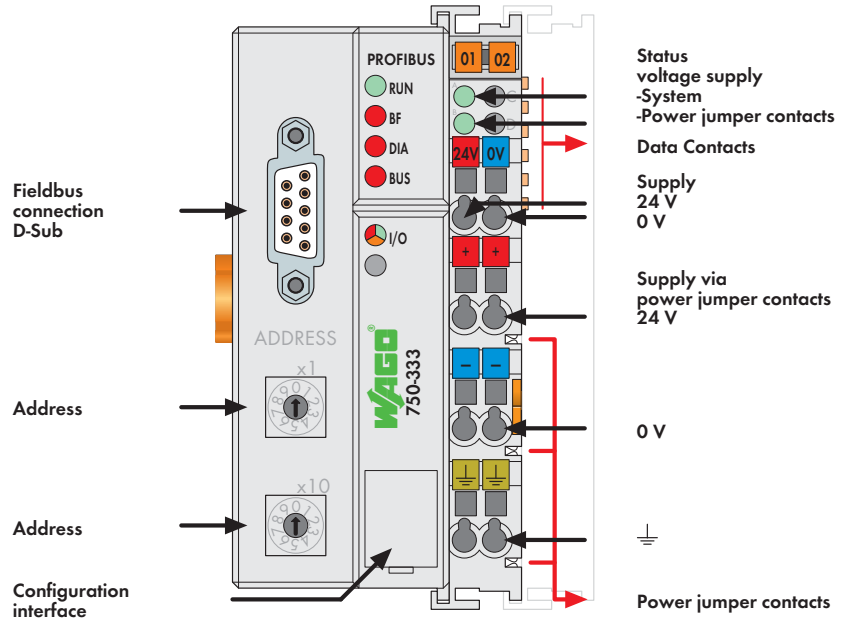


# 750-333

## PROFIBUS DP/V1 Fieldbus Coupler

12 Mbaud; digital and analog signals




This buscoupler interfaces the I/O modules of the WAGO-I/O-SYSTEM to PROFIBUS DP.

When initializing, the buscoupler determines the module structure of the node, to create the process image in PROFIBUS. In order to optimize addresses, the I/O modules with a bit width smaller than 8 are grouped in one byte.

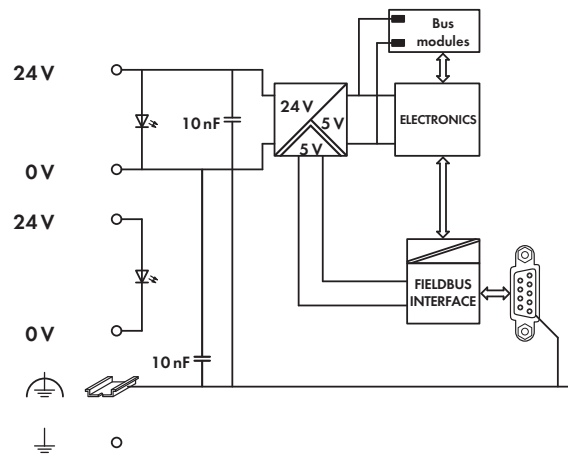
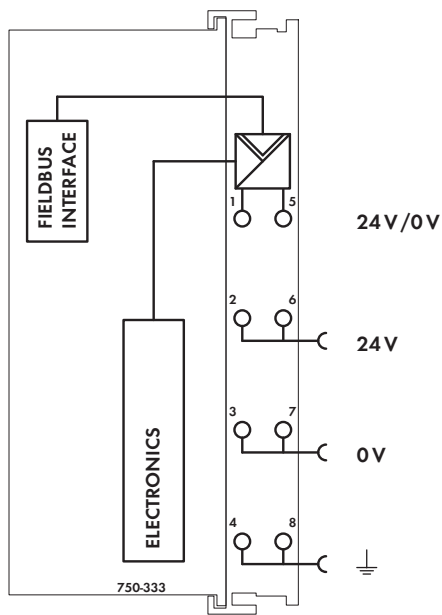
It is furthermore possible to deactivate I/O modules and to modify the image of the node according to the connected signals without having to modify the existing application.

The diagnosis concept is based on diagnostics according to the EN 50170 standard. Therefore the programming of modules is not necessary to interpret the diagnostic information from each manufacturer.

**Notice: GSD files required**

Description	Item no.	Pack. unit
<b>PROFIBUS DP/V1 12Mbd</b>	<b>750-333</b>	1
<b>PROFIBUS DP/V1/T</b>	<b>750-333/025-000</b>	1
Operating temperature -20 °C ... +60 °C		
Accessories		Pack. unit
Download: <a href="http://www.wago.com">www.wago.com</a>		
<b>Miniature WSB quick marking system,</b>		
	plain	<b>248-501</b> 5
	with marking	see pages 256 ... 257
Standards and Approvals	(Product variations available upon request)	
Standard	EN 50170	
Conformity marking	CE	
	UL 508	
	Class I, Div. 2, Grp. ABCD, T4	
	I M2 / II 3 GD Ex nA nL IIC T4	
Marine applications	BR-Ex nA II T4	
	see "Approvals Overview" in section 1	

System Data	
No. of couplers connected to Master	96 with repeater
Max. no. of I/O points	ca. 6000 (depends on master)
Transmission medium	Cu cable acc. to EN 50170
Max. length of fieldbus segment	100 m ... 1200 m (depends on baud rate/cable)
Baud rate	9.6 Kbaud ... 12 Mbaud
Transmission time	typ. 1 ms (10 couplers; 32 digital I/Os per coupler at 12 Mbaud)
	max. 3.3 ms
Buscoupler connection	1 x D-Sub 9; socket



Technical Data		General Specifications	
Number of I/O modules	63	Operating temperature	0 °C ... +55 °C
Fieldbus		Wire connection	CAGE CLAMP®
Max. input process image	244 bytes	Cross sections	0.08 mm² ... 2.5 mm² / AWG 28 ... 14
Max. output process image	244 bytes	Stripped lengths	8 ... 9 mm / 0.33 in
Configuration	via PC or PLC	Dimensions (mm) W x H x L	51 x 65 x 100
Voltage supply	DC 24 V (-25 % ... +30 %)		Height from upper-edge of DIN 35 rail
Max. input current (24 V)	500 mA	Weight	182 g
Efficiency of the power supply	87 %	Storage temperature	-25 °C ... +85 °C
Internal current consumption (5 V)	200 mA	Relative air humidity (no condensation)	95 %
Total current for I/O modules (5 V)	1800 mA	Vibration resistance	acc. to IEC 60068-2-6
Isolation	500 V system/supply	Shock resistance	acc. to IEC 60068-2-27
Voltage via power jumper contacts	DC 24 V (-25 % ... +30 %)	Degree of protection	IP20
Current via power jumper contacts (max.)	DC 10 A	EMC CE-Immunity to interference	acc. to EN 50082-2 (1996)
		EMC CE-Emission of interference	acc. to EN 50081-2 (1994)
		EMC marine applications -	
		Immunity to interference	acc. to Germanischer Lloyd (2003)
		EMC marine applications -	
		Emission of interference	acc. to Germanischer Lloyd (2003)