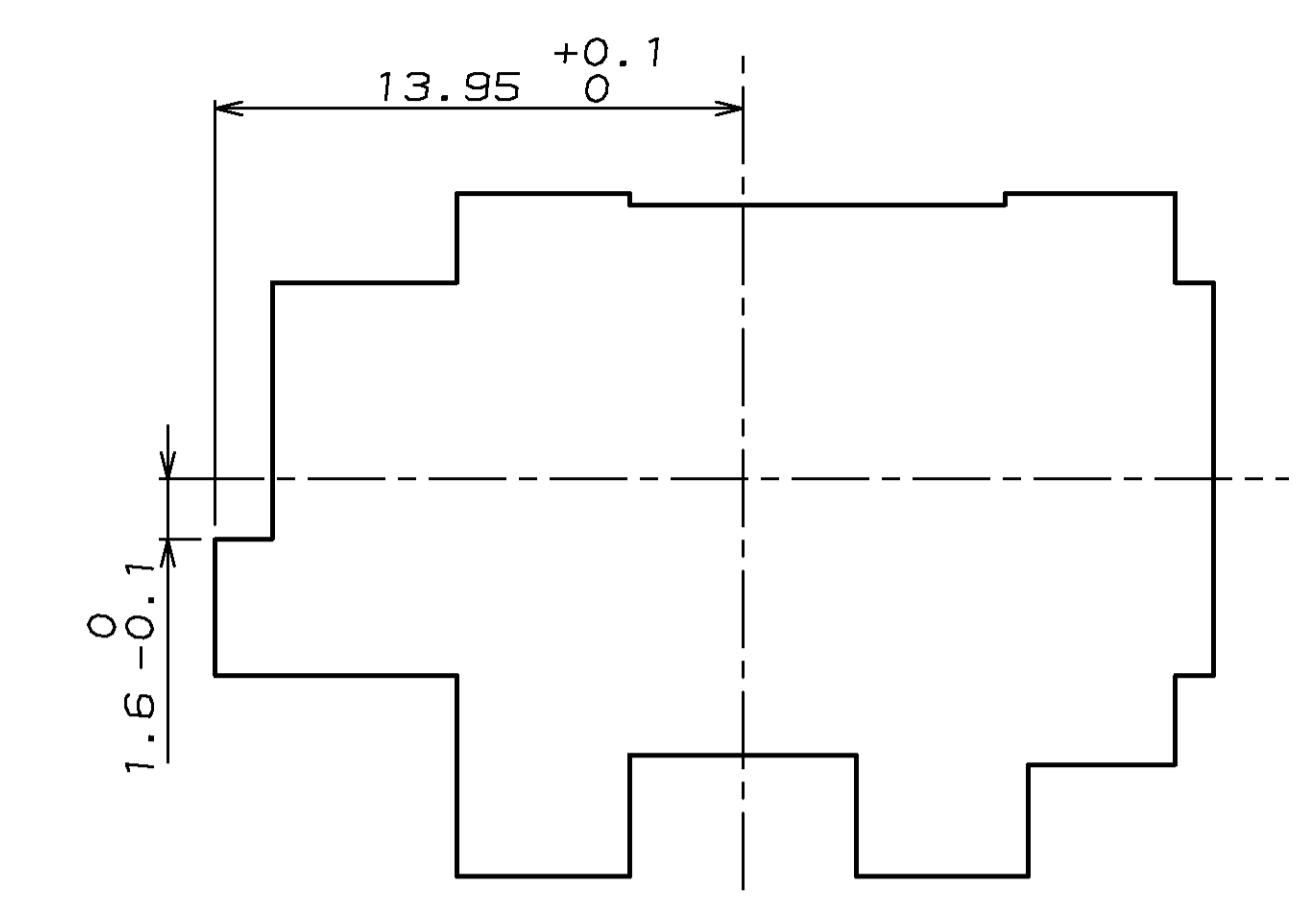
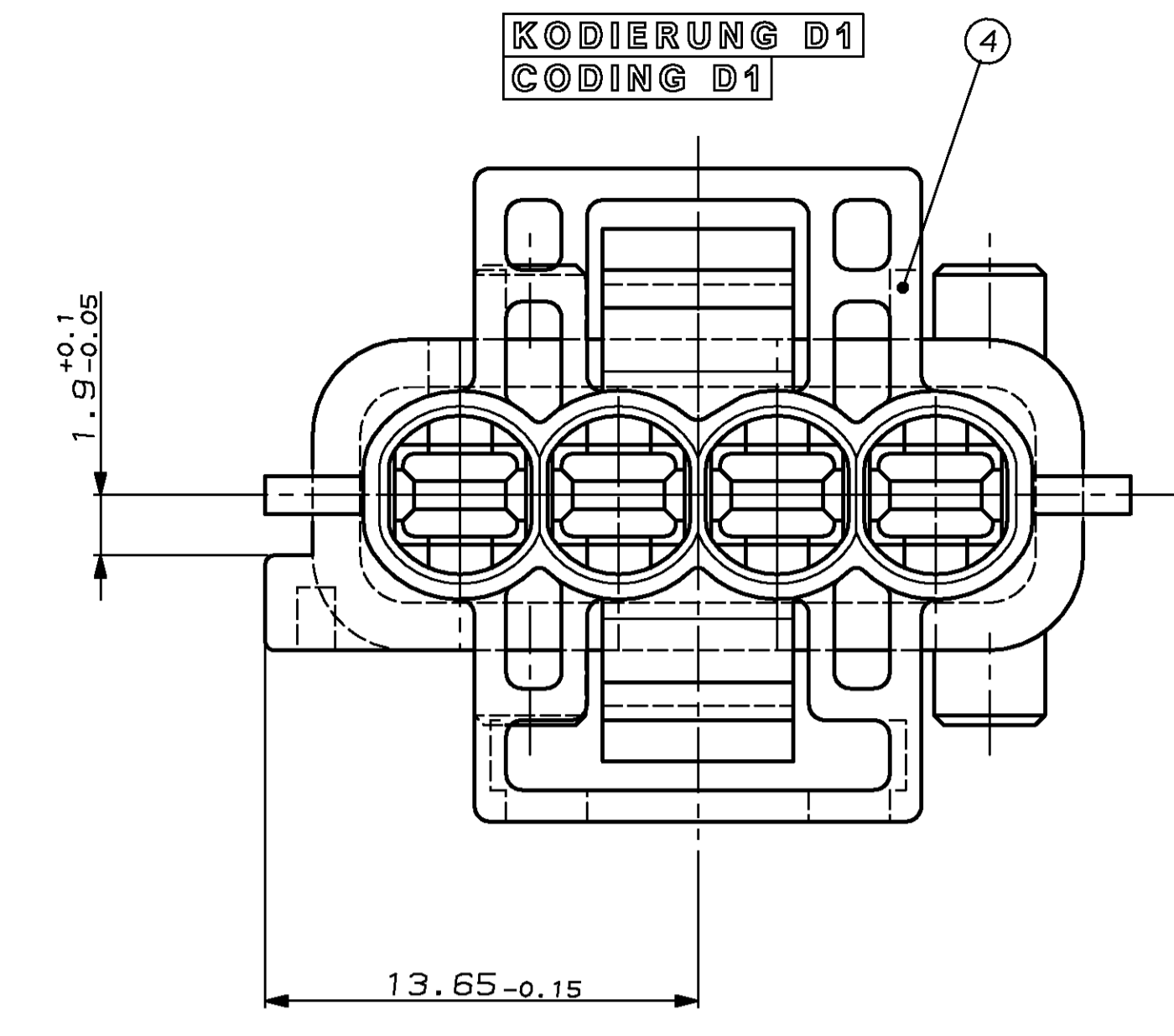
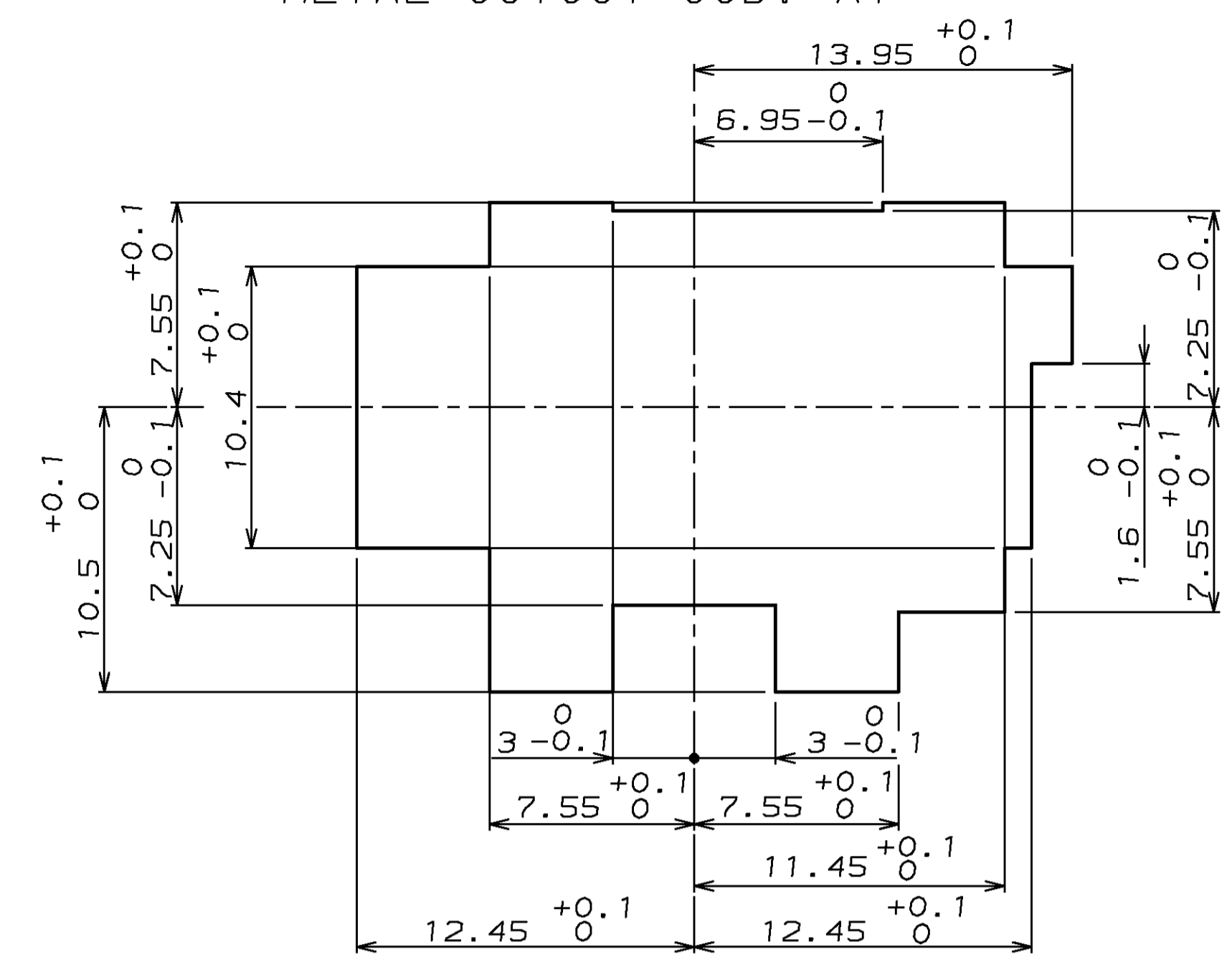
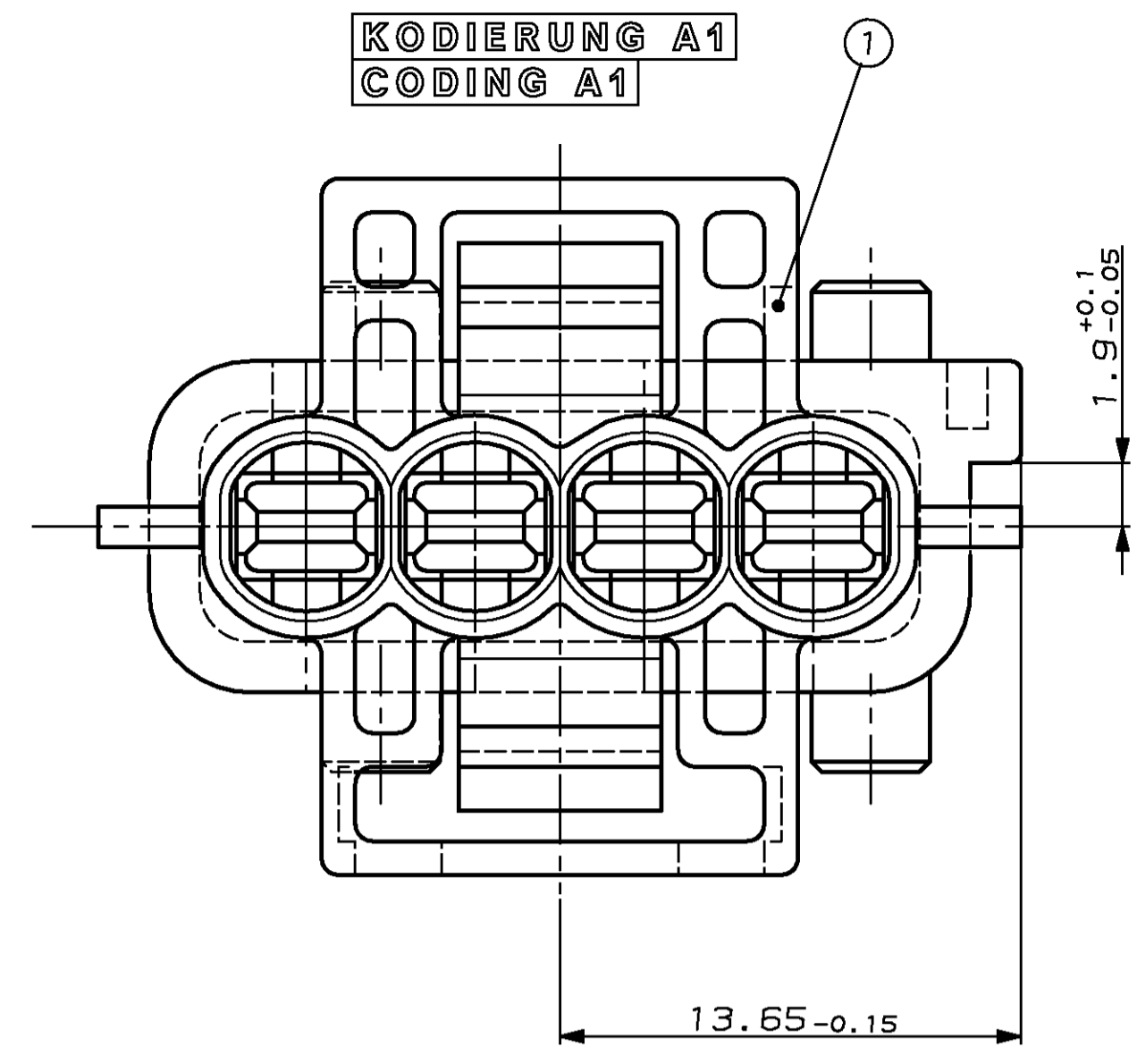


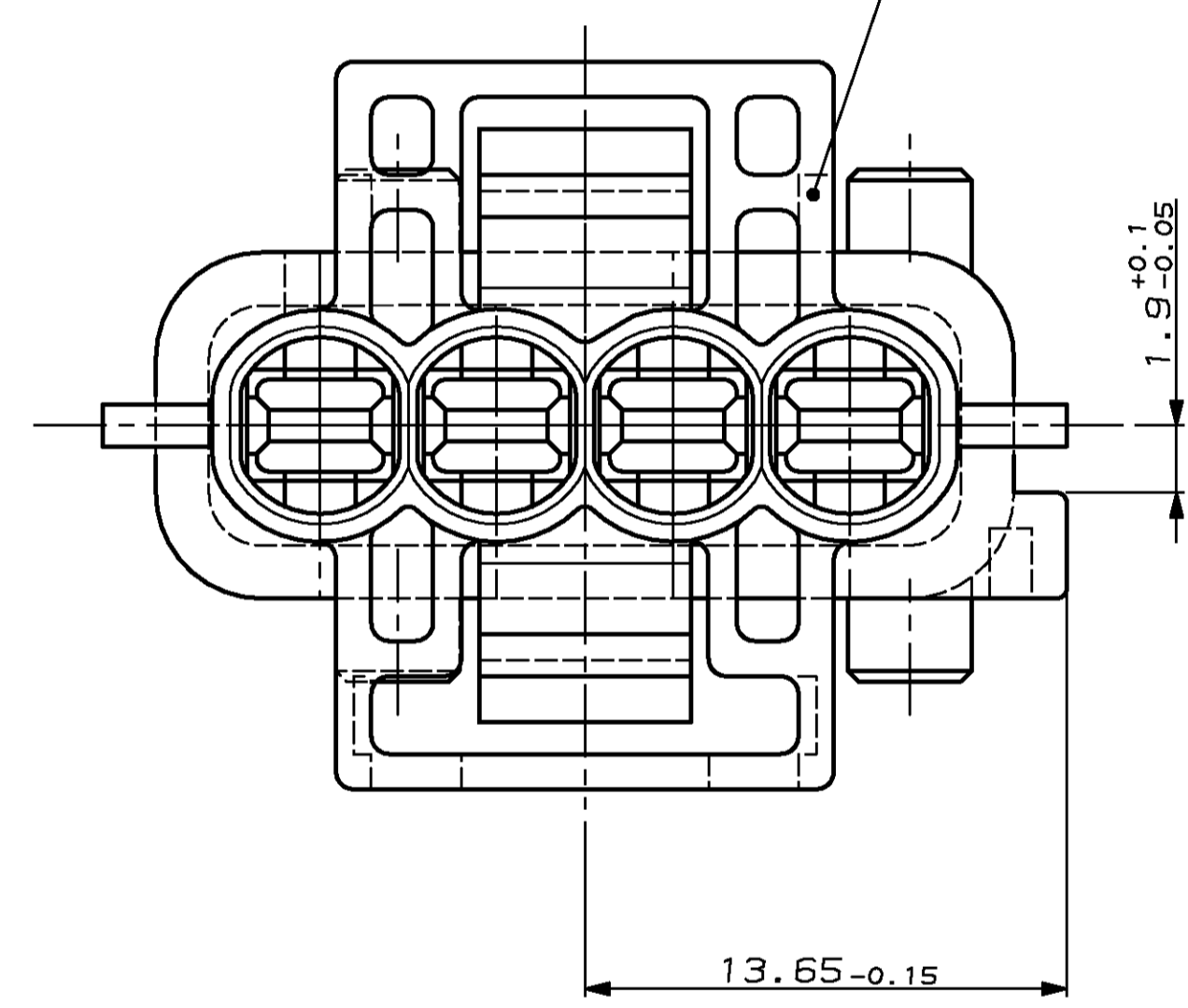
| | | |
|---|---|--|
| <small>THIS DRAWING IS UNCLASSIFIED AND IS RELEASED FOR PUBLICATION IT IS SUBJECT TO CHANGE AND THE CONTROLLING ENGINEERING DEPARTMENT SHALL BE CONTACTED FOR THE LATEST REVISION. DIMENSIONS SHOWN WITH TOLERANCES UNLESS OTHERWISE SPECIFIED. DIMENSIONS ARE GIVEN IN MILLIMETERS UNLESS OTHERWISE SPECIFIED. FOR DETAILS OF DIMENSIONING CONVENTIONS SEE THE APPROPRIATE DIMENSIONING STANDARDS.</small> | | DATE: 18.05.93 DRAWN: S. Garcia CHECKED: - APPROVED: - TITLE: 2.8mm FlaSt Gehäuse, 4pol. |
| DIMENSIONS: mm TOLERANCES UNLESS OTHERWISE SPECIFIED: h: ISO 9015 H: DIN 16801 - 140 - E D: RL 1 S: RL 2 FINISH/ÜBERFLÄCHE/FARBE: - | PRODUCT SPEC: 108-18102 APPLICATION SPEC: 114-18175 WEIGHT: - CUSTOMER DRAWING: /KUNDENZEICHNUNG | AMP tyco Electronics AMP GmbH D - 64625 Bensheim 2.8MM TAB HOUSING, 4POS. SIZE: A1 CAGE CODE: 00779 DRAWING NO.: 962340 REVISIONS: 1 von 2 DATE: 18.05.93 DRAWN: S. Garcia CHECKED: - APPROVED: - TITLE: 2.8mm FlaSt Gehäuse, 4pol. |

Blechausschnitt Kod. A1
 METAL CUTOUT COD. A1

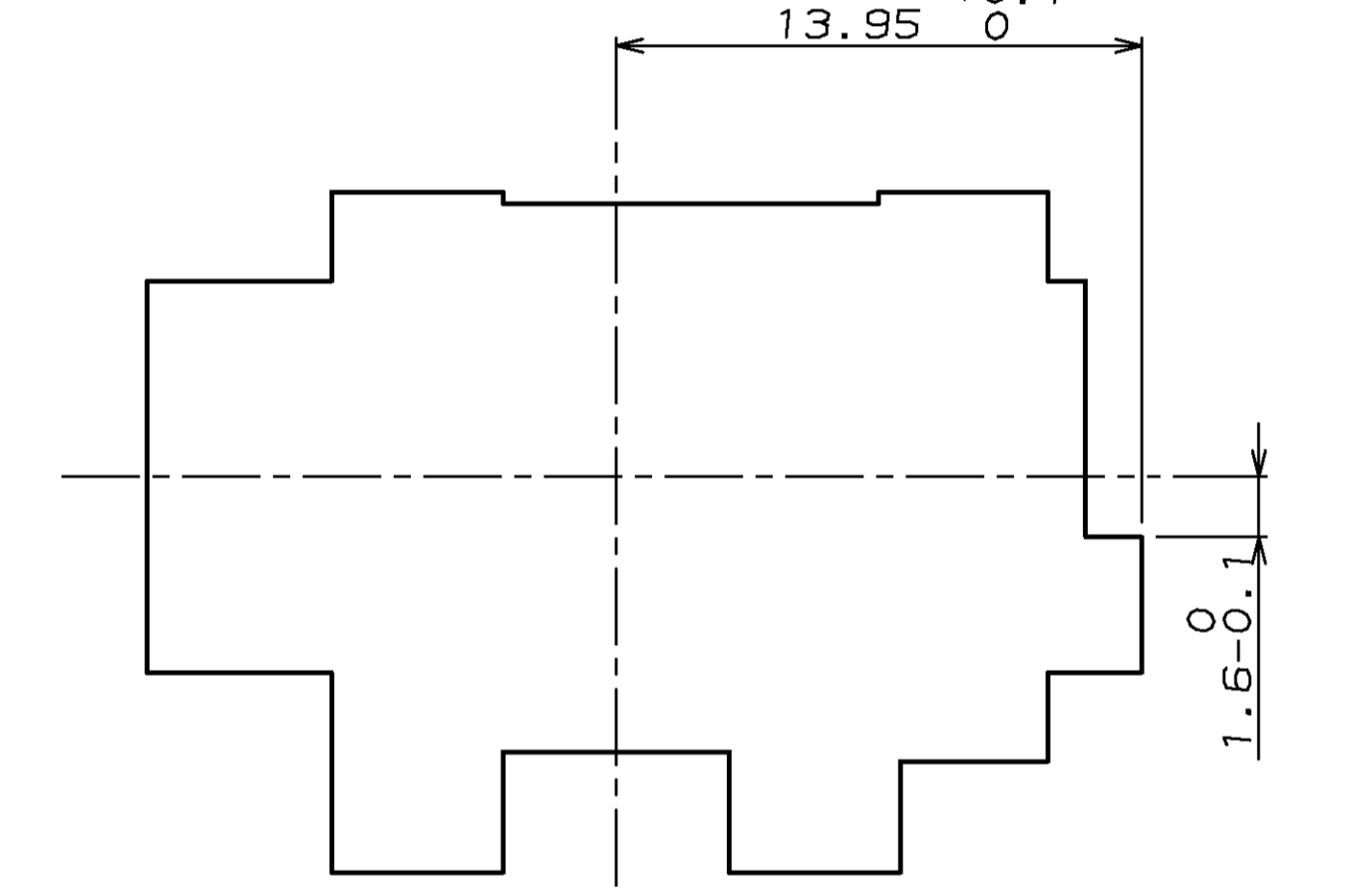


Blechausschnitt Kod. D1
 METAL CUTOUT COD. D1

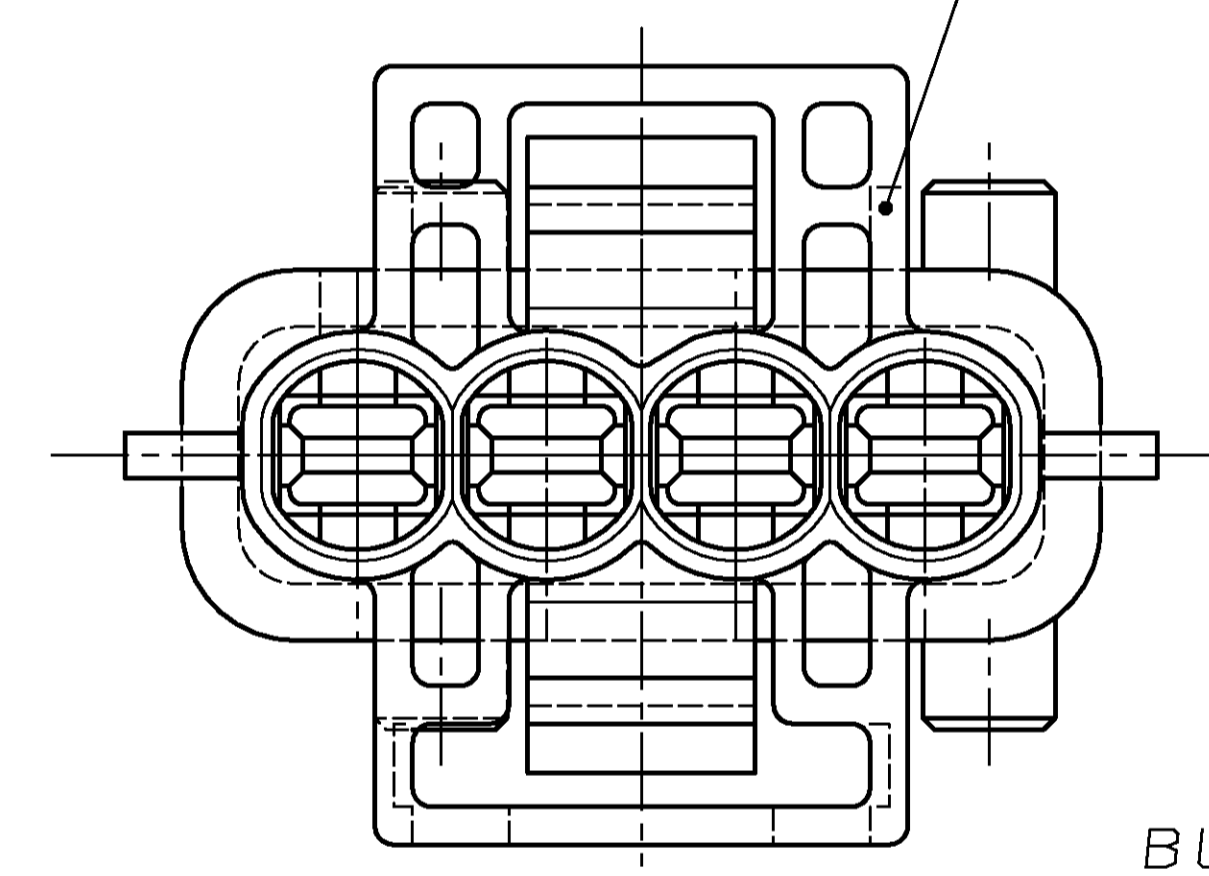
KODIERUNG B1
 CODING B1



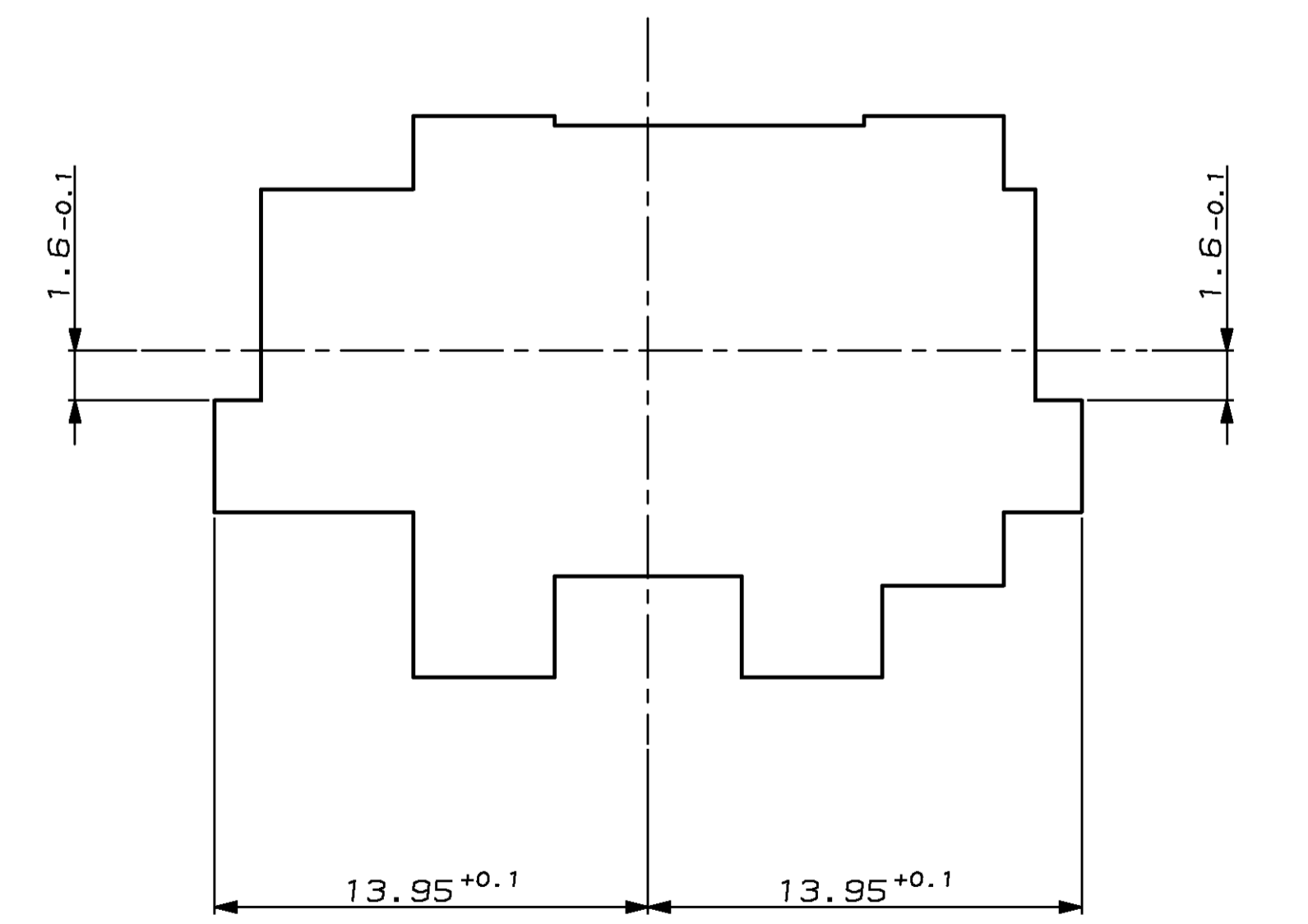
Blechausschnitt Kod. B1
 METAL CUTOUT COD. B1



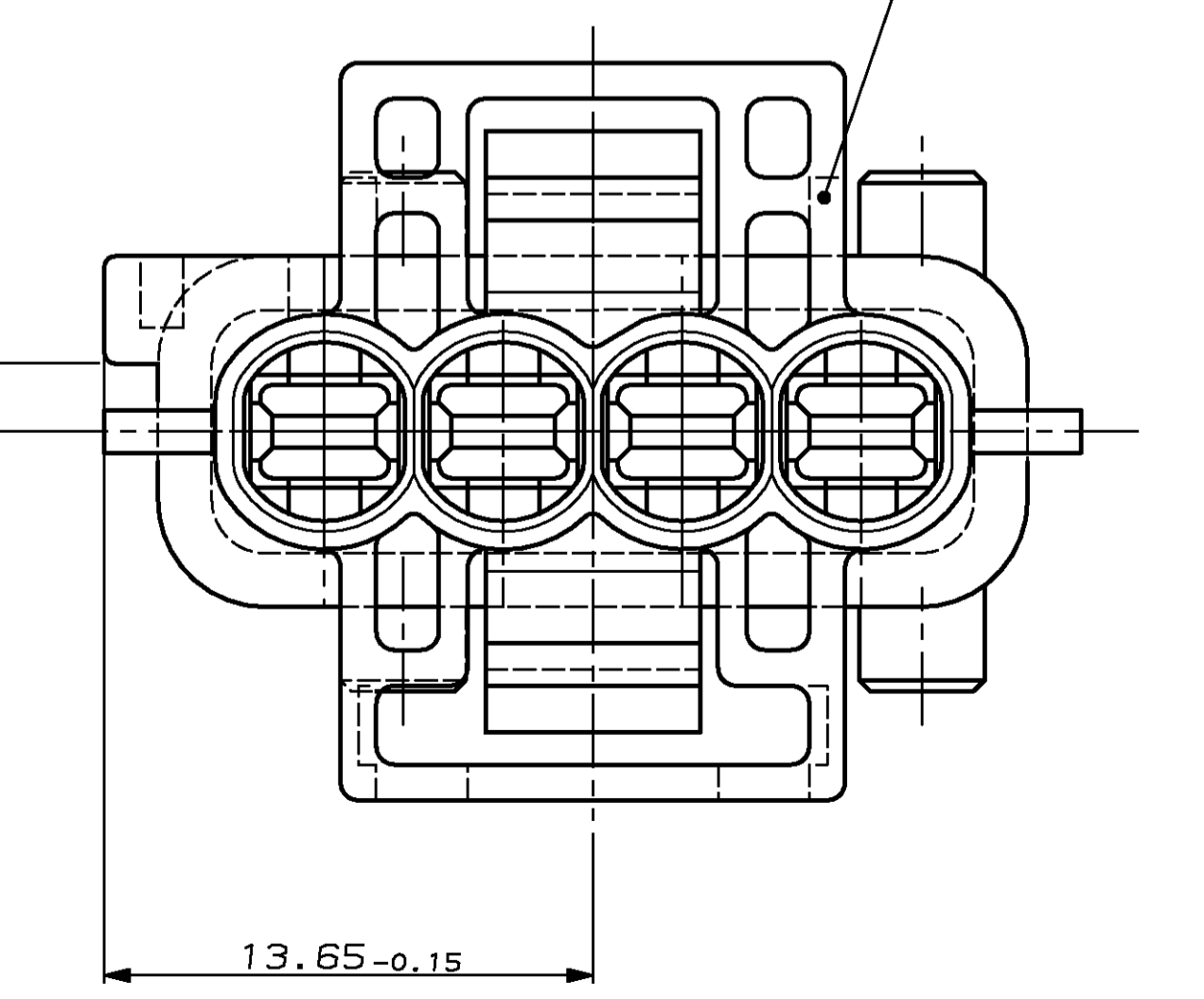
KODIERUNG N
 CODING N



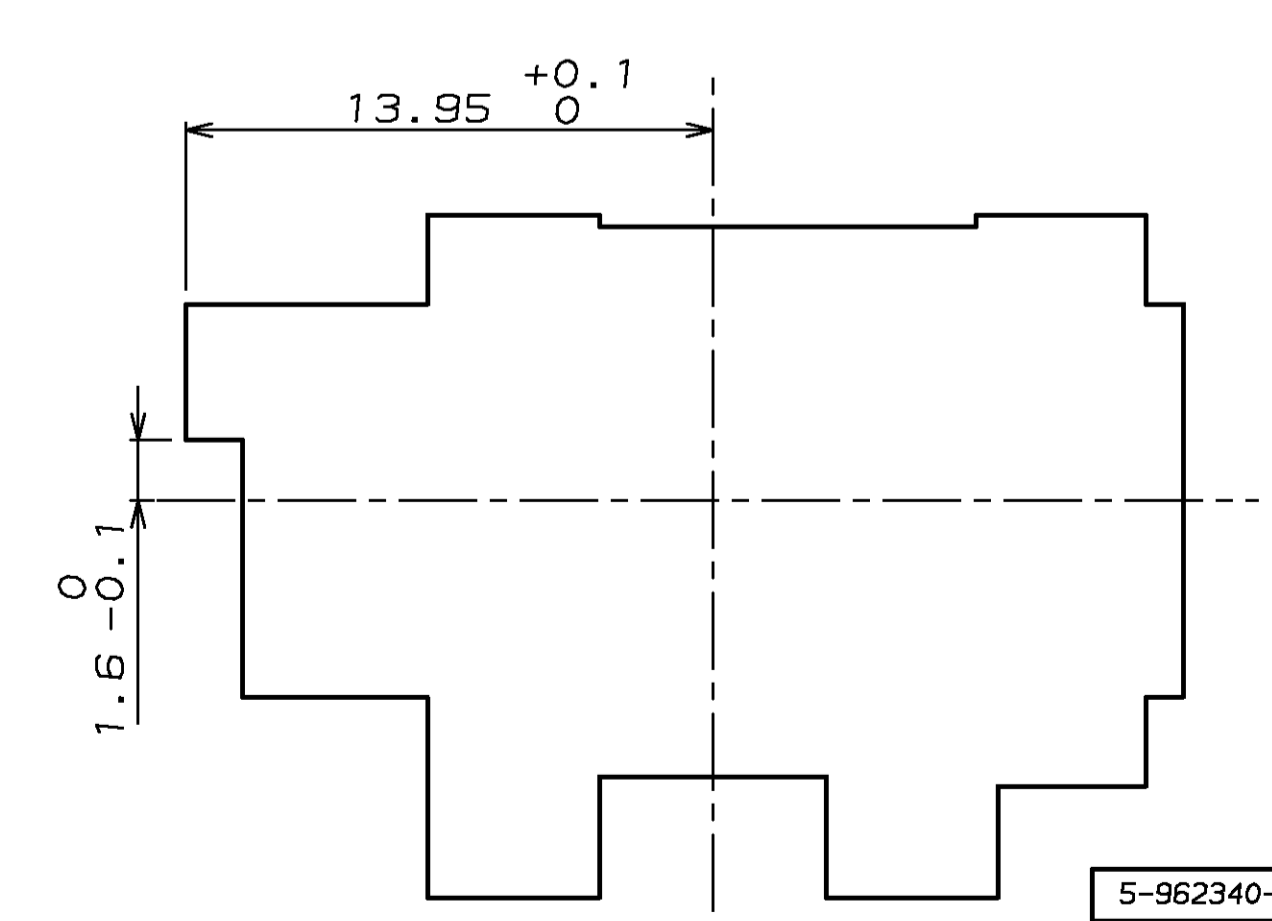
Blechausschnitt Kod. B1 u. D1
 METAL CUTOUT COD. B1 AND D1



KODIERUNG C1
 CODING C1



Blechausschnitt Kod. C1
 METAL CUTOUT COD. C1



| BESTELL-NR. | REV. | KODIERUNG | POS. | BENENNUNG EINZELTEIL | WERKSTOFF | OBERFLÄCHE FARBE |
|-------------|------|--------------|------|----------------------|-----------|------------------|
| 5-962340-1 | H | KODIERUNG N | 5 | 2.8mm FlaSt Geh, 4p | PBT-GF30 | weiß |
| 4-962340-2 | H | KODIERUNG D1 | 4 | 2.8mm FlaSt Geh, 4p | PBT-GF30 | grün |
| 4-962340-1 | H | KODIERUNG D1 | 4 | 2.8mm FlaSt Geh, 4p | PBT-GF30 | braun |
| 3-962340-2 | H | KODIERUNG C1 | 3 | 2.8mm FlaSt Geh, 4p | PBT-GF30 | grün |
| 3-962340-1 | H | KODIERUNG C1 | 3 | 2.8mm FlaSt Geh, 4p | PBT-GF30 | blau |
| 2-962340-1 | H | KODIERUNG B1 | 2 | 2.8mm FlaSt Geh, 4p | PBT-GF30 | grau |
| 1-962340-1 | H | KODIERUNG A1 | 1 | 2.8mm FlaSt Geh, 4p | PBT-GF30 | schwarz |

THIS DRAWING IS UNCLASSIFIED AND IS RELEASED FOR PUBLICATION
 UNTERE ZEICHNUNG UNKlassifiziert und ist freigegeben für die publikation
 DATE: 18.05.93
 BY AMP INCORPORATED, ALL RIGHTS RESERVED.
 PATENTED WITH PASSING ZU: 963207

DATE: 18.05.93
 S. Garcia
 tyco Electronics AMP GmbH
 D - 64625 Bensheim

AMP
 2.8mmFlaSt Gehäuse, 4pol.
 2.8MM TAB HOUSING, 4POS.

SIZE: A1
 Dwg No: 00779
 Part No: 962340

CUSTOMER DRAWING /KUNDENZEICHNUNG
 5,1 Blatt 2 von 2