



Triple Output TPB Models

High-Efficiency, Smaller-Package 25-40 Watt, DC/DC Converters

Features

- 25/30/35/40W output power
- Standard pinout! Smaller size!
- New 2" x 3" package fits 3" x 3" sockets
- Output Voltages: +5V \pm 12V or +5V \pm 15V
- Four input voltage ranges:
10-36V, 18-36V
18-72V, 36-72V
- High efficiencies (to 86%)
- Fully isolated (750Vdc min.)
- Thermal shutdown
- V_{OUT} trim and on/off control
- Safety approvals pending
- Modifications and customs available

DATEL's new TPB Model, 25-40 Watt, triple-output DC/DC power converters bring you efficient "on-board" power processing in a cost-effective smaller package with a standard pinout. The 2" x 3" TPB "footprint" conforms with the industry-standard pinout and pin geometries of most 3" x 3" devices (a 33% space savings) while delivering as much as 60% more power (40W vs. 25W).

Applicable to a wide range of telecom, computer and other OEM applications, TPB Model DC/DC's operate from four input voltage ranges (10-36V for "Q12" models, 18-36V for "D24" models, 18-72V for "Q48" models, and 36-72V for "D48" models). Available output voltages are +5 and \pm 12V or +5 and \pm 15V.

For improved reliability and affordability, DATEL uses contemporary, high-speed, automatic-assembly techniques to construct the TPB's traditional, field-proven, SMT-on-pcb designs. Devices employ corrosion-resistant steel cases with heavy aluminum top plates (traditionally referred to as baseplates). Heat generating transformer cores and power semiconductors are mounted directly to the baseplates, which also have threaded inserts for add-on heat sinks. Temperature derating information is provided for operation with and without heat sinks and forced air flow.

All devices feature input pi filters, input overvoltage shutdown, output overvoltage protection, output current limiting, and thermal shutdown. All units are temperature cycled, burned in and automatically tested prior to shipment. UL, CSA, EN and IEC compliance testing is currently under way as are full EMI/EMC characterizations. Contact DATEL for the latest available information.

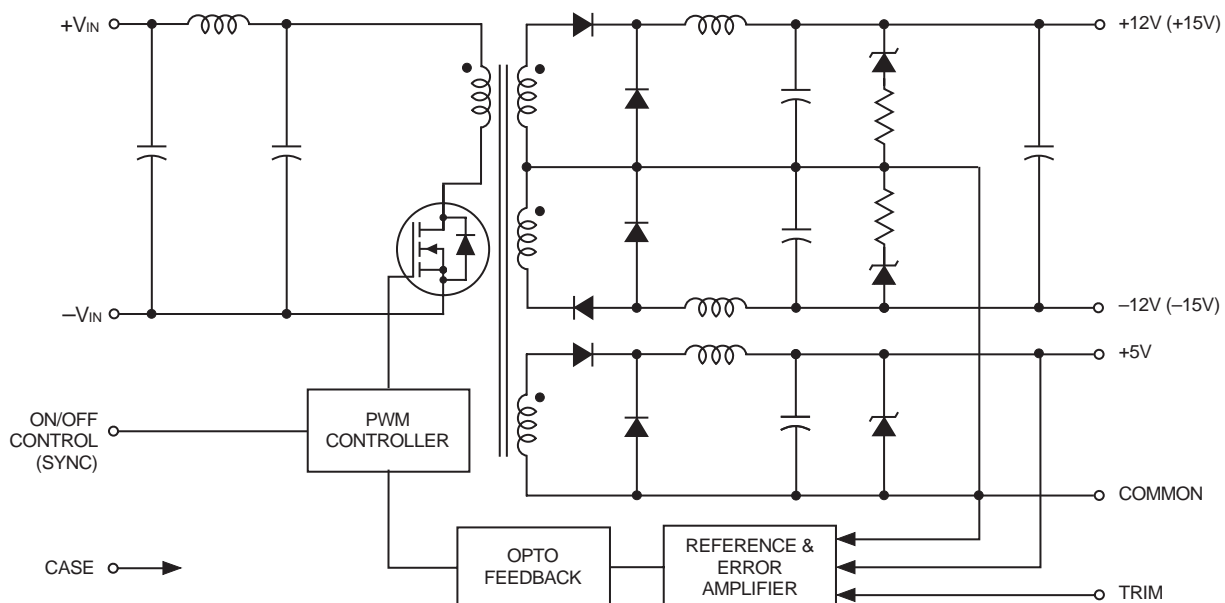


Figure 1. Simplified Schematic

Performance Specifications and Ordering Guide ①

Model	OUTPUT						INPUT			Efficiency		Package (Case, Pinout)
	V _{OUT} (Volts)	I _{OUT} (Amps)	R/N (mVp-p) ②		Regulation (Max.)		V _{IN} Nom. (Volts)	Range (Volts)	I _{IN} ④ (mA)	Min.	Typ.	
			Typ.	Max.	Line	Load ③						
TPB-5/5-12/1-Q12	+5	5	75	100	±1%	±1.5%	24	10-36	35/1240	81%	84%	C10, P16
	±12	±1	100	175	±8%	±8%						
TPB-5/5-12/1-D24	+5	5	75	100	±1%	±1.5%	24	18-36	35/1716	82%	85%	C10, P16
	±12	±1	100	175	±8%	±8%						
TPB-5/5-12/1-Q48	+5	5	75	100	±1%	±1.5%	48	18-72	20/737	82%	85%	C10, P16
	±12	±1	100	175	±8%	±8%						
TPB-5/5-12/1-D48	+5	5	50	100	±1%	±1.5%	48	36-72	25/967	83%	86%	C10, P16
	±12	±1	100	175	±8%	±8%						
TPB-5/5-15/1-Q12	+5	5	75	100	±1%	±1.5%	24	10-36	35/1238	82%	85%	C10, P16
	±15	±1	100	175	±8%	±8%						
TPB-5/5-15/1-D24	+5	5	75	100	±1%	±1.5%	24	18-36	35/1696	83%	86%	C10, P16
	±15	±1	100	175	±8%	±8%						
TPB-5/5-15/1-Q48	+5	5	75	100	±1%	±1.5%	48	18-72	20/735	82%	85%	C10, P16
	±15	±1	120	175	±8%	±8%						
TPB-5/5-15/1-D48	+5	5	75	100	±1%	±1.5%	48	36-72	25/981	82%	85%	C10, P16
	±15	±1	100	175	±8%	±8%						

① Typical at T_A = +25°C under nominal line voltage and "full-load" conditions unless otherwise noted. The specific combination of primary and auxiliary currents comprising "full load" varies with part number. See Output Power Considerations and Technical Notes for more details.

② Ripple/Noise (R/N) measured over a 20MHz bandwidth.

③ 10-100% load on the primary +5V output, 20-100% balanced loads on the auxiliary outputs.

④ Nominal line voltage, no-load/full-load conditions.

PART NUMBER STRUCTURE

TPB-5/5-12/1-D48

Output Configuration:
T = Triple

Power Package with Aluminum Baseplate

Nominal Primary Output Voltage (+5 Volts)

Maximum Primary Output Current in Amps

Input Voltage Range:

Q12 = 10-36 Volts (24V nom.)

D24 = 18-36 Volts (24V nom.)

Q48 = 18-72 Volts (48V nom.)

D48 = 36-72 Volts (48V nom.)

Maximum Auxiliary Output Currents in Amps from each output

Nominal Auxiliary Output Voltages (±12 or ±15 Volts)

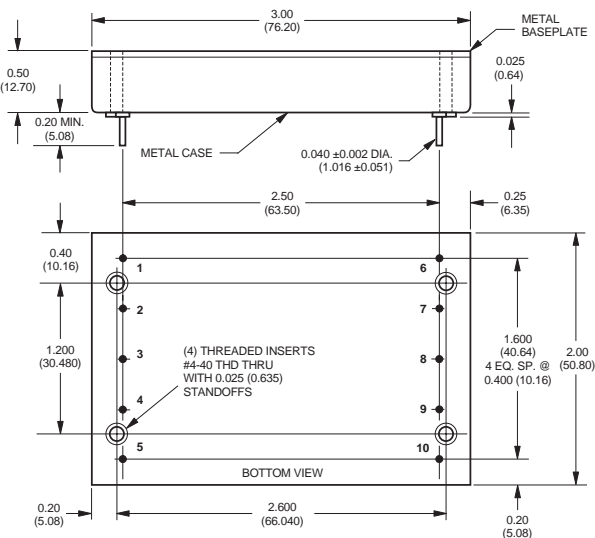
OUTPUT POWER CONSIDERATIONS

As shown below, TPB Model DC/DC Converters are classified by output power. For triple-output devices, the sum of the output power from the primary +5V output plus that from the two auxiliary (±12V or ±15V) outputs can not exceed the rated power. For example, "D24" models have a maximum power of 35W. Therefore, if you source the maximum primary current of 5A, the devices will only be able to provide 10W of total power from their auxiliary outputs.

Model	Maximum Output Power
"Q12"	25 Watts
"Q48"	30 Watts
"D24"	35 Watts
"D48"	40 Watts

MECHANICAL SPECIFICATIONS

Case C10

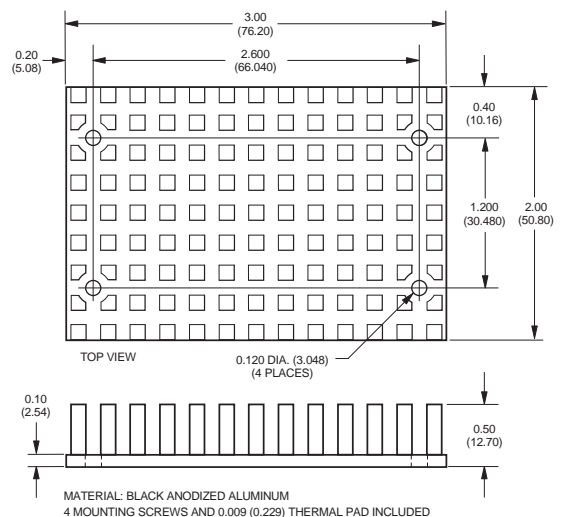


I/O Connections

Pin	Function P16
1	No Pin
2	-Input
3	+Input
4	Case
5	On/Off Control*
6	-12V/15V Out
7	+12V/15V Out
8	Common
9	+5V Out
10	Trim

* See note 3 on next page.

Optional Heat Sink (Part Number HS-23)



Performance/Functional Specifications

Typical @ T_A = +25°C under nominal line voltage and "full-load" conditions unless noted. ① ②

INPUT	
Input Voltage Range:	
"Q12" Models	10-36 Volts (24V nominal)
"D24" Models	18-36 Volts (24V nominal)
"Q48" Models	18-72 Volts (48V nominal)
"D48" Models	36-72 Volts (48V nominal)
Input Current	See Ordering Guide
Input Filter Type ③	Pi
Overvoltage Shutdown:	
"Q12" and "D24" Models	40 Volts
"Q48" and "D48" Models	79 Volts
Reverse-Polarity Protection	Yes (Instantaneous, 6A maximum)
On/Off Control (Pin 5) ④	TTL high (or open) = on, low = off
OUTPUT	
V_{OUT} Accuracy (50% load):	
+5V Output	±1%
±12V or ±15V Outputs	±3%
Temperature Coefficient	±0.02% per °C
Ripple/Noise (20MHz BW) ③	See Ordering Guide
Line/Load Regulation	See Ordering Guide
Efficiency	See Ordering Guide
Isolation Voltage	750Vdc, minimum
Isolation Capacitance	500pF
Current Limiting	Continuous, auto-recovery
Overvoltage Protection	Clamp, 2W transorb on each output
DYNAMIC CHARACTERISTICS	
Transient Response (50% load step)	300µsec max. to ±3% of final value
Switching Frequency	130kHz
ENVIRONMENTAL	
Operating Temperature (ambient):	
Without Derating	-25 to +50°C (model dependent)
With Derating	-25 to +95°C
Storage Temperature	-40 to +105°C
PHYSICAL	
Dimensions	2" x 3" x 0.5" (50.8 x 76.2 x 12.7mm)
Shielding	6-sided
Case Connection	Pin 4
Case Material	Tin-plated steel
Baseplate Material	Gold chromate aluminum
Pin Material	Brass, solder coated
Weight	3 ounces (85 grams)

① These converters require a minimum 10% loading on their primary output and 20% loading on each auxiliary output to maintain specified regulation. Operation under no-load conditions will not damage these devices; however they may not meet all listed specifications.

② "Full load" varies by part number and is determined by the input voltage range as indicated by the part number suffix. See Technical Notes and Output Power Considerations.

③ Application-specific input/output filtering can be added upon request. Contact DATEL Applications Engineering for details.

④ Applying a voltage to the On/Off Control pin when no input power is applied to the converter can cause permanent damage to the converter. If desired, the On/Off Control function can be replaced with a Sync function. See page 6 of this data sheet for more details.

ABSOLUTE MAXIMUM RATINGS

Input Voltage:	
"Q12/D24" Models	44 Volts
"Q48/D48" Models	83 Volts
Input Reverse-Polarity Protection	Current must be <6A. Brief duration only. Fusing recommended.
Output Overvoltage Protection	
+5V Outputs	6.8 Volts, limited duration
±12V Outputs	15 Volts, limited duration
±15V Outputs	18 Volts, limited duration
Output Current	Current limited. Max. current and short-circuit duration are model dependent.
Storage Temperature	-40 to +105°C
Lead Temperature (soldering, 10 sec.)	+300°C

These are stress ratings. Exposure of devices to any of these conditions may adversely affect long-term reliability. Proper operation under conditions other than those listed in the Performance/Functional Specifications Table is not implied.

TECHNICAL NOTES

Filtering and Noise Reduction

All TPB 25-40 Watt DC/DC Converters achieve their rated ripple and noise specifications without the use of external input/output capacitors. In critical applications, input/output ripple and noise may be further reduced by installing electrolytic capacitors across the input terminals and/or low-ESR tantalum or electrolytic capacitors across the output terminals. Output capacitors should be connected between their respective output pin (pin 6, 7 or 9) and Common (pin 8). The caps should be located as close to the power converters as possible. Typical values are listed in the tables below. In most applications, using values greater than those listed will yield better results.

To Reduce Input Ripple

"Q12, D24" Models	47µF, 50V
"Q48, D48" Models	10µF, 100V

To Reduce Output Ripple

+5V Output	47µF, 10V, Low ESR
±12/15V Outputs	22µF, 20V, Low ESR

In critical, space-sensitive applications, DATEL can easily tailor the internal input/output filtering of these devices to meet your specific requirements. Contact our Applications Engineering Group for additional details.

Input Fusing

Certain applications and/or safety agencies may require the installation of fuses at the inputs of power conversion components. For DATEL TPB DC/DC Converters, you should use slow-blow type fuses with values no greater than the following:

V _{IN} Range	Fuse Value
"Q12"	4A
"D24"	4A
"Q48"	3A
"D48"	2A

Temperature Derating and Electrical Performance Curves

Q12 Models (25 Watts)

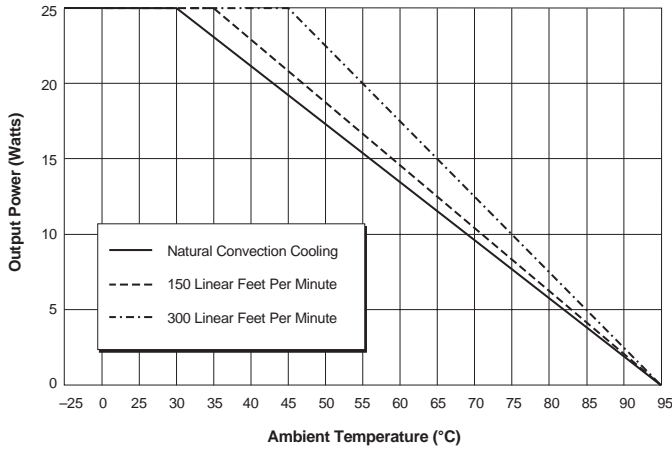


Figure 2a. Temperature Derating Without Heat Sink

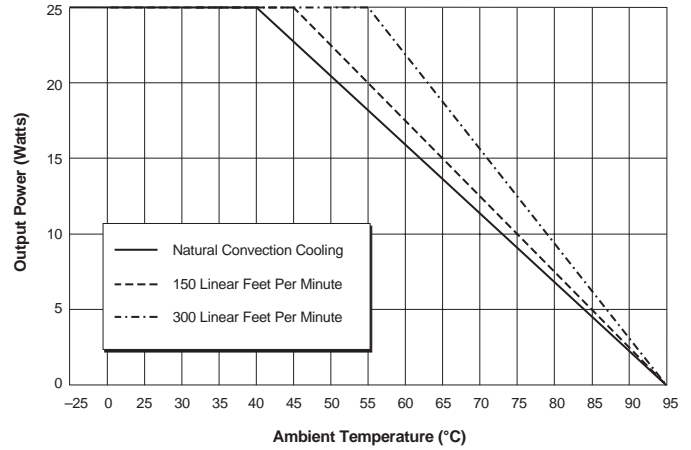


Figure 2b. Temperature Derating With Heat Sink

Q48 Models (30 Watts)

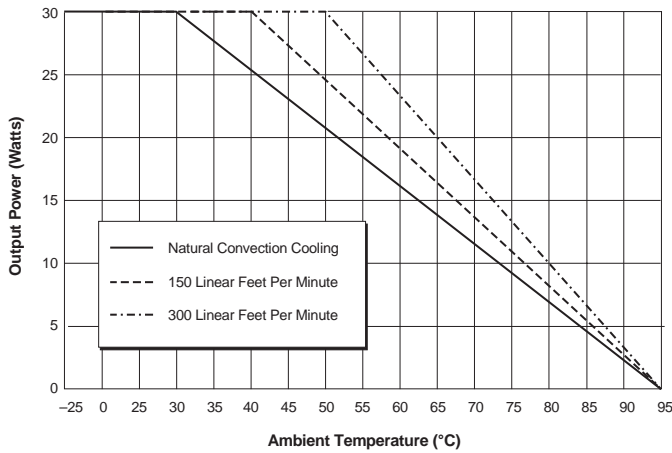


Figure 3a. Temperature Derating Without Heat Sink

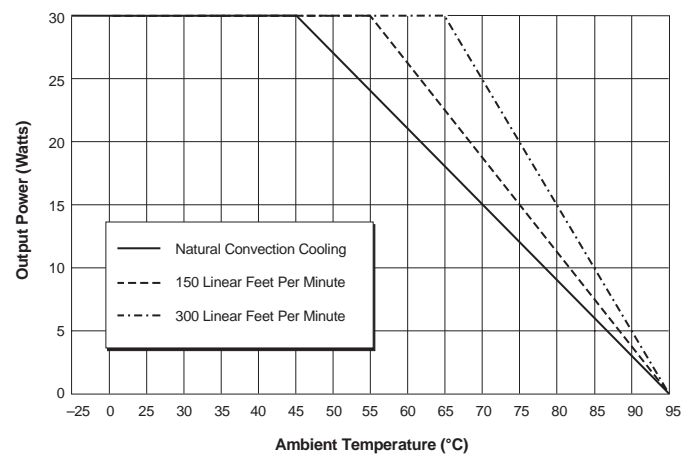


Figure 3b. Temperature Derating With Heat Sink

D24 Models (35 Watts)

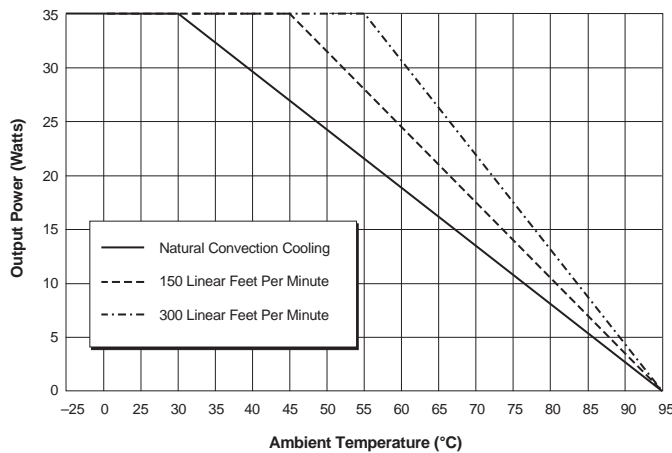


Figure 4a. Temperature Derating Without Heat Sink

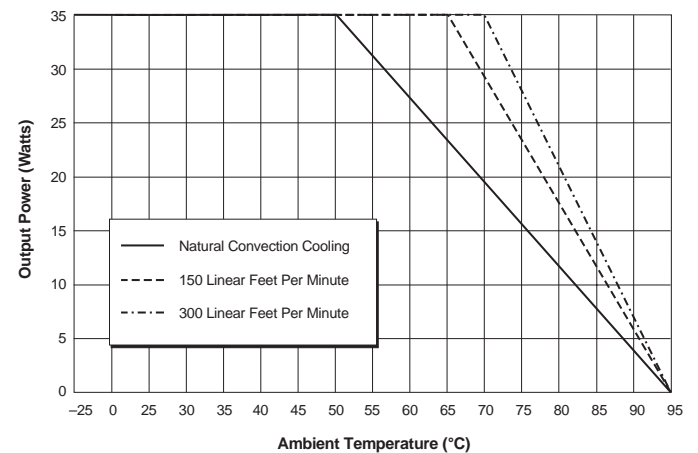


Figure 4b. Temperature Derating With Heat Sink

Temperature Derating and Electrical Performance Curves

D48 Models (40 Watts)

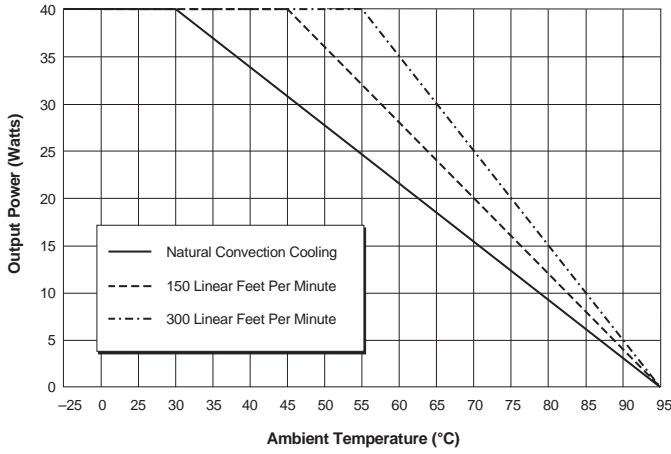


Figure 5a. Temperature Derating Without Heat Sink

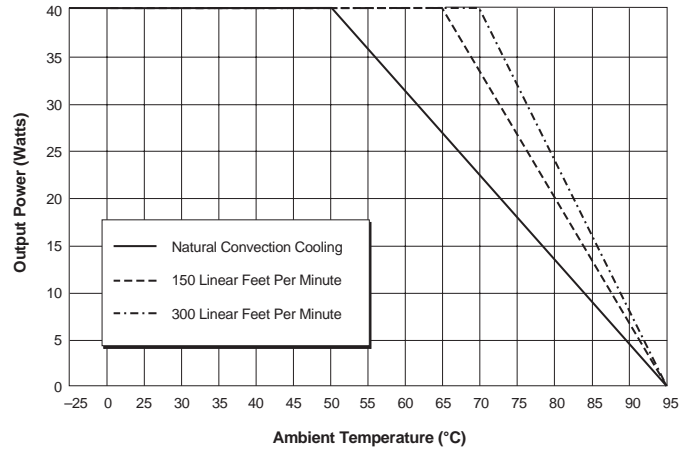


Figure 5b. Temperature Derating With Heat Sink

Output Power

TPB Model, triple-output DC/DC converters incorporate a design tradeoff between total available output power and input voltage range. In general, devices with "wider" input voltage ranges (approximately 4:1) have less available output power than those with more "narrow" (2:1) input ranges. Similarly, those devices with lower nominal input voltages (24V) have less available total output power than those with higher nominal input voltages (48V). Each device, as indicated by its part-number suffix (Q12, Q48, D24, D48) has a total output power limitation of 25, 30, 35 or 40 Watts, respectively. Observing these power limitations is the responsibility of the user.

As indicated by its Part Number Structure, each TPB device is capable of sourcing up to 5 Amps of +5V current as well as ±1 Amp of auxiliary (±12V

or ±15V) currents. Users have the flexibility of loading any output up to these limits; however, you must be extremely careful not to exceed the total output power rating of any given device. If, for example, a device with a 30W power rating is sourcing 5A from its +5V output (representing 25W of primary output power), that device can only supply an additional 5W from its auxiliary outputs (±167mA from ±15V outputs or ±208mA from ±12V outputs).

As a consequence of this "power-allocation" flexibility, the definition of "full load," as the condition under which performance specifications are tested and listed, is ambiguous. The following table lists the primary and auxiliary output currents that DATEL uses to define each device's "full load."

Model Number	Voltage Range	Output Power	Definition of "Full Load" for Specification Purposes		
			+5V Current	±12V Currents	±15V Currents
TPB-5/5-12/1-Q12	10-36V	25 Watts	2.6A (13W)	±500mA (12W)	–
TPB-5/5-12/1-Q48	18-72V	30 Watts	4A (20W)	±625mA (15W)	–
TPB-5/5-12/1-D24	18-36V	35 Watts	3A (15W)	±625mA (15W)	–
TPB-5/5-12/1-D48	36-72V	40 Watts	4A (20W)	±830mA (19.9W)	–
TPB-5/5-15/1-Q12	10-36V	25 Watts	2.5A (12.5W)	–	±425mA (12.75W)
TPB-5/5-15/1-Q48	18-72V	30 Watts	4A (20W)	–	±500mA (15W)
TPB-5/5-15/1-D24	18-36V	35 Watts	3A (15W)	–	±500mA (15W)
TPB-5/5-15/1-D48	36-72V	40 Watts	4A (20W)	–	±667mA (20W)

Table 1. Output Currents Comprising "Full Load"

On/Off Control (Standard)

The On/Off Control pin (pin 5) may be used for remote on/off operation. A TTL logic high (+2 to +5 Volts, 250µA max.) or no connection (open) applied to pin 5 enables the converter. A TTL logic low (0 to +0.8 Volts, 70µA max.) disables the converter. Control voltages should be referenced to pin 2 (-Input). Applying a voltage to the Control pin when no input power is applied to the converter can cause permanent damage to the converter.

Synchronization (Optional)

In critical applications employing multiple switching DC/DC converters, it may be desirable to intentionally synchronize the switching of selected converters (so the system noise can be reduced with notch filtering) or to purposely desynchronize the converters (to lessen the current-carrying requirements on intermediate dc buses). TPB DC/DC Converters have been designed so that the On/Off Control function on pin 5 can be replaced with a Sync function. This change has to be implemented by DATEL during the product assembly process. Contact our Applications Engineering Group for additional details.

To synchronize the switching of multiple TPB converters configured with the Sync function, an external clock can be applied to pin 5 of each device. The clock should be a square wave with a maximum 1µsec "high" duration and an amplitude between +2V and +5V (see On/Off Control) referenced to pin 2 (-Input). The frequency of the synchronizing clock should be higher than that of any individual converter. Therefore, it should be 180kHz ±5kHz.

Output Trimming

The +5V output may be trimmed ±5% via a single external trimpot or fixed resistor. The trimpot should be connected as shown in Figure 2a with its wiper connected to pin 10 (Trim). A trimpot can also be used to determine the value of a single fixed resistor which should be connected as shown in Figure 2b. Connect the resistor between pin 10 (Trim) and pin 9 (+5V Output) to trim "down" the output voltage. Connect the resistor between pins 10 and 8 (Common) to trim "up" the output voltage. Fixed resistors should be metal-film types with absolute TCR's less than 100ppm/°C to ensure stability.

Case Connection

Unlike most other DC/DC converters, TPB DC/DC's do not have their metal case connected to one of their input pins. The "uncommitted" case is connected to pin 4 which, depending on your system configuration, should be connected to either +Input (pin 3) or -Input (pin 2).

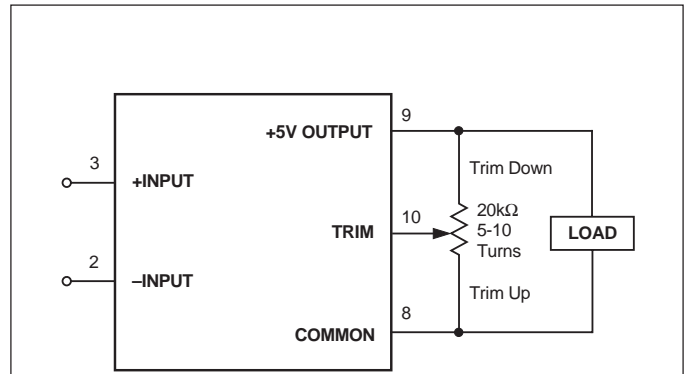


Figure 2a. Trim Connections Using a Trimpot

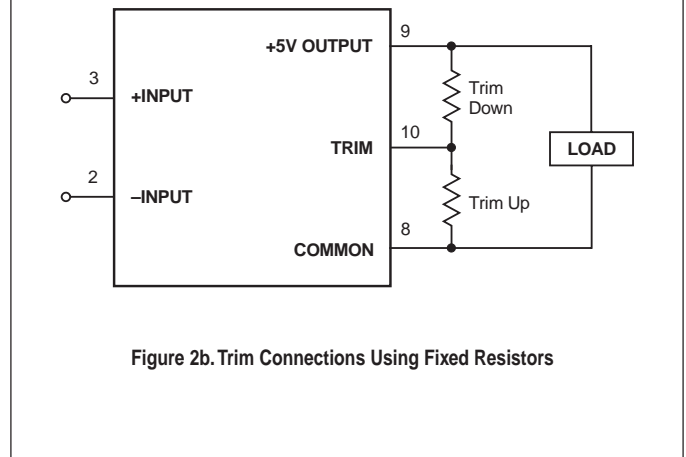


Figure 2b. Trim Connections Using Fixed Resistors