

Fox Part Number: 603-25-173

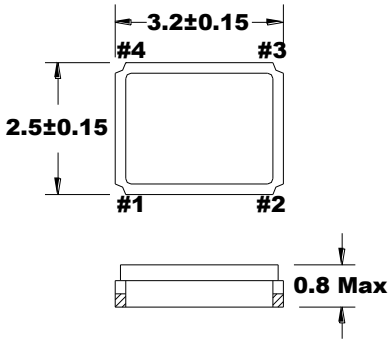


CERAMIC, SEAM-SEALED, SMD, CRYSTAL
MODEL: FX325BS Series
RoHS Compliant / Pb Free

For Use with IDT Part Numbers:

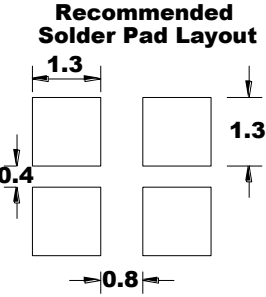
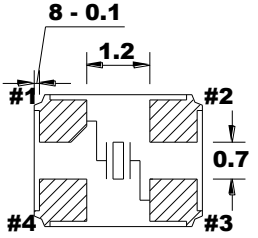
ICS843252-04	IDT8V41N012I
ICS844441I	IDT8V43042
ICS845264I	IDT8V49N211I
IDT840NT4-01I	IDT8V49N231I

B. Mechanical / Dimensions (millimeters):



A. Specifications

Parameters	
Frequency	25.000 MHz
Resonance Mode	Fundamental
Frequency Tolerance @ 25°C	±20 PPM Max
Frequency Stability, ref @ 25°C Over Operating Temp. Range	±20 PPM Max
Temperature Range	
Operating (T _{OPR})	-40°C ~ +85°C
Storage (T _{STG})	-40°C ~ +85°C
Equivalent Series Resistance (ESR)	<50 Ohms Max
Shunt Capacitance (C _O)	5 pF Max
Load Capacitance (C _L)	12 pF
Drive Level	0.1 mW Max
Aging per year	±5 PPM Max
Maximum Soldering Temp / Time	260°C / 10 Seconds
Moisture Sensitivity Level (MSL)	1
Termination Finish:	Au
Weight (TYP)	16.75 mg

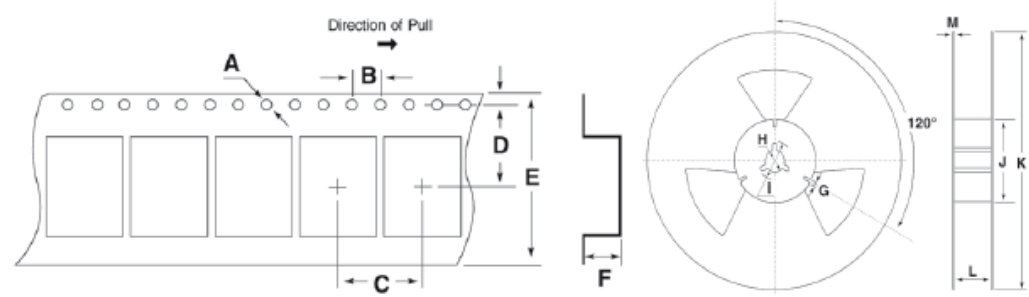


• TAPE SPECIFICATIONS (millimeters)

MODEL	A	B	C	D	E	F	STD Reel QTY
FX325BS	∅1.5	4.0	4.0	3.5	8.0	1.3	3,000

• REEL SPECIFICATIONS (millimeters)

MODEL	G	H	I	J	K	L	M
FX325BS	2.0	∅13	∅21	∅80	∅180	9.0	2.0



NOTE: The above specifications, having been carefully prepared and checked, is believed to be accurate at the time of publication; however, no responsibility is assumed by Fox Electronics for inaccuracies.

Reference / Comments	Title / Description: Product Specifications		
Initial release	Drawing Number: DWG-7873	Rev: A	Size: A
	Part Number: 603-25-173		Cage: 61429
	Draftsperson: MK	Approved: RB	Date: 10-06-2017