

Low V_{IN} , 8A DC/DC μ Module Regulator with Tracking, Margining, and Frequency Synchronization

FEATURES

- Complete Standalone Power Supply
- $\pm 1.75\%$ Total DC Output Error (-55°C to 125°C)
- 2.7V to 5.5V Input Voltage Range
- 8A DC, 10A Peak Output Current
- 0.6V Up to 5V Output
- Output Voltage Tracking and Margining
- Power Good Tracks Margining
- Multiphase Operation
- Parallel Current Sharing
- Onboard Frequency Synchronization
- Spread Spectrum Frequency Modulation
- Overcurrent/Thermal Shutdown Protection
- Current Mode Control/Fast Transient Response
- Selectable Burst Mode[®] Operation
- Up to 95% Efficiency
- Output Overvoltage Protection
- 9mm \times 15mm \times 2.82mm LGA and 9mm \times 15mm \times 3.42mm BGA Packages

APPLICATIONS

- Telecom, Networking and Industrial Equipment
- Storage Systems
- Point of Load Regulation

LT, LT, LTC, LTM, Linear Technology, the Linear logo, Burst Mode, μ Module and PolyPhase are registered trademarks and LTpowerCAD is a trademark of Linear Technology Corporation. All other trademarks are the property of their respective owners. Protected by U.S. Patents including 5481178, 6580258, 6304066, 6127815, 6498466, 6611131.

DESCRIPTION

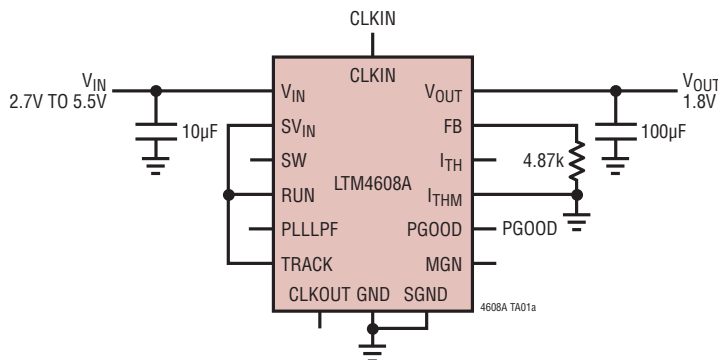
The **LTM[®]4608A** is a complete 8A switch mode DC/DC power supply with $\pm 1.75\%$ total output voltage error. Included in the package are the switching controller, power FETs, inductor and all support components. Operating over an input voltage range of 2.7V to 5.5V, the LTM4608A supports an output voltage range of 0.6V to 5V, set by a single external resistor. This high efficiency design delivers up to 8A continuous current (10A peak). Only bulk input and output capacitors are needed to complete the design.

The low profile package (2.82mm) enables utilization of unused space on the back side of PC boards for high density point-of-load regulation. The 0.630mm LGA pads with 1.27mm pitch simplify PCB layout by providing standard trace routing and via placement. The high switching frequency and current mode architecture enable a very fast transient response to line and load changes without sacrificing stability. The device supports frequency synchronization, programmable multiphase and/or spread spectrum operation, output voltage tracking for supply rail sequencing and voltage margining.

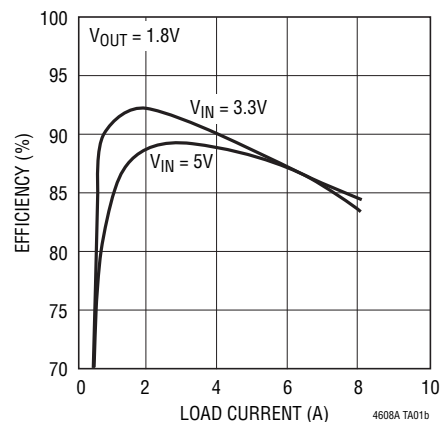
Fault protection features include overvoltage protection, overcurrent protection and thermal shutdown. The LTM4608A is offered in 9mm \times 15mm \times 2.82mm LGA and 9mm \times 15mm \times 3.42mm BGA packages. The LTM4608A is available with SnPb (BGA) or RoHS compliant terminal finish.

TYPICAL APPLICATION

2.7V to 5.5V Input to 1.8V Output DC/DC μ Module[®] Regulator



Efficiency vs Load Current



LTM4608A

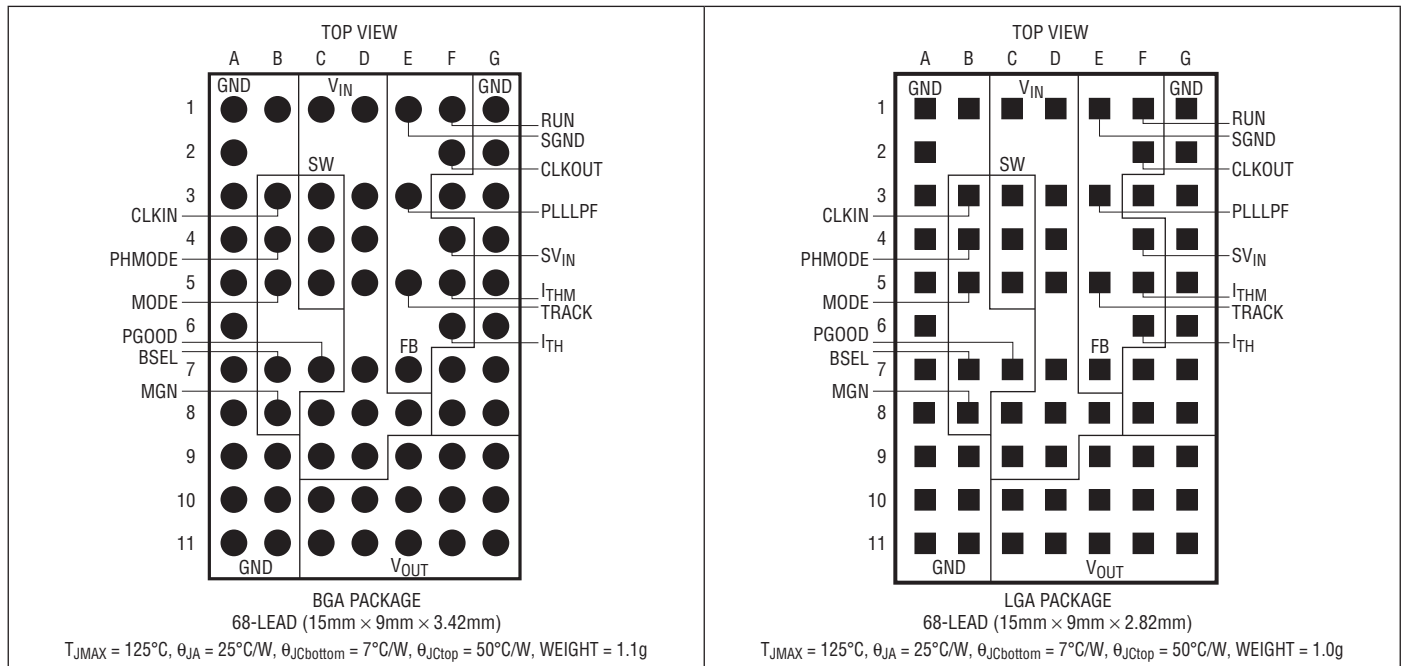
ABSOLUTE MAXIMUM RATINGS

(Note 1)

V_{IN} , SV_{IN}	-0.3V to 6V
CLKOUT	-0.3V to 2V
PGOOD, PLLLPF, CLKIN, PHMODE, MODE ..	-0.3V to V_{IN}
I_{TH} , I_{THM} , RUN, FB, TRACK, MGN, BSEL.....	-0.3V to V_{IN}
V_{OUT} , SW	-0.3V to ($V_{IN} + 0.3V$)

Internal Operating Temperature Range (Note 2).....	-55°C to 125°C
Storage Temperature Range	-55°C to 125°C
Peak Solder Reflow Body Temperature	245°C

PIN CONFIGURATION



ORDER INFORMATION

PART NUMBER	PAD OR BALL FINISH	PART MARKING*		PACKAGE TYPE	MSL RATING	TEMPERATURE RANGE (SEE NOTE 2)
		DEVICE	FINISH CODE			
LTM4608AEV#PBF	Au (RoHS)	LTM4608AV	e4	LGA	3	-40°C to 125°C
LTM4608AIV#PBF		LTM4608AV				
LTM4608AMPV#PBF		LTM4608AMPV				-55°C to 125°C
LTM4608AEY#PBF	SAC305 (RoHS)	LTM4608AY	e1	BGA	3	-40°C to 125°C
LTM4608AIY#PBF		LTM4608AY				
LTM4608AMPY#PBF		LTM4608AY				-55°C to 125°C
LTM4608AMPY	SnPb (63/37)	LTM4608AY	e0			

- Consult Marketing for parts specified with wider operating temperature ranges. *Pad or ball finish code is per IPC/JEDEC J-STD-609.
- Device temperature grade is indicated by a label on the shipping container.
- Terminal Finish Part Marking: www.linear.com/leadfree
- Recommended LGA and BGA PCB Assembly and Manufacturing Procedures: www.linear.com/umodule/pcbassembly
- LGA and BGA Package and Tray Drawings: www.linear.com/packaging

4608afe

ELECTRICAL CHARACTERISTICS

The ● denotes the specifications which apply over the specified internal operating temperature range (Note 2), otherwise specifications are at $T_A = 25^\circ\text{C}$. $V_{IN} = 5\text{V}$ unless otherwise noted. See Figure 1.

SYMBOL	PARAMETER	CONDITIONS	MIN	TYP	MAX	UNITS	
$V_{IN(DC)}$	Input DC Voltage		● 2.7		5.5	V	
$V_{OUT(DC)}$	Output Voltage, Total Variation with Line and Load	$C_{IN} = 10\mu\text{F} \times 1$, $C_{OUT} = 100\mu\text{F}$ Ceramic, $100\mu\text{F}$ POSCAP, $R_{FB} = 6.65\text{k}$, $\text{MODE} = 0\text{V}$ $V_{IN} = 2.7\text{V}$ to 5.5V , $I_{OUT} = I_{OUT(DC)MIN}$ to $I_{OUT(DC)MAX}$ (Note 3)	● 1.472 1.464	1.49 1.49	1.508 1.516	V V	
Input Specifications							
$V_{IN(UVLO)}$	Undervoltage Lockout Threshold	SV_{IN} Rising SV_{IN} Falling	2.05 1.85	2.2 2.0	2.35 2.15	V V	
$I_{Q(VIN)}$	Input Supply Bias Current	$V_{IN} = 3.3\text{V}$, No Switching, $\text{MODE} = V_{IN}$ $V_{IN} = 3.3\text{V}$, No Switching, $\text{MODE} = 0\text{V}$ $V_{IN} = 3.3\text{V}$, $V_{OUT} = 1.5\text{V}$, Switching Continuous $V_{IN} = 5\text{V}$, No Switching, $\text{MODE} = V_{IN}$ $V_{IN} = 5\text{V}$, No Switching, $\text{MODE} = 0\text{V}$ $V_{IN} = 5\text{V}$, $V_{OUT} = 1.5\text{V}$, Switching Continuous Shutdown, $\text{RUN} = 0$, $V_{IN} = 5\text{V}$		400 1.15 55 450 1.3 75 1		μA mA mA μA mA mA μA	
$I_S(VIN)$	Input Supply Current	$V_{IN} = 3.3\text{V}$, $V_{OUT} = 1.5\text{V}$, $I_{OUT} = 8\text{A}$ $V_{IN} = 5\text{V}$, $V_{OUT} = 1.5\text{V}$, $I_{OUT} = 8\text{A}$		4.5 2.93		A A	
Output Specifications							
$I_{OUT(DC)}$	Output Continuous Current Range (Note 3)	$V_{OUT} = 1.5\text{V}$ $V_{IN} = 3.3\text{V}, 5.5\text{V}$ $V_{IN} = 2.7\text{V}$	0 0		8 5	A A	
$\frac{\Delta V_{OUT(LINE)}}{V_{OUT}}$	Line Regulation Accuracy	$V_{OUT} = 1.5\text{V}$, V_{IN} from 2.7V to 5.5V , $I_{OUT} = 0\text{A}$	●	0.1	0.25	%/V	
$\frac{\Delta V_{OUT(LOAD)}}{V_{OUT}}$	Load Regulation Accuracy	$V_{OUT} = 1.5\text{V}$ (Note 3) $V_{IN} = 3.3\text{V}, 5.5\text{V}$, $I_{LOAD} = 0\text{A}$ to 8A $V_{IN} = 2.7\text{V}$, $I_{LOAD} = 0\text{A}$ to 5A	● ●	0.3 0.3	0.75 0.75	% %	
$V_{OUT(AC)}$	Output Ripple Voltage	$I_{OUT} = 0\text{A}$, $C_{OUT} = 100\mu\text{F}$ X5R Ceramic, $V_{IN} = 5\text{V}$, $V_{OUT} = 1.5\text{V}$		10		mV _{P-P}	
f_S	Switching Frequency	$I_{OUT} = 8\text{A}$, $V_{IN} = 5\text{V}$, $V_{OUT} = 1.5\text{V}$		1.25	1.5	1.75	MHz
f_{SYNC}	SYNC Capture Range			0.75	2.25	MHz	
$\Delta V_{OUT(START)}$	Turn-On Overshoot	$C_{OUT} = 100\mu\text{F}$, $V_{OUT} = 1.5\text{V}$, $I_{OUT} = 0\text{A}$ $V_{IN} = 3.3\text{V}$ $V_{IN} = 5\text{V}$		10 10		mV mV	
t_{START}	Turn-On Time	$C_{OUT} = 100\mu\text{F}$, $V_{OUT} = 1.5\text{V}$, $V_{IN} = 5\text{V}$, $I_{OUT} = 1\text{A}$ Resistive Load, $\text{Track} = V_{IN}$,		100		μs	
$\Delta V_{OUT(LS)}$	Peak Deviation for Dynamic Load	Load: 0% to 50% to 0% of Full Load, $C_{OUT} = 100\mu\text{F}$ Ceramic, $100\mu\text{F}$ POSCAP, $V_{IN} = 5\text{V}$, $V_{OUT} = 1.5\text{V}$		15		mV	
t_{SETTLE}	Settling Time for Dynamic Load Step	Load: 0% to 50% to 0% of Full Load, $V_{IN} = 5\text{V}$, $V_{OUT} = 1.5\text{V}$, $C_{OUT} = 100\mu\text{F}$		10		μs	
$I_{OUT(PK)}$	Output Current Limit	$C_{OUT} = 100\mu\text{F}$ $V_{IN} = 2.7\text{V}$, $V_{OUT} = 1.5\text{V}$ $V_{IN} = 3.3\text{V}$, $V_{OUT} = 1.5\text{V}$ $V_{IN} = 5\text{V}$, $V_{OUT} = 1.5\text{V}$		8 11 13		A A A	

ELECTRICAL CHARACTERISTICS

The ● denotes the specifications which apply over the specified internal operating temperature range (Note 2), otherwise specifications are at $T_A = 25^\circ\text{C}$. $V_{IN} = 5\text{V}$ unless otherwise noted. See Figure 1.

SYMBOL	PARAMETER	CONDITIONS	MIN	TYP	MAX	UNITS
Control Section						
V_{FB}	Voltage at FB Pin	$I_{OUT} = 0\text{A}$, $V_{OUT} = 1.5\text{V}$, $V_{IN} = 2.7\text{V}$ to 5.5V	● 0.590 0.587	0.596 0.596	0.602 0.606	V V
SS Delay	Internal Soft-Start Delay			90		μs
I_{FB}				0.2		μA
V_{RUN}	RUN Pin On/Off Threshold	RUN Rising RUN Falling	1.4 1.3	1.55 1.4	1.7 1.5	V V
TRACK	Tracking Threshold (Rising) Tracking Threshold (Falling) Tracking Disable Threshold	RUN = V_{IN} RUN = 0V		0.57 0.18 $V_{IN} - 0.5$		V V V
R_{FBHI}	Resistor Between V_{OUT} and FB Pins		9.95	10	10.05	$\text{k}\Omega$
ΔV_{PGOOD}	PGOOD Range			± 10		%
%Margining	Output Voltage Margining Percentage	MGN = V_{IN} , BSEL = 0V MGN = V_{IN} , BSEL = V_{IN} MGN = V_{IN} , BSEL = Float MGN = 0V , BSEL = 0V MGN = 0V , BSEL = V_{IN} MGN = 0V , BSEL = Float	4 9 14 -4 -9 -14	5 10 15 -5 -10 -15	6 11 16 -6 -11 -16	% % % % % %

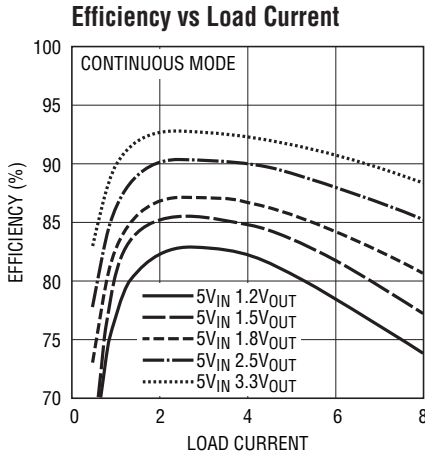
Note 1: Stresses beyond those listed under Absolute Maximum Ratings may cause permanent damage to the device. Exposure to any Absolute Maximum Rating condition for extended periods may affect device reliability and lifetime.

Note 2: The LTM4608A is tested under pulsed load conditions such that $T_J \approx T_A$. The LTM4608AE is guaranteed to meet specifications from 0°C to 125°C internal temperature. Specifications over the -40°C to 125°C internal operating temperature range are assured by design, characterization and correlation with statistical process controls.

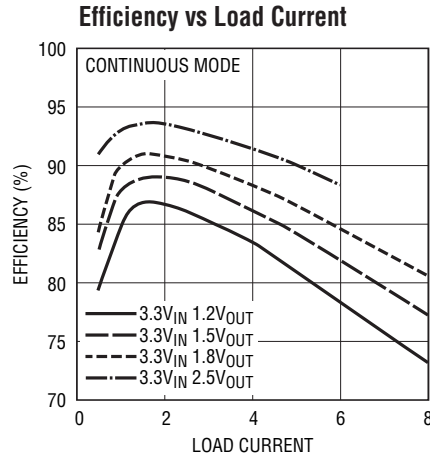
The LTM4608AI is guaranteed over the -40°C to 125°C internal operating temperature range and the LTM4608AMP is tested and guaranteed over the full -55°C to 125°C internal operating temperature range. Note that the maximum ambient temperature consistent with these specifications is determined by specific operating conditions in conjunction with board layout, the rated package thermal impedance and other environmental factors.

Note 3: See output current derating curves for different V_{IN} , V_{OUT} and T_A .

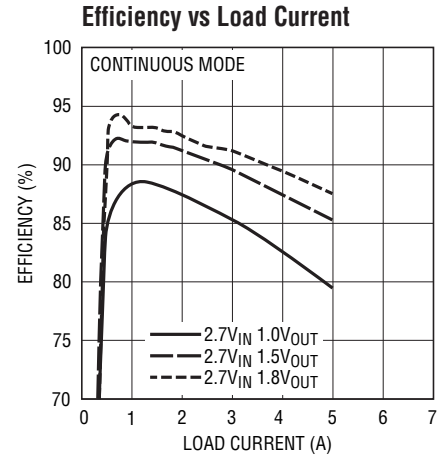
TYPICAL PERFORMANCE CHARACTERISTICS



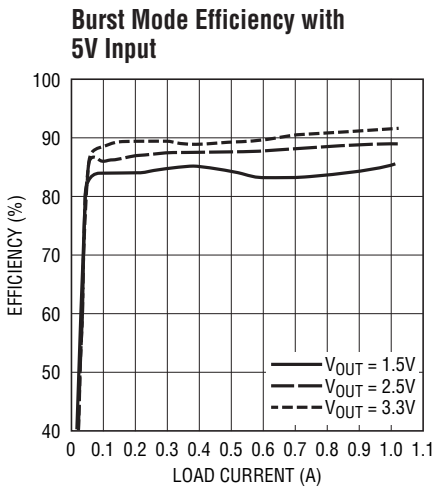
4608A G01



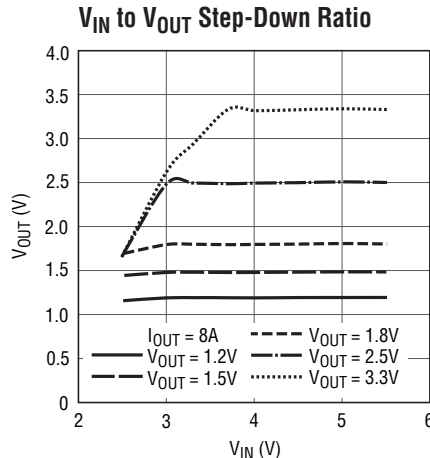
4608A G02



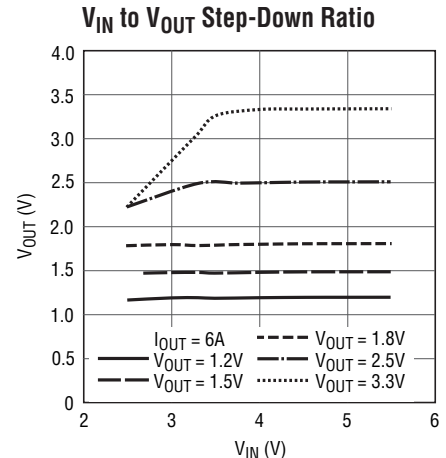
4608A G03



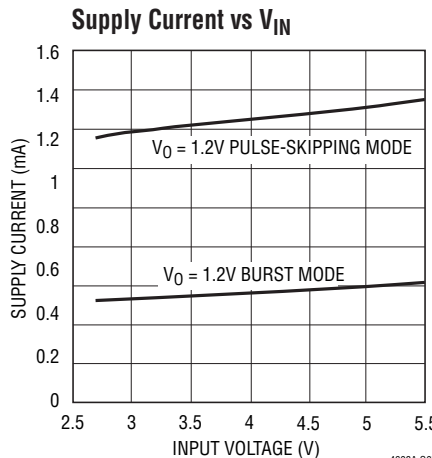
4608A G04



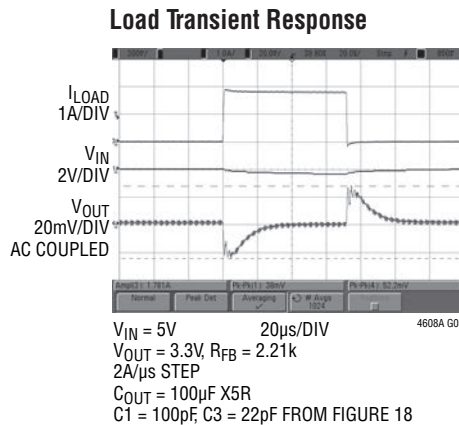
4608A G05



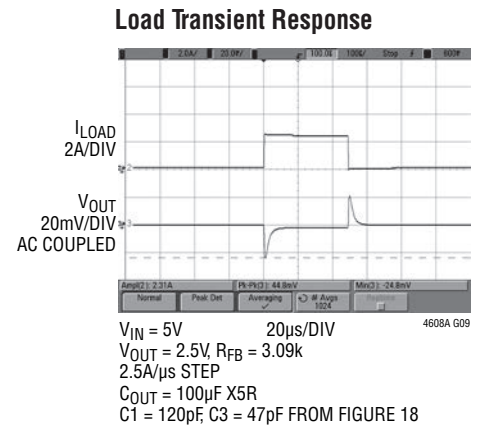
4608A G06



4608A G07



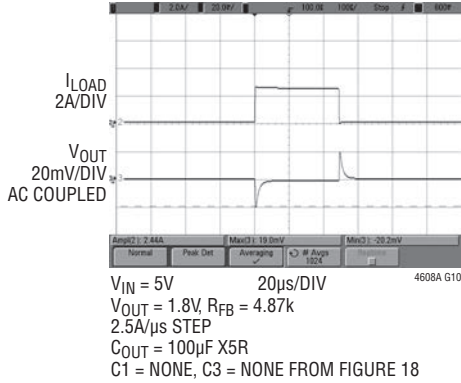
4608A G08



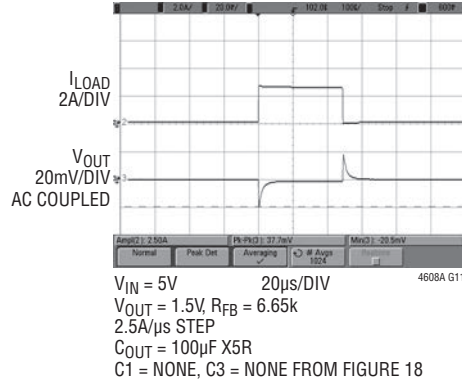
4608A G09

TYPICAL PERFORMANCE CHARACTERISTICS

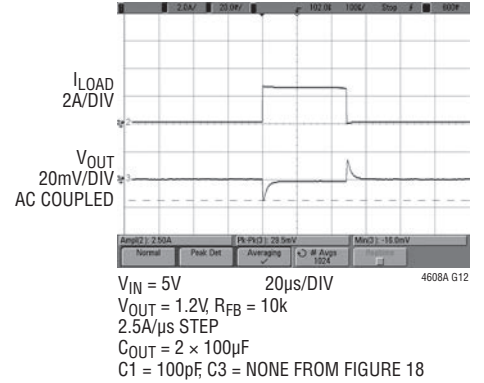
Load Transient Response



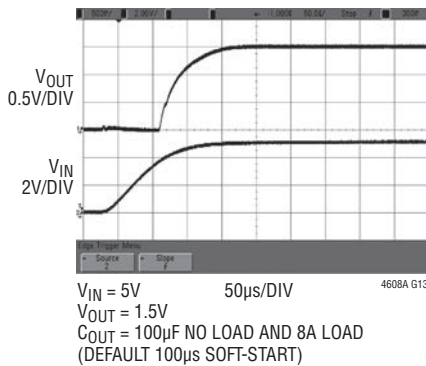
Load Transient Response



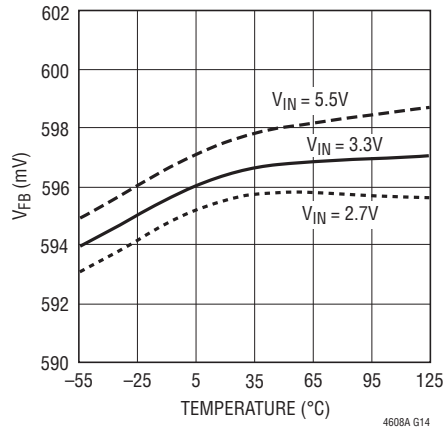
Load Transient Response



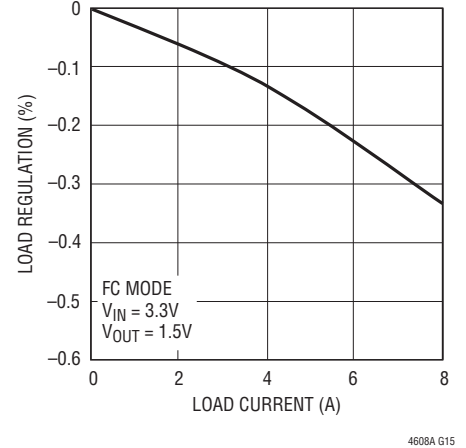
Start-Up



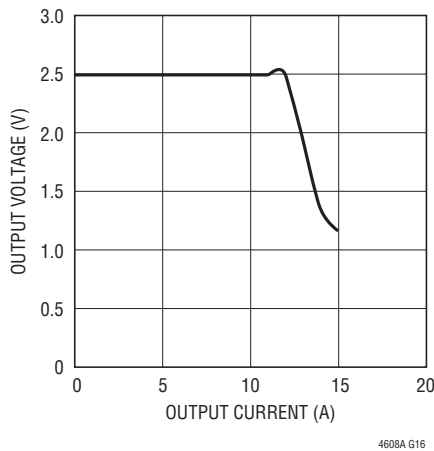
V_{FB} vs Temperature



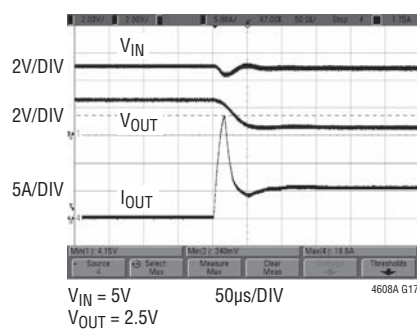
Load Regulation vs Current



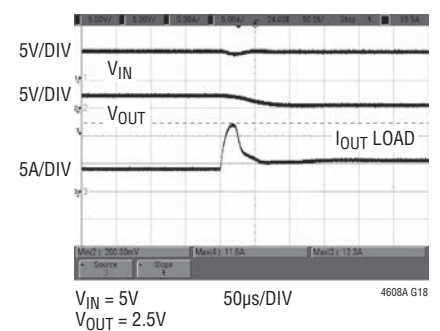
2.5V Output Current



Short-Circuit Protection (2.5V Short, No Load)



Short-Circuit Protection (2.5V Short, 4A Load)



PIN FUNCTIONS

V_{IN} (C1, C8, C9, D1, D3-D5, D7-D9 and E8): Power Input Pins. Apply input voltage between these pins and GND pins. Recommend placing input decoupling capacitance directly between V_{IN} pins and GND pins.

V_{OUT} (C10-C11, D10-D11, E9-E11, F9-F11, G9-G11): Power Output Pins. Apply output load between these pins and GND pins. Recommend placing output decoupling capacitance directly between these pins and GND pins. See Table 1.

GND (A1-A11, B1, B9-B11, F3, F7-F8, G1-G8): Power Ground Pins for Both Input and Output Returns.

SV_{IN} (F4): Signal Input Voltage. This pin is internally connected to V_{IN} through a lowpass filter.

SGND (E1): Signal Ground Pin. Return ground path for all analog and low power circuitry. Tie a single connection to GND in the application.

MODE (B5): Mode Select Input. Tying this pin high enables Burst Mode operation. Tying this pin low enables forced continuous operation. Floating this pin or tying it to V_{IN}/2 enables pulse-skipping operation.

CLKIN (B3): External Synchronization Input to Phase Detector. This pin is internally terminated to SGND with a 50k resistor. The phase locked loop will force the internal top power PMOS turn on to be synchronized with the rising edge of the CLKIN signal. Connect this pin to SV_{IN} to enable spread spectrum modulation. During external synchronization, make sure the PLLPF pin is not tied to V_{IN} or GND.

PLLLPF (E3): Phase Locked Loop Lowpass Filter. An internal lowpass filter is tied to this pin. In spread spectrum mode, placing a capacitor here to SGND controls the slew rate from one frequency to the next. Alternatively, floating this pin allows normal running frequency at 1.5MHz, tying this pin to SV_{IN} forces the part to run at 1.33 times its normal frequency (2MHz), tying it to ground forces the frequency to run at 0.67 times its normal frequency (1MHz).

PHMODE (B4): Phase Selector Input. This pin determines the phase relationship between the internal oscillator and CLKOUT. Tie it high for 2-phase operation, tie it low for 3-phase operation, and float or tie it to V_{IN}/2 for 4-phase operation.

MGN (B8): Margining Pin. Increases or decreases the output voltage by the amount specified by the BSEL pin. To disable margining, tie the MGN pin to a voltage divider with 50k resistors from V_{IN} to ground. See the Applications Information section and Figure 20.

BSEL (B7): Margining Bit Select Pin. Tying BSEL low selects $\pm 5\%$, tying it high selects $\pm 10\%$. Floating it or tying it to V_{IN}/2 selects $\pm 15\%$.

TRACK (E5): Output Voltage Tracking Pin. Voltage tracking is enabled when the TRACK voltage is below 0.57V. If tracking is not desired, then connect the TRACK pin to SV_{IN}. If TRACK is not tied to SV_{IN}, then the TRACK pin's voltage needs to be below 0.18V before the chip shuts down even though RUN is already low. Do not float this pin. A resistor divider and capacitor can be applied to the TRACK pin to increase the soft-start time of the regulator. See the Applications Information section. Can tie together for parallel operation and tracking. Load current needs to be present during track down.

PIN FUNCTIONS

FB (E7): The Negative Input of the Error Amplifier. Internally, this pin is connected to V_{OUT} with a 10k precision resistor. Different output voltages can be programmed with an additional resistor between FB and GND pins. In PolyPhase® operation, tie FB pins together for parallel operation. See the Applications Information section for details.

I_{TH} (F6): Current Control Threshold and Error Amplifier Compensation Point. The current comparator threshold increases with this control voltage. Tie together in parallel operation.

I_{THM} (F5): Negative Input to the Internal I_{TH} Differential Amplifier. Tie this pin to SGND for single phase operation. For PolyPhase operation, tie the master's I_{THM} to SGND while connecting all of the I_{THM} pins together.

PGOOD (C7): Output Voltage Power Good Indicator. Open-drain logic output that is pulled to ground when the output voltage is not within $\pm 10\%$ of the regulation point. Disabled during margining.

RUN (F1): Run Control Pin. A voltage above 1.5V will turn on the module.

SW (C3-C5): Switching Node of the Circuit is Used for Testing Purposes. This can be connected to an electrically open circuit copper pad on the board for improved thermal performance.

CLKOUT (F2): Output Clock Signal for PolyPhase Operation. The phase of CLKOUT is determined by the state of the PHMODE pin.

SIMPLIFIED BLOCK DIAGRAM

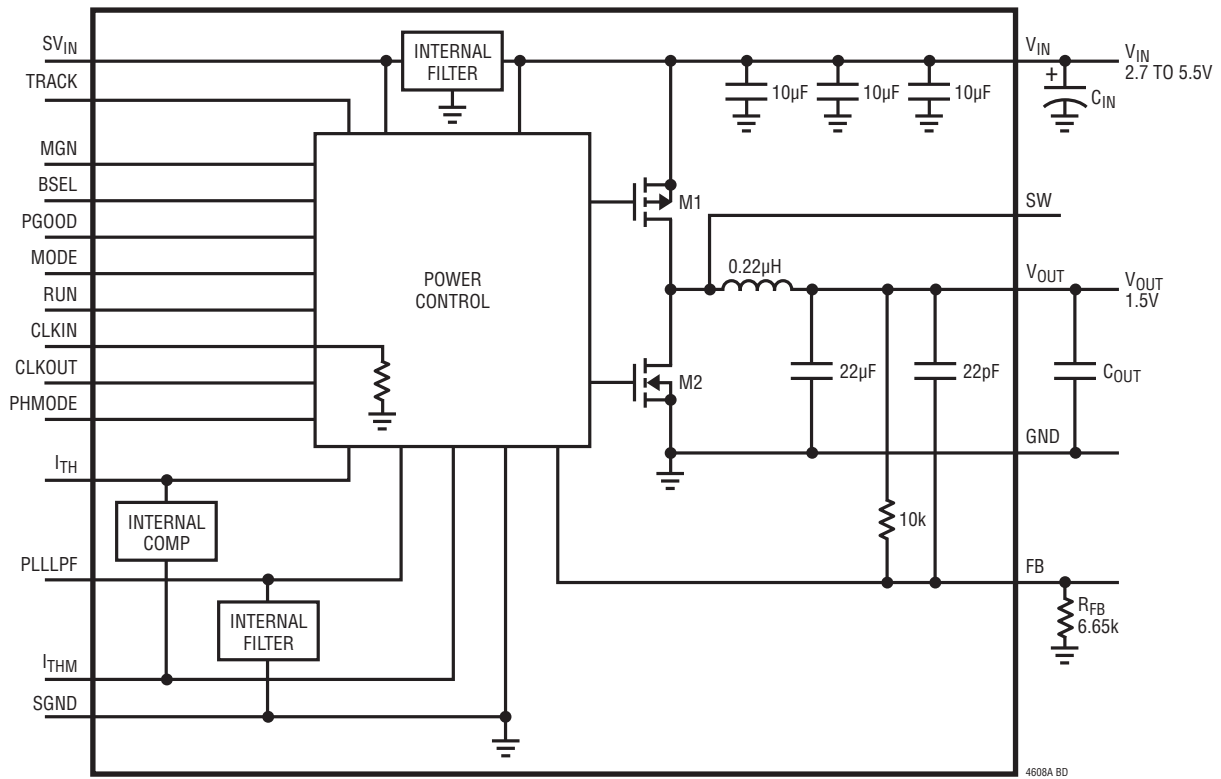


Figure 1. Simplified LTM4608A Block Diagram

Table 1. Decoupling Requirements. $T_A = 25^\circ C$, Block Diagram Configuration

SYMBOL	PARAMETER	CONDITIONS	MIN	TYP	MAX	UNITS
C_{IN}	External Input Capacitor Requirement ($V_{IN} = 2.7V$ to $5.5V$, $V_{OUT} = 1.5V$)	$I_{OUT} = 8A$	10			μF
C_{OUT}	External Output Capacitor Requirement ($V_{IN} = 2.7V$ to $5.5V$, $V_{OUT} = 1.5V$)	$I_{OUT} = 8A$		100		μF

OPERATION

The LTM4608A is a standalone nonisolated switch mode DC/DC power supply. It can deliver up to 8A of DC output current with few external input and output capacitors. This module provides precisely regulated output voltage programmable via one external resistor from 0.6V DC to 5.0V DC over a 2.7V to 5.5V input voltage. The typical application schematic is shown in Figure 18.

The LTM4608A has an integrated constant frequency current mode regulator and built-in power MOSFET devices with fast switching speed. The typical switching frequency is 1.5MHz. For switching noise sensitive applications, it can be externally synchronized from 0.75MHz to 2.25MHz. Even spread spectrum switching can be implemented in the design to reduce noise.

OPERATION

With current mode control and internal feedback loop compensation, the LTM4608A module has sufficient stability margins and good transient performance with a wide range of output capacitors, even with all ceramic output capacitors.

Current mode control provides cycle-by-cycle fast current limit and thermal shutdown in an overcurrent condition. Internal overvoltage and undervoltage comparators pull the open-drain PGOOD output low if the output feedback voltage exits a $\pm 10\%$ window around the regulation point.

Pulling the RUN pin below 1.3V forces the controller into its shutdown state, by turning off both M1 and M2 at low load current. The TRACK pin is used for programming the output voltage ramp and voltage tracking during start-up. See Applications Information.

The LTM4608A is internally compensated to be stable over all operating conditions. Table 3 provides a guideline for input and output capacitances for several operating

conditions. The Linear Technology μ Module Power Design Tool is provided for transient and stability analysis. The FB pin is used to program the output voltage with a single external resistor to ground.

Multiphase operation can be easily employed with the synchronization and phase mode controls. Up to 12 phases can be cascaded to run simultaneously with respect to each other by programming the PHMODE pin to different levels. The LTM4608A has clock in and clock out for poly phasing multiple devices or frequency synchronization.

High efficiency at light loads can be accomplished with selectable Burst Mode operation using the MODE pin. These light load features will accommodate battery operation. Efficiency graphs are provided for light load operation in the Typical Performance Characteristics.

Output voltage margining is supported, and can be programmed from $\pm 5\%$ to $\pm 15\%$ using the MGN and BSEL pins. The PGOOD pin is disabled during margining

APPLICATIONS INFORMATION

The typical LTM4608A application circuit is shown in Figure 18. External component selection is primarily determined by the maximum load current and output voltage. Refer to Table 3 for specific external capacitor requirements for a particular application.

V_{IN} to V_{OUT} Step-Down Ratios

There are restrictions in the maximum V_{IN} to V_{OUT} step-down ratio that can be achieved for a given input voltage. The LTM4608A is 100% duty cycle, but the V_{IN} to V_{OUT} minimum dropout is a function of its load current. Please refer to the curves in the Typical Performance Characteristics section of this data sheet for more information.

Output Voltage Programming

The PWM controller has an internal 0.596V reference voltage. As shown in the Block Diagram, a 10k 0.5% internal feedback resistor connects V_{OUT} and FB pins together. The output voltage will default to 0.596V with

no feedback resistor. Adding a resistor R_{FB} from FB pin to GND programs the output voltage:

$$V_{OUT} = 0.596V \cdot \frac{10k + R_{FB}}{R_{FB}}$$

Table 2. R_{FB} Resistor vs Output Voltage

V_{OUT}	0.596V	1.2V	1.5V	1.8V	2.5V	3.3V
R_{FB}	Open	10k	6.65k	4.87k	3.09k	2.21k

Input Capacitors

The LTM4608A module should be connected to a low AC impedance DC source. Three 10 μ F ceramic capacitors are included inside the module. Additional input capacitors are only needed if a large load step is required up to the 4A level. A 47 μ F to 100 μ F surface mount aluminum electrolytic bulk capacitor can be used for more input bulk capacitance. This bulk input capacitor is only needed if the input source impedance is compromised by long inductive leads, traces or not enough source capacitance.

APPLICATIONS INFORMATION

If low impedance power planes are used, then this 47 μ F capacitor is not needed.

For a buck converter, the switching duty-cycle can be estimated as:

$$D = \frac{V_{OUT}}{V_{IN}}$$

Without considering the inductor current ripple, the RMS current of the input capacitor can be estimated as:

$$I_{CIN(RMS)} = \frac{I_{OUT(MAX)}}{\eta\%} \cdot \sqrt{D \cdot (1-D)}$$

In the above equation, $\eta\%$ is the estimated efficiency of the power module. The bulk capacitor can be a switcher-rated electrolytic aluminum capacitor, polymer capacitor for bulk input capacitance due to high inductance traces or leads. If a low inductance plane is used to power the device, then only one 10 μ F ceramic is required. The three internal 10 μ F ceramics are typically rated for 2A of RMS ripple current, so the ripple current at the worse case for 8A maximum current is 4A or less.

Output Capacitors

The LTM4608A is designed for low output voltage ripple noise. The bulk output capacitors defined as C_{OUT} are chosen with low enough effective series resistance (ESR) to meet the output voltage ripple and transient requirements. C_{OUT} can be a low ESR tantalum capacitor, a low ESR polymer capacitor or ceramic capacitor. The typical output capacitance range is from 47 μ F to 220 μ F. Additional output filtering may be required by the system designer, if further reduction of output ripple or dynamic transient spikes is desired. Table 3 shows a matrix of different output voltages and output capacitors to minimize the voltage droop and overshoot during a 3A/ μ s transient. The table optimizes total equivalent ESR and total bulk capacitance to optimize the transient performance. Stability criteria are considered in the Table 3 matrix, and the Linear Technology LTpowerCAD™ Design Tool is available for stability analysis. Multiphase operation will reduce effective output ripple as a function of the number of phases. Application Note 77 discusses this noise reduction versus output ripple current cancellation, but the output capacitance will be more

a function of stability and transient response. The Linear Technology LTpowerCAD Design Tool will calculate the output ripple reduction as the number phases implemented increases by N times.

Burst Mode Operation

The LTM4608A is capable of Burst Mode operation in which the power MOSFETs operate intermittently based on load demand, thus saving quiescent current. For applications where maximizing the efficiency at very light loads is a high priority, Burst Mode operation should be applied. To enable Burst Mode operation, simply tie the MODE pin to V_{IN} . During this operation, the peak current of the inductor is set to approximately 20% of the maximum peak current value in normal operation even though the voltage at the I_{TH} pin indicates a lower value. The voltage at the I_{TH} pin drops when the inductor's average current is greater than the load requirement. As the I_{TH} voltage drops below 0.2V, the BURST comparator trips, causing the internal sleep line to go high and turn off both power MOSFETs.

In sleep mode, the internal circuitry is partially turned off, reducing the quiescent current to about 450 μ A. The load current is now being supplied from the output capacitor. When the output voltage drops, causing I_{TH} to rise above 0.25V, the internal sleep line goes low, and the LTM4608A resumes normal operation. The next oscillator cycle will turn on the top power MOSFET and the switching cycle repeats.

Pulse-Skipping Mode Operation

In applications where low output ripple and high efficiency at intermediate currents are desired, pulse-skipping mode should be used. Pulse-skipping operation allows the LTM4608A to skip cycles at low output loads, thus increasing efficiency by reducing switching loss. Floating the MODE pin or tying it to $V_{IN}/2$ enables pulse-skipping operation. This allows discontinuous conduction mode (DCM) operation down to near the limit defined by the chip's minimum on-time (about 100ns). Below this output current level, the converter will begin to skip cycles in order to maintain output regulation. Increasing the output load current slightly, above the minimum required for discontinuous conduction mode, allows constant frequency PWM.

APPLICATIONS INFORMATION

Table 3. Output Voltage Response Versus Component Matrix (Refer to Figure 18) 0A to 3A Load Step

TYPICAL MEASURED VALUES													
C _{OUT1} VENDORS		VALUE	PART NUMBER			C _{OUT2} VENDORS		VALUE	PART NUMBER				
TDK		22μF, 6.3V	C3216X7S0J226M			Sanyo POSCAP		150μF, 10V	10TPD150M				
Murata		22μF, 16V	GRM31CR61C226KE15L			C _{IN} (BULK) VENDORS		VALUE	PART NUMBER				
TDK		100μF, 6.3V	C4532X5R0J107MZ			Sanyo		100μF, 10V	10CE100FH				
Murata		100μF, 6.3V	GRM32ER60J107M										

V _{OUT} (V)	C _{IN} (CERAMIC)	C _{IN} (BULK)*	C _{OUT1} (CERAMIC)	C _{OUT2} (BULK)	I _{TH}	C1	C3	V _{IN} (V)	DROOP (mV)	PEAK-TO-PEAK DEVIATION (mV)	RECOVERY TIME (μs)	LOAD STEP (A/μs)	R _{FB} (kΩ)
1.0	10μF	100μF	100μF × 2		None	68pF	None	5	13	26	7	3	14.7
1.0	10μF	100μF	22μF × 1	150μF × 2	None	None	100pF	5	17	34	8	3	14.7
1.0	10μF	100μF	100μF × 2		None	68pF	None	3.3	13	26	7	3	14.7
1.0	10μF	100μF	22μF × 1	150μF × 2	None	None	100pF	3.3	17	34	10	3	14.7
1.0	10μF	100μF	100μF × 2		None	68pF	None	2.7	13	26	7	3	14.7
1.0	10μF	100μF	22μF × 1	150μF × 2	None	None	100pF	2.7	17	34	8	3	14.7
1.2	10μF	100μF	100μF × 2		None	100pF	None	5	16	32	8	3	10
1.2	10μF	100μF	22μF × 1	150μF × 2	None	None	100pF	5	20	41	10	3	10
1.2	10μF	100μF	100μF × 2		None	100pF	None	3.3	16	32	8	3	10
1.2	10μF	100μF	22μF × 1	150μF × 2	None	None	100pF	3.3	20	41	10	3	10
1.2	10μF	100μF	100μF × 2		None	100pF	None	2.7	16	32	10	3	10
1.2	10μF	100μF	22μF × 1	150μF × 2	None	47pF	None	2.7	16	32	8	3	10
1.5	10μF	100μF	100μF × 2		None	100pF	None	5	18	36	8	3	6.65
1.5	10μF	100μF	22μF × 1	150μF × 2	None	None	47pF	5	20	41	12	3	6.65
1.5	10μF	100μF	100μF × 2		None	100pF	None	3.3	16	32	10	3	6.65
1.5	10μF	100μF	22μF × 1	150μF × 2	None	None	47pF	3.3	20	41	12	3	6.65
1.5	10μF	100μF	100μF × 2		None	100pF	None	2.7	18	36	10	3	6.65
1.5	10μF	100μF	22μF × 1	150μF × 2	None	None	None	2.7	20	41	12	3	6.65
1.8	10μF	100μF	100μF × 1		None	47pF	None	5	22	42	8	3	4.87
1.8	10μF	100μF	22μF × 1	150μF × 2	None	None	47pF	5	21	42	12	3	4.87
1.8	10μF	100μF	100μF × 2		None	120pF	None	3.3	21	43	12	3	4.87
1.8	10μF	100μF	22μF × 1	150μF × 2	None	None	47pF	3.3	21	41	12	3	4.87
1.8	10μF	100μF	100μF × 2		None	120pF	None	2.7	22	44	12	3	4.87
1.8	10μF	100μF	22μF × 1	150μF × 2	None	None	None	2.7	21	42	14	3	4.87
2.5	10μF	100μF	100μF × 1		None	100pF	None	5	28	42	10	3	3.09
2.5	10μF	100μF	22μF × 1	150μF × 1	None	22pF	None	5	33	60	10	3	3.09
2.5	10μF	100μF	100μF × 1		None	100pF	None	3.3	30	60	10	3	3.09
2.5	10μF	100μF	22μF × 1	150μF × 1	None	22pF	None	3.3	21	41	10	3	3.09
3.3	10μF	100μF	100μF × 1		100pF	22pF	None	5	38	74	10	3	2.21
3.3	10μF	100μF	22μF × 1	150μF × 1	None	None	None	5	39	75	12	3	2.21

*Bulk capacitance is optional if V_{IN} has very low input impedance.

Forced Continuous Operation

In applications where fixed frequency operation is more critical than low current efficiency, and where the lowest output ripple is desired, forced continuous operation should be used. Forced continuous operation can be enabled by tying the MODE pin to GND. In this mode, inductor current is allowed to reverse during low output loads, the I_{TH} voltage is in control of the current comparator threshold

throughout, and the top MOSFET always turns on with each oscillator pulse. During start-up, forced continuous mode is disabled and inductor current is prevented from reversing until the LTM4608A's output voltage is in regulation.

Multiphase Operation

For output loads that demand more than 8A of current, multiple LTM4608As can be cascaded to run out of phase

APPLICATIONS INFORMATION

to provide more output current without increasing input and output voltage ripple. The CLKIN pin allows the LTM4608A to synchronize to an external clock (between 0.75MHz and 2.25MHz) and the internal phase locked loop allows the LTM4608A to lock onto CLKIN's phase as well. The CLKOUT signal can be connected to the CLKIN pin of the following LTM4608A stage to line up both the frequency and the phase of the entire system. Tying the PHMODE pin to S_{VIN} , SGND or $S_{VIN}/2$ (floating) generates a phase difference (between CLKIN and CLKOUT) of 180°, 120° or 90° respectively, which corresponds to a 2-phase, 3-phase or 4-phase operation. A total of 6 phases can be cascaded to run simultaneously with respect to each other by programming the PHMODE pin of each LTM4608A to different levels. For a 6-phase example in Figure 2, the 2nd stage that is 120° out of phase from the 1st stage can generate a 240° (PHMODE = 0) CLKOUT signal for the 3rd

stage, which then can generate a CLKOUT signal that's 420°, or 60° (PHMODE = S_{VIN}) for the 4th stage. With the 60° CLKIN input, the next two stages can shift 120° (PHMODE = 0) for each to generate a 300° signal for the 6th stage. Finally, the signal with a 60° phase shift on the 6th stage (PHMODE is floating) goes back to the 1st stage. Figure 3 shows the configuration for 12-phase operation.

A multiphase power supply significantly reduces the amount of ripple current in both the input and output capacitors. The RMS input ripple current is reduced by, and the effective ripple frequency is multiplied by, the number of phases used (assuming that the input voltage is greater than the number of phases used times the output voltage). The output ripple amplitude is also reduced by the number of phases used.

The LTM4608A device is an inherently current mode con-

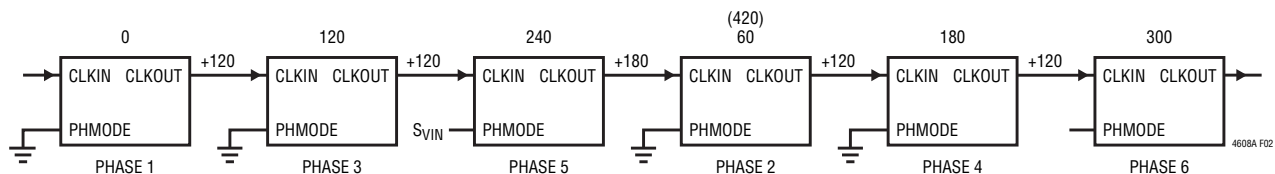


Figure 2. 6-Phase Operation

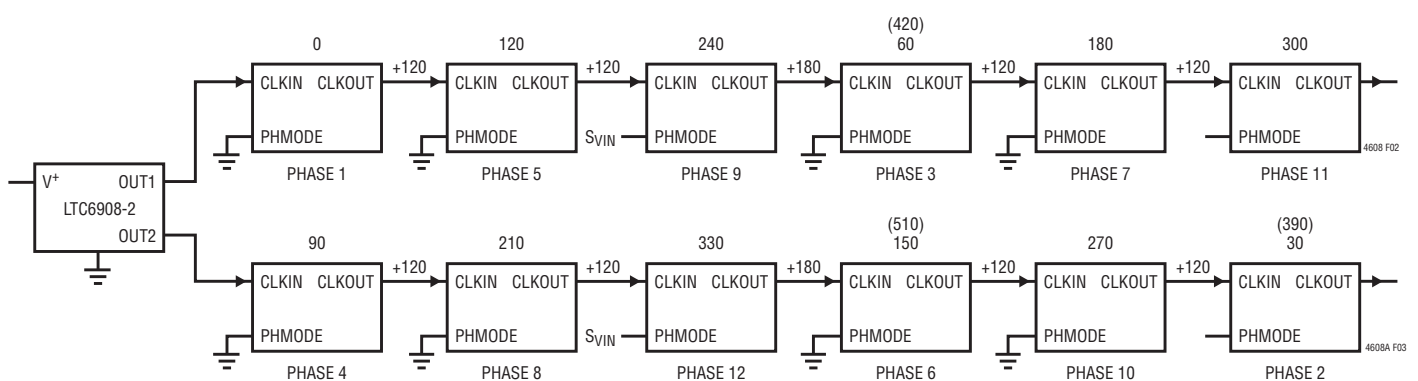


Figure 3. 12-Phase Operation

APPLICATIONS INFORMATION

trolled device. Parallel modules will have very good current sharing. This will balance the thermals on the design. Tie the I_{TH} pins of each LTM4608A together to share the current evenly. To reduce ground potential noise, tie the I_{THM} pins of all LTM4608As together and then connect to the SGND at only one point. Figure 19 shows a schematic of the parallel design. The FB pins of the parallel module are tied together. With parallel operation, input and output capacitors may be reduced in part according to the operating duty cycle.

Input RMS Ripple Current Cancellation

Application Note 77 provides a detailed explanation of multiphase operation. The input RMS ripple current cancellation mathematical derivations are presented, and a graph is displayed representing the RMS ripple current reduction as a function of the number of interleaved phases. Figure 4 shows this graph.

Spread Spectrum Operation

Switching regulators can be particularly troublesome where electromagnetic interference (EMI) is concerned.

Switching regulators operate on a cycle-by-cycle basis to transfer power to an output. In most cases, the frequency of operation is fixed based on the output load. This method of conversion creates large components of noise at the frequency of operation (fundamental) and multiples of the operating frequency (harmonics).

To reduce this noise, the LTM4608A can run in spread spectrum operation by tying the CLKIN pin to SV_{IN} . In spread spectrum operation, the LTM4608A's internal oscillator is designed to produce a clock pulse whose period is random on a cycle-by-cycle basis but fixed between 70% and 130% of the nominal frequency. This has the benefit of spreading the switching noise over a range of frequencies, thus significantly reducing the peak noise. Spread spectrum operation is disabled if

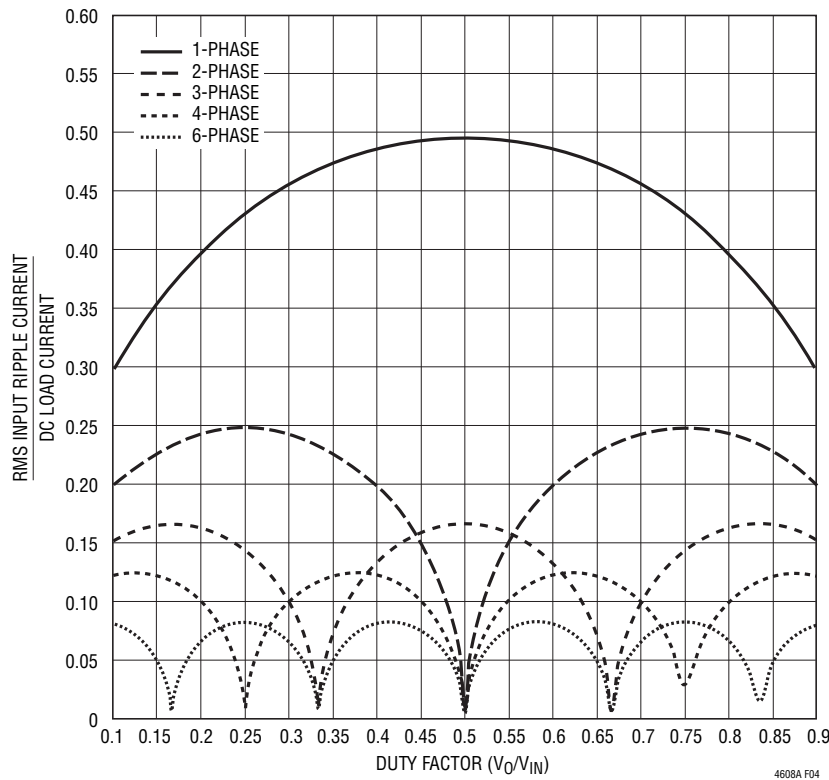


Figure 4. Normalized Input RMS Ripple Current vs Duty Factor for One to Six Phases

APPLICATIONS INFORMATION

CLKIN is tied to ground or if it's driven by an external frequency synchronization signal. A capacitor value of 0.01μF must be placed from the PLLPF pin to ground to control the slew rate of the spread spectrum frequency change. Add a control ramp on the TRACK pin with R_{SR} and C_{SR} referenced to V_{IN}. Figure 21 shows an example for spread spectrum operation.

$$R_{SR} \geq \frac{1}{-\ln\left(1 - \frac{0.592}{V_{IN}}\right) \cdot 500 \cdot C_{SR}}$$

Output Voltage Tracking

Output voltage tracking can be programmed externally using the TRACK pin. The output can be tracked up and down with another regulator. The master regulator's output is divided down with an external resistor divider that is the

same as the slave regulator's feedback divider to implement coincident tracking. The LTM4608A uses an accurate 10k resistor internally for the top feedback resistor. Figure 5 shows an example of coincident tracking:

$$\text{Slave} = \left(1 + \frac{10k}{R_{FB4}}\right) \cdot V_{TRACK}$$

V_{TRACK} is the track ramp applied to the slave's track pin. V_{TRACK} has a control range of 0V to 0.596V, or the internal reference voltage. When the master's output is divided down with the same resistor values used to set the slave's output, this resistor divider is connected to the slave's track pin. The slave will then coincident track with the master until it reaches its final value. The master will continue to its final value from the slave's regulation point. Voltage tracking is disabled when V_{TRACK} is more than 0.596V.

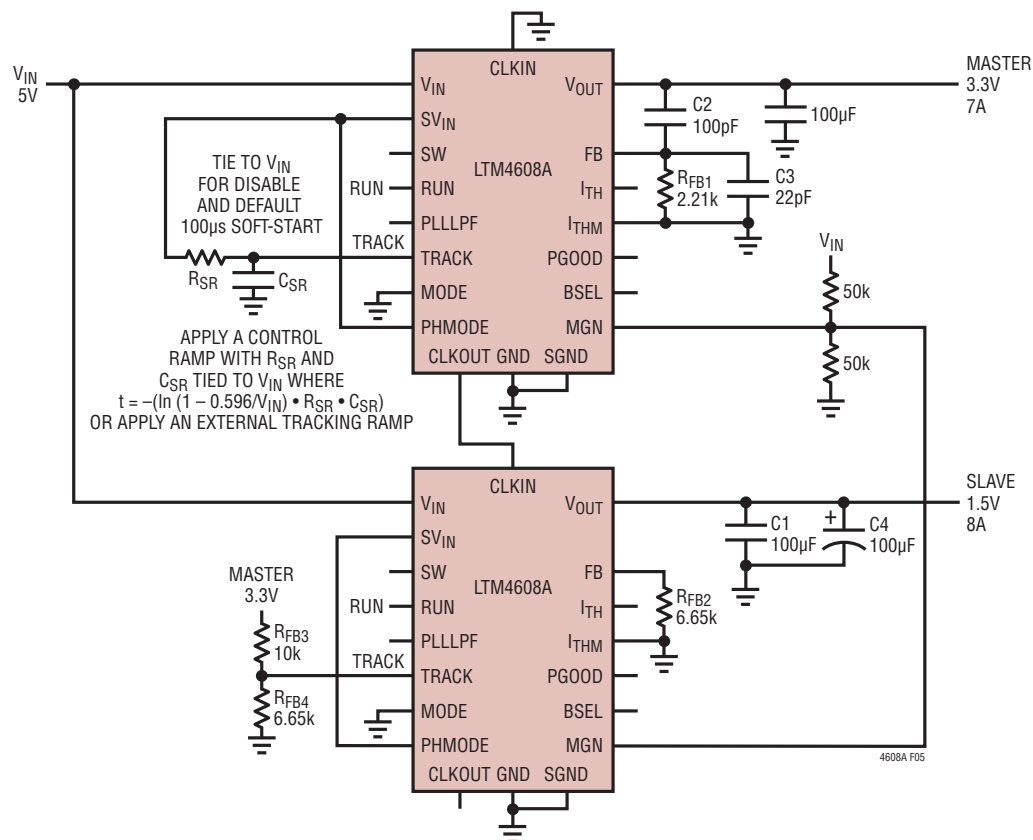


Figure 5. Dual Outputs (3.3V and 1.5V) with Tracking

APPLICATIONS INFORMATION

The track pin of the master can be controlled by an external ramp or by R_{SR} and C_{SR} in Figure 5 referenced to V_{IN} . The RC ramp time can be programmed using equation:

$$t = -\left(\ln\left(1 - \frac{0.596V}{V_{IN}}\right) \cdot R_{SR} \cdot C_{SR} \right)$$

Ratiometric tracking can be achieved by a few simple calculations and the slew rate value applied to the master's track pin. As mentioned above, the TRACK pin has a control range from 0V to 0.596V. The master's TRACK pin slew rate is directly equal to the master's output slew rate in Volts/Time:

$$\frac{MR}{SR} \cdot 10k = R_{FB3}$$

where MR is the master's output slew rate and SR is the slave's output slew rate in Volts/Time. When coincident tracking is desired, then MR and SR are equal, thus R_{FB3} is equal the 10k. R_{FB4} is derived from equation:

$$R_{FB4} = \frac{0.596V}{\frac{V_{FB}}{10k} + \frac{V_{FB}}{R_{FB2}} - \frac{V_{TRACK}}{R_{FB3}}}$$

where V_{FB} is the feedback voltage reference of the regulator and V_{TRACK} is 0.596V. Since R_{FB3} is equal to the 10k top feedback resistor of the slave regulator in equal slew rate or coincident tracking, then R_{FB4} is equal to R_{FB2} with $V_{FB} = V_{TRACK}$. Therefore $R_{FB3} = 10k$ and $R_{FB4} = 6.65k$ in Figure 5.

In ratiometric tracking, a different slew rate maybe desired for the slave regulator. R_{FB3} can be solved for when SR is slower than MR. Make sure that the slave supply slew rate is chosen to be fast enough so that the slave output voltage will reach it final value before the master output.

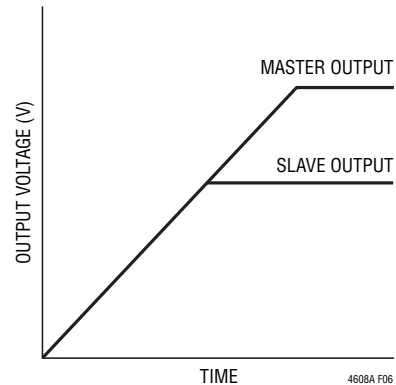


Figure 6. Output Voltage Coincident Tracking

For example: $MR = 3.3V/ms$ and $SR = 1.5V/ms$. Then $R_{FB3} = 22.1k$. Solve for R_{FB4} to equal to 4.87k.

For applications that do not require tracking or sequencing, simply tie the TRACK pin to SV_{IN} to let RUN control the turn on/off. Connecting TRACK to SV_{IN} also enables the $\sim 100\mu s$ of internal soft-start during start-up. Load current needs to be present during track down.

Power Good

The PGOOD pin is an open-drain pin that can be used to monitor valid output voltage regulation. This pin monitors a $\pm 10\%$ window around the regulation point. As shown in Figure 20, the sequencing function can be realized in a dual output application by controlling the RUN pins and the PGOOD signals from each other. The 1.5V output begins its soft starting after the PGOOD signal of 3.3V output becomes high, and 3.3V output starts its shut down after the PGOOD signal of 1.5V output becomes low. This can be applied to systems that require voltage sequencing between the core and sub-power supplies.

APPLICATIONS INFORMATION

Slope Compensation

The module has already been internally compensated for all output voltages. Table 3 is provided for most application requirements. A spice model will be provided for other control loop optimization. For single module operation, connect I_{THM} pin to SGND. For parallel operation, tie I_{THM} pins together and then connect to SGND at one point. Tie I_{TH} pins together to share currents evenly for all phases.

Output Margining

For a convenient system stress test on the LTM4608A's output, the user can program the LTM4608A's output to $\pm 5\%$, $\pm 10\%$ or $\pm 15\%$ of its normal operational voltage. The margin pin with a voltage divider is driven with a small three-state gate as shown in Figure 18, for the three margin states (high, low, no margin). When the MGN pin is $< 0.3V$, it forces negative margining in which the output voltage is below the regulation point. When MGN is $> V_{IN} - 0.3V$, the output voltage is forced above the regulation point. The amount of output voltage margining is determined by the BSEL pin. When BSEL is low, it is 5%. When BSEL is

high, it is 10%. When BSEL is floating, it is 15%. When margining is active, the internal output overvoltage and undervoltage comparators are disabled and PGOOD remains high. Margining is disabled by tying the MGN pin to a voltage divider as shown in Figure 20.

Thermal Considerations and Output Current Derating

The power loss curves in Figures 7 and 8 can be used in coordination with the load current derating curves in Figures 9 to 16 for calculating an approximate θ_{JA} for the module with various heat sinking methods. Thermal models are derived from several temperature measurements at the bench, and thermal modeling analysis. Thermal Application Note 103 provides a detailed explanation of the analysis for the thermal models and the derating curves. Tables 4 and 5 provide a summary of the equivalent θ_{JA} for the noted conditions. These equivalent θ_{JA} parameters are correlated to the measured values and improve with air flow. The junction temperature is maintained at $125^{\circ}C$ or below for the derating curves.

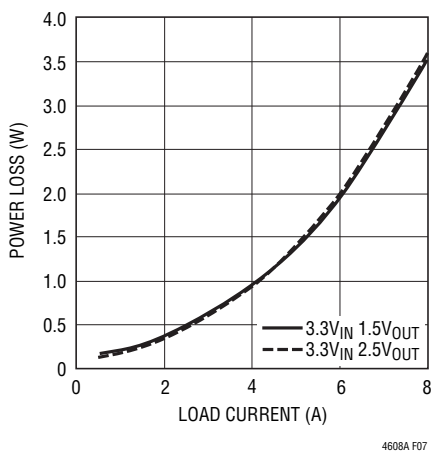


Figure 7. 3.3V_{IN}, 2.5V and 1.5V_{OUT} Power Loss

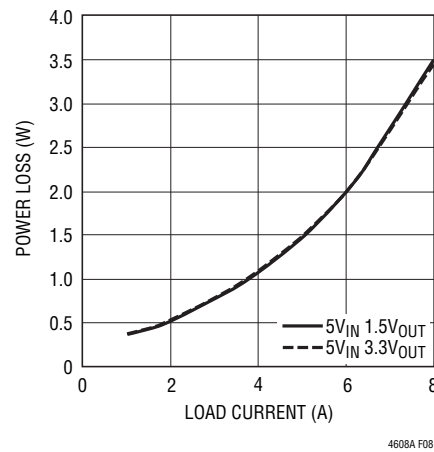
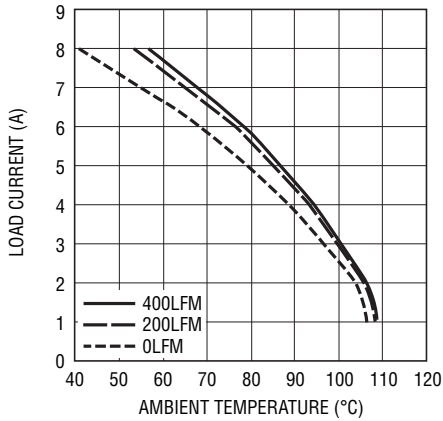


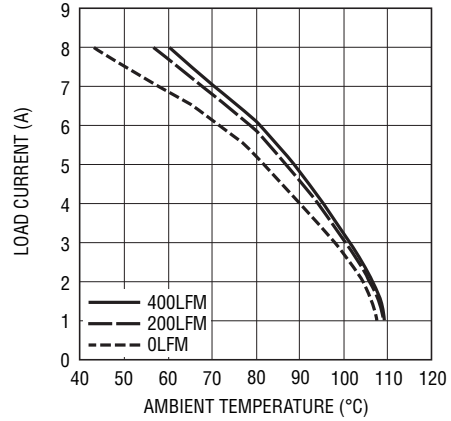
Figure 8. 5V_{IN}, 3.3V and 1.5V_{OUT} Power Loss

APPLICATIONS INFORMATION



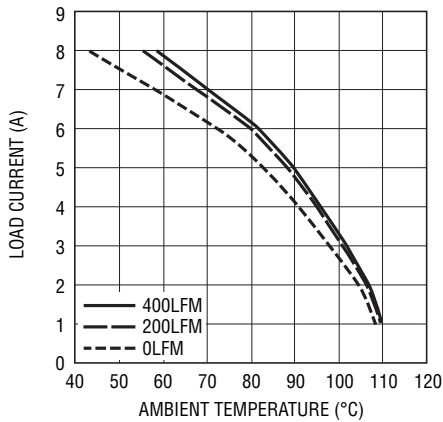
4608A F09

Figure 9. No Heat Sink with 3.3V_{IN} to 1.5V_{OUT}



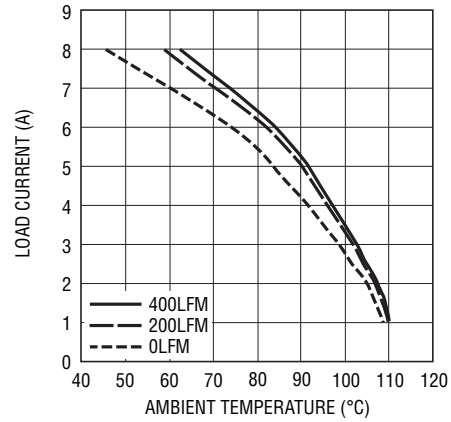
4608A F10

Figure 10. BGA Heat Sink with 3.3V_{IN} to 1.5V_{OUT}



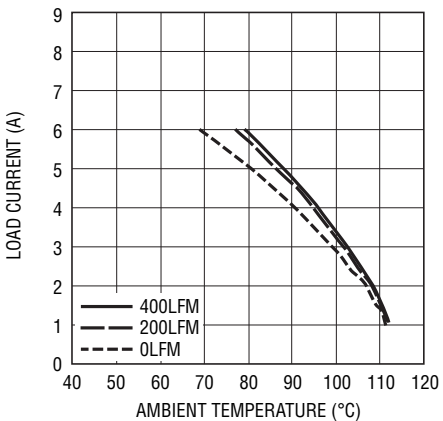
4608A F11

Figure 11. No Heat Sink with 5V_{IN} to 1.5V_{OUT}



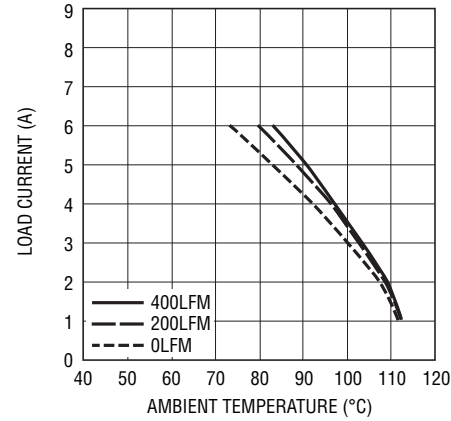
4608A F12

Figure 12. BGA Heat Sink with 5V_{IN} to 1.5V_{OUT}



4608A F13

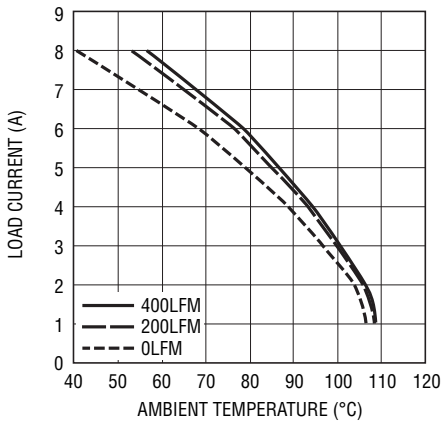
Figure 13. No Heat Sink with 3.3V_{IN} to 2.5V_{OUT}



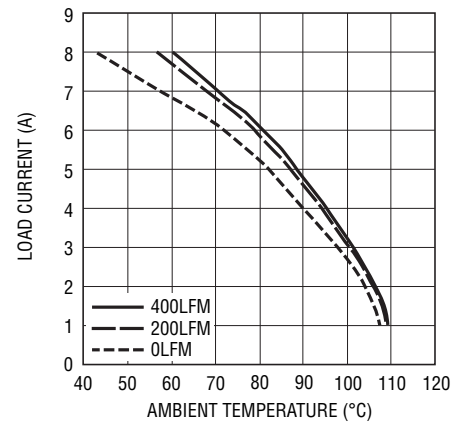
4608A F14

Figure 14. BGA Heat Sink with 3.3V_{IN} to 2.5V_{OUT}

APPLICATIONS INFORMATION



4608A F15

Figure 15. No Heat Sink with 5V_{IN} to 3.3V_{OUT}

4608A F16

Figure 16. BGA Heat Sink with 5V_{IN} to 3.3V_{OUT}

Table 4. 1.5V Output

DERATING CURVE	V _{IN} (V)	POWER LOSS CURVE	AIR FLOW (LFM)	HEAT SINK	θ _{JA} (°C/W)
Figures 9, 11	3.3, 5	Figures 7, 8	0	None	25
Figures 9, 11	3.3, 5	Figures 7, 8	200	None	21
Figures 9, 11	3.3, 5	Figures 7, 8	400	None	20
Figures 10, 12	3.3, 5	Figures 7, 8	0	BGA Heat Sink	23.5
Figures 10, 12	3.3, 5	Figures 7, 8	200	BGA Heat Sink	22
Figures 10, 12	3.3, 5	Figures 7, 8	400	BGA Heat Sink	22

Table 5. 3.3V Output

DERATING CURVE	V _{IN} (V)	POWER LOSS CURVE	AIR FLOW (LFM)	HEAT SINK	θ _{JA} (°C/W)
Figure 15	5	Figure 8	0	None	25
Figure 15	5	Figure 8	200	None	21
Figure 15	5	Figure 8	400	None	20
Figure 16	5	Figure 8	0	BGA Heat Sink	23.5
Figure 16	5	Figure 8	200	BGA Heat Sink	22
Figure 16	5	Figure 8	400	BGA Heat Sink	22

APPLICATIONS INFORMATION

Safety Considerations

The LTM4608A modules do not provide isolation from V_{IN} to V_{OUT} . There is no internal fuse. If required, a slow blow fuse with a rating twice the maximum input current needs to be provided to protect each unit from catastrophic failure.

Layout Checklist/Example

The high integration of LTM4608A makes the PCB board layout very simple and easy. However, to optimize its electrical and thermal performance, some layout considerations are still necessary.

- Use large PCB copper areas for high current path, including V_{IN} , GND and V_{OUT} . It helps to minimize the PCB conduction loss and thermal stress.

- Place high frequency ceramic input and output capacitors next to the V_{IN} , GND and V_{OUT} pins to minimize high frequency noise.
- Place a dedicated power ground layer underneath the unit.
- To minimize the via conduction loss and reduce module thermal stress, use multiple vias for interconnection between top layer and other power layers.
- Do not put vias directly on the pads, unless they are capped.
- Use a separated SGND ground copper area for components connected to signal pins. Connect the SGND to GND underneath the unit.

Figure 17 gives a good example of the recommended layout.

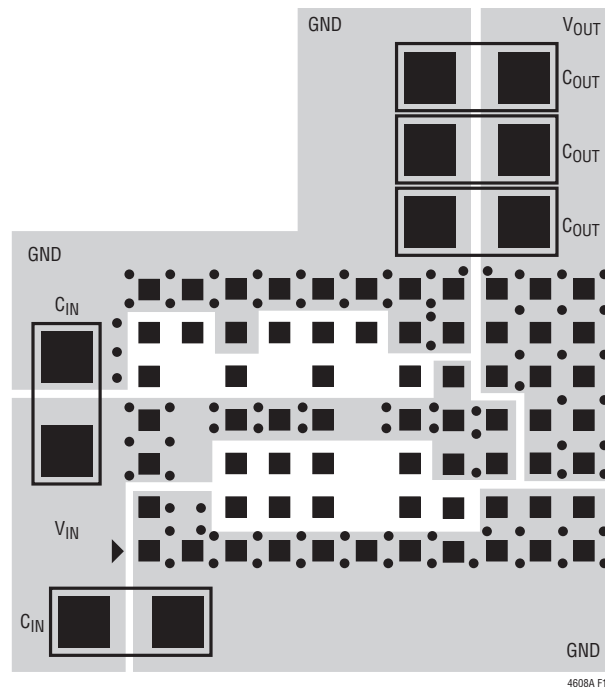


Figure 17. Recommended PCB Layout (LGA Shown, for BGA Use Circle Pads)

TYPICAL APPLICATIONS

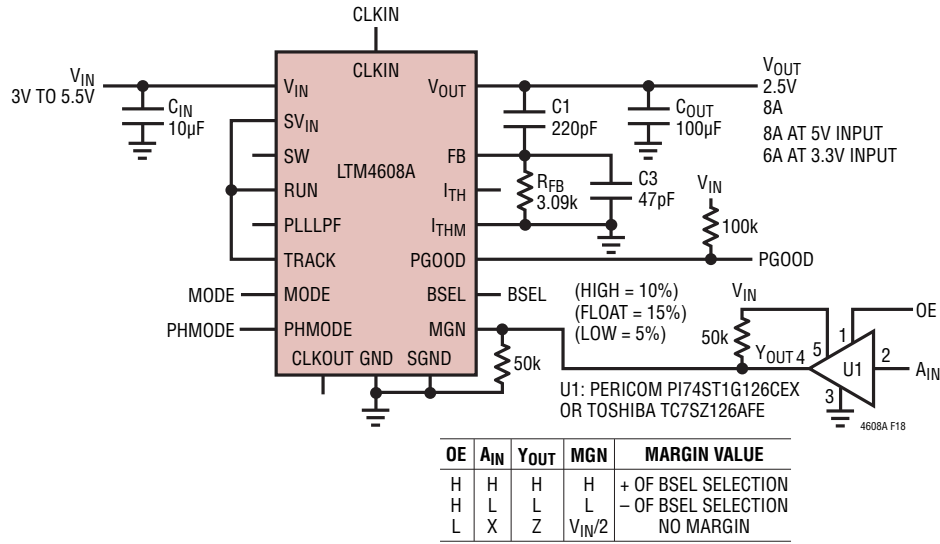


Figure 18. Typical 3V to 5.5V_{IN}, 2.5V at 8A Design

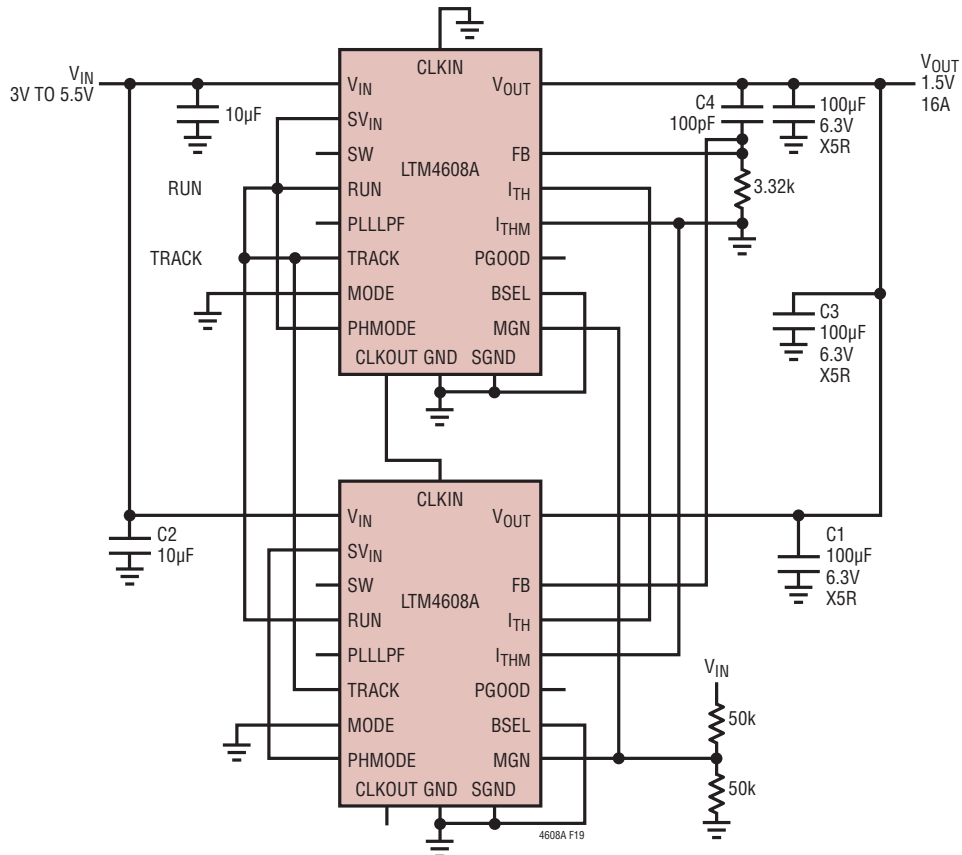


Figure 19. Two LTM4608As in Parallel, 1.5V at 16A Design.
See Also Dual 8A per Channel LTM4616

TYPICAL APPLICATIONS

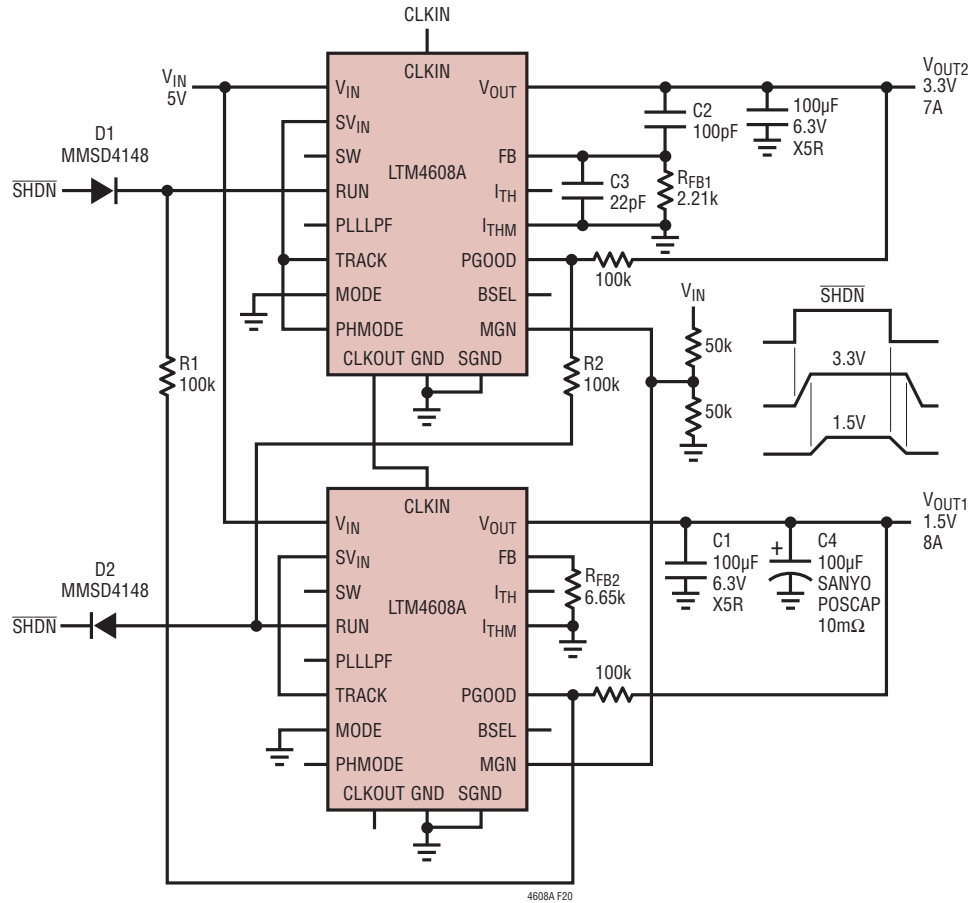


Figure 20. Dual LTM4608A Output Sequencing Application.
See Also Dual 8A per Channel LTM4616

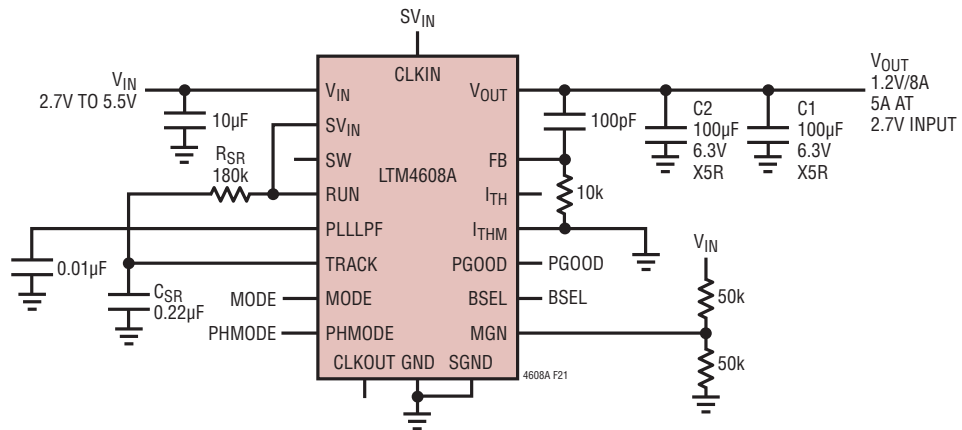
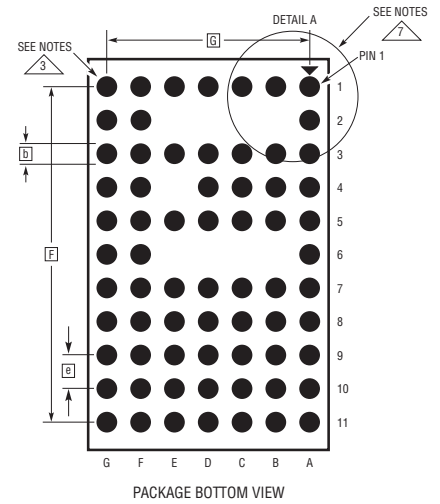
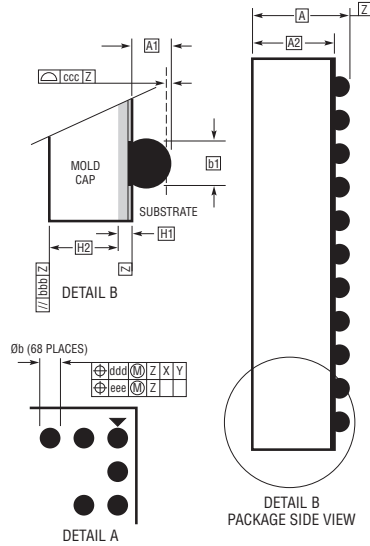
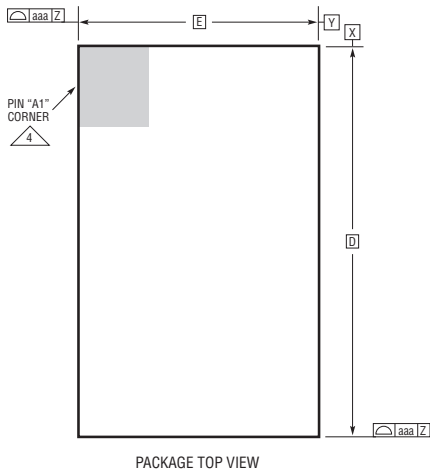


Figure 21. 2.7V to 5.5VIN, 1.2VOUT Design in Spread Spectrum Operation

PACKAGE DESCRIPTION

Please refer to <http://www.linear.com/designtools/packaging/> for the most recent package drawings.

BGA Package 68-Lead (15.00mm × 9.00mm × 3.42mm) (Reference LTC DWG# 05-08-1993 Rev 0)



NOTES:
1. DIMENSIONING AND TOLERANCING PER ASME Y14.5M-1994

2. ALL DIMENSIONS ARE IN MILLIMETERS

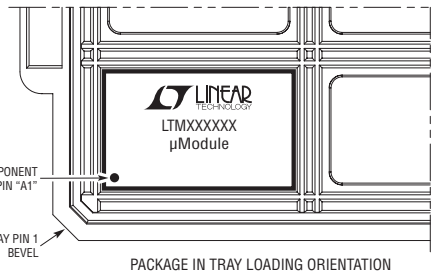
3 BALL DESIGNATION PER JESD MS-028 AND JEP95

4 DETAILS OF PIN #1 IDENTIFIER ARE OPTIONAL, BUT MUST BE LOCATED WITHIN THE ZONE INDICATED. THE PIN #1 IDENTIFIER MAY BE EITHER A MOLD OR MARKED FEATURE

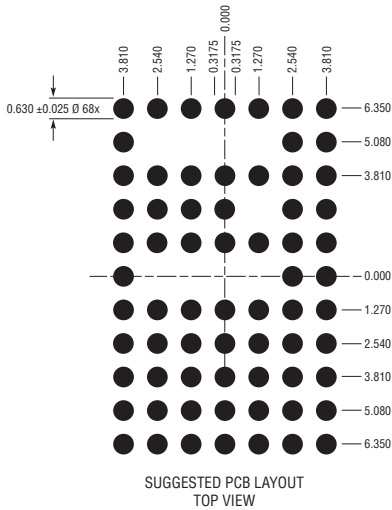
5. PRIMARY DATUM -Z- IS SEATING PLANE

6. SOLDER BALL COMPOSITION CAN BE 96.5% Sn/3.0% Ag/0.5% Cu OR Sn Pb EUTECTIC

7 **!** PACKAGE ROW AND COLUMN LABELING MAY VARY AMONG μ Module PRODUCTS. REVIEW EACH PACKAGE LAYOUT CAREFULLY



BGA 68 1114 REV 0

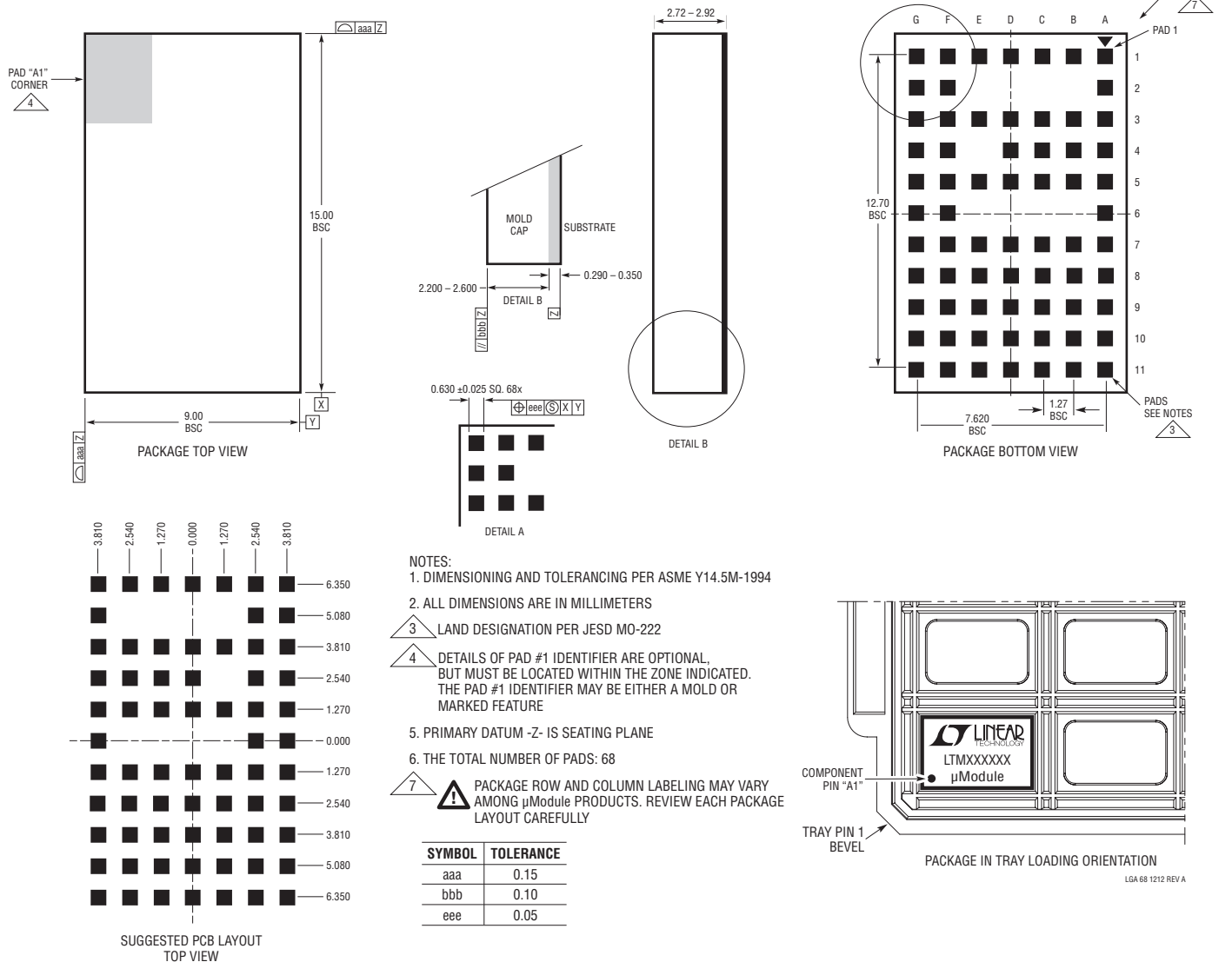


DIMENSIONS				
SYMBOL	MIN	NOM	MAX	NOTES
A	3.22	3.42	3.62	
A1	0.50	0.60	0.70	
A2	2.72	2.82	2.92	
b	0.60	0.75	0.90	
b1	0.60	0.63	0.66	
D	15.00			
E	9.00			
e	1.27			
F	12.70			
G	7.62			
H1	0.27	0.32	0.37	
H2	2.45	2.50	2.55	
aaa			0.15	
bbb			0.10	
ccc			0.20	
ddd			0.30	
eee			0.15	
TOTAL NUMBER OF BALLS: 68				

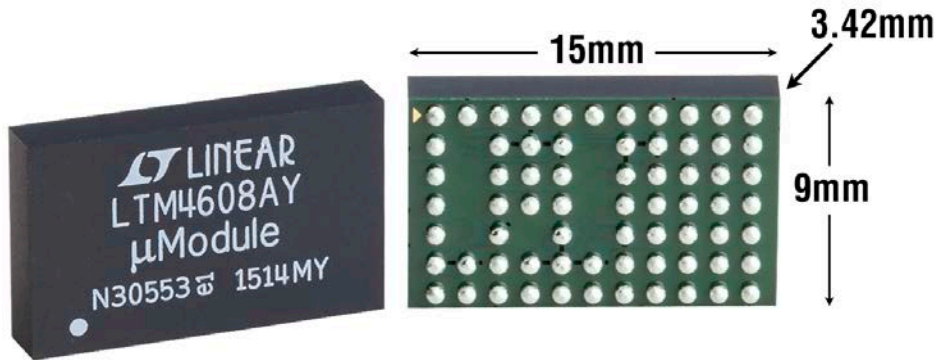
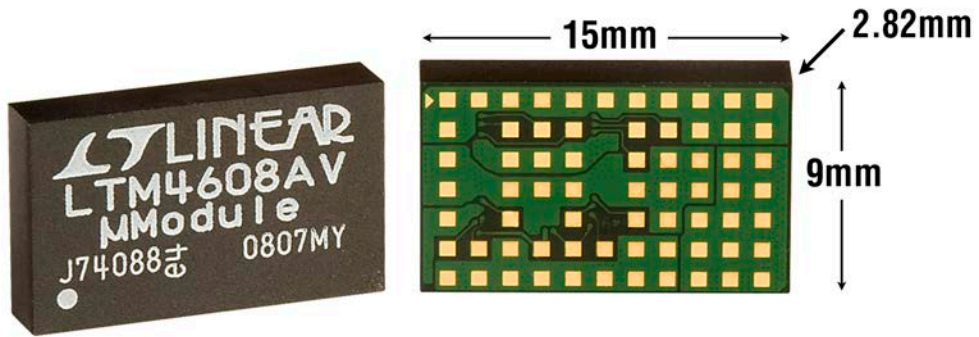
PACKAGE DESCRIPTION

Please refer to <http://www.linear.com/designtools/packaging/> for the most recent package drawings.

LGA Package 68-Lead (15mm × 9mm × 2.82mm) (Reference LTC DWG # 05-08-1821 Rev A)



PACKAGE PHOTOS



REVISION HISTORY (Revision history begins at Rev B)

REV	DATE	DESCRIPTION	PAGE NUMBER
B	12/10	Voltage changed in the Typical Application drawing.	1
		Changes made to the Absolute Maximum Ratings section.	2
		Updated the Pin Configuration package dimensions.	2
		Changes made to the V_{OUT} conditions in the Electrical Characteristics section.	2
		Updated Note 2 in the Electrical Characteristics section.	4
		Replaced graphs G05 and G06 in the Typical Performance Characteristics section.	5
		Updated MGN (B8) in the Pin Functions section.	7
		Text changes made to the Applications Information section.	10, 11, 14, 19
		Changes made to Figures 5, 18, 20, 21, 23.	15, 21, 22, 23
		Updated the Related Parts table.	26
C	3/11	Updated Pin Configuration drawing	2
		Removed Pin Configuration drawing from Pin Functions	8
		Added value of 0.22 μ H to Inductor in Figure 1	9
		Updated Figure 3	13
		Updated Figure 17	20
		Added Package Photo	24
D	3/12	Revised the Typical Application circuit.	1
		Changed the format of the Pin Assignment Table.	26
E	8/15	Added BGA package.	2, 24

PACKAGE DESCRIPTION

Pin Assignment Table
(Arranged by Pin Number)

PIN NAME	PIN FUNCTION	PIN NAME	PIN FUNCTION	PIN NAME	PIN FUNCTION	PIN NAME	PIN FUNCTION	PIN NAME	PIN FUNCTION	PIN NAME	PIN FUNCTION	PIN NAME	PIN FUNCTION
A1	GND	B1	GND	C1	V _{IN}	D1	V _{IN}	E1	SGND	F1	RUN	G1	GND
A2	GND	B2	–	C2	–	D2	–	E2	–	F2	CLKOUT	G2	GND
A3	GND	B3	CLKIN	C3	SW	D3	V _{IN}	E3	PLLLPF	F3	GND	G3	GND
A4	GND	B4	PHMODE	C4	SW	D4	V _{IN}	E4	–	F4	SV _{IN}	G4	GND
A5	GND	B5	MODE	C5	SW	D5	V _{IN}	E5	TRACK	F5	I _{THM}	G5	GND
A6	GND	B6	–	C6	–	D6	–	E6	–	F6	I _{TH}	G6	GND
A7	GND	B7	BSEL	C7	PGOOD	D7	V _{IN}	E7	FB	F7	GND	G7	GND
A8	GND	B8	MGN	C8	V _{IN}	D8	V _{IN}	E8	V _{IN}	F8	GND	G8	GND
A9	GND	B9	GND	C9	V _{IN}	D9	V _{IN}	E9	V _{OUT}	F9	V _{OUT}	G9	V _{OUT}
A10	GND	B10	GND	C10	V _{OUT}	D10	V _{OUT}	E10	V _{OUT}	F10	V _{OUT}	G10	V _{OUT}
A11	GND	B11	GND	C11	V _{OUT}	D11	V _{OUT}	E11	V _{OUT}	F11	V _{OUT}	G11	V _{OUT}

RELATED PARTS

PART NUMBER	DESCRIPTION	COMMENTS
LTM4623	20V _{IN} , 3A Step-Down μ Module Regulator	4V \leq V _{IN} \leq 20V, 0.6V \leq V _{OUT} \leq 5.5V, PLL Input, CLKOUT, V _{OUT} Tracking, PGOOD, 6.25mm \times 6.25mm \times 1.82mm LGA
LTM4624	14V _{IN} , 4A Step-Down μ Module Regulator	4V \leq V _{IN} \leq 14V, 0.6V \leq V _{OUT} \leq 5.5V, V _{OUT} Tracking, PGOOD, 6.25mm \times 6.25mm \times 5.01mm BGA
LTM4625	20V _{IN} , 5A Step-Down μ Module Regulator	4V \leq V _{IN} \leq 20V, 0.6V \leq V _{OUT} \leq 5.5V, PLL Input, CLKOUT, V _{OUT} Tracking, PGOOD, 6.25mm \times 6.25mm \times 5.01mm BGA
LTM4619	Dual, 4A Step-Down μ Module Regulator	4.5V \leq V _{IN} \leq 26.5V, 0.8V \leq V _{OUT} \leq 5V, PLL Input, V _{OUT} Tracking, PGOOD, 15mm \times 15mm \times 2.82mm LGA
LTM4618	26V _{IN} , 6A Step-Down μ Module Regulator	4.5V \leq V _{IN} \leq 26.5V, 0.8V \leq V _{OUT} \leq 5V, PLL Input, V _{OUT} Tracking, 9mm \times 15mm \times 4.32mm LGA
LTM4614	Dual, 4A μ Module Regulator	2.375V \leq V _{IN} \leq 5.5V, 0.8V \leq V _{OUT} \leq 5V, 15mm \times 15mm \times 2.82mm LGA
LTM4622	Ultrathin, Dual 2.5A, Single 5A μ Module Regulator	3.3V \leq V _{IN} \leq 20V, 0.6V \leq V _{OUT} \leq 5.5V, 6.25mm \times 6.25mm \times 1.82mm LGA
LTM4628	Dual 8A, Single 16A μ Module Regulator	4.5V \leq V _{IN} \leq 26.5V, 0.6V \leq V _{OUT} \leq 5.5V, 15mm \times 15mm \times 4.32mm LGA, 15mm \times 15mm \times 4.92mm BGA

Mouser Electronics

Authorized Distributor

Click to View Pricing, Inventory, Delivery & Lifecycle Information:

[Analog Devices Inc.:](#)

[LTM4608AEV#PBF](#) [LTM4608AIV#PBF](#) [LTM4608AMPY](#) [LTM4608AMPY#PBF](#) [LTM4608AMPV#PBF](#)
[LTM4608AIY#PBF](#) [LTM4608AEY#PBF](#)