

4

3

2

1

D

D

C

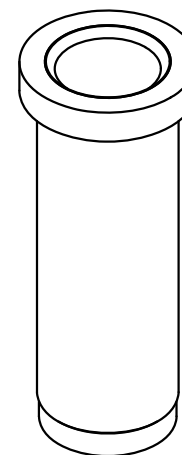
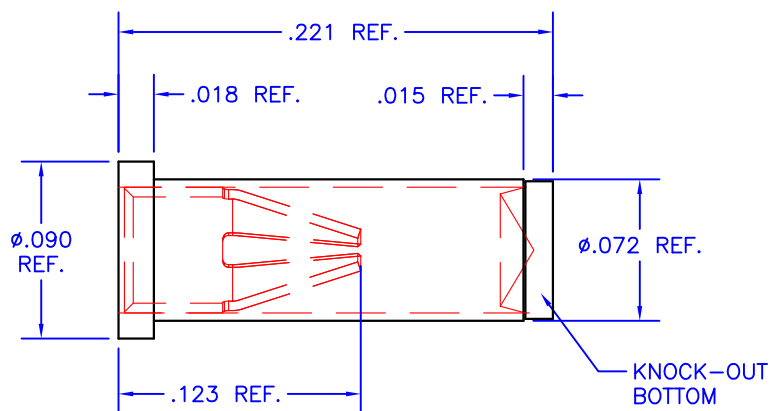
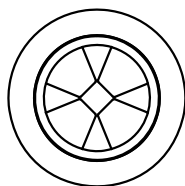
C

B

B

A

A



### NOTES:

1. Unless otherwise noted, dimensions are in inches.
2. Shell: 360 brass, half-hard, with 10  $\mu$ m gold over nickel
3. Contacts: Beryllium copper with 30  $\mu$ m gold over nickel
4. Current rating: 8 amps, for 10°C temperature rise.
5. Solder mount in minimum .075 diameter mounting hole.
6. Mill-Max Part No. 0329-0-15-15-34-27-10-0

TOLERANCES - UNLESS OTHERWISE SPECIFIED

.XX =  $\pm 0.01$  [.254]  
 .XXX =  $\pm 0.005$  [.127]  
 ANG. =  $\pm 5^\circ$



TITLE: PIN RECEPTACLE  
 FOR .032-.046 DIAMETER PINS

SUBJECT: MECHANICAL DRAWING

ENGINEER: D-M DRAWN BY: R.MOR DCA: 13241 SHL: 1 OF 1

MODEL: MS02  
 FILENAME: MS02 REV: D DATE: 03JUN13

4

3

2

1

# Mouser Electronics

Authorized Distributor

Click to View Pricing, Inventory, Delivery & Lifecycle Information:

[Apex Microtechnology:](#)

[MS02](#)