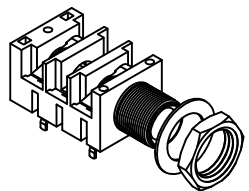
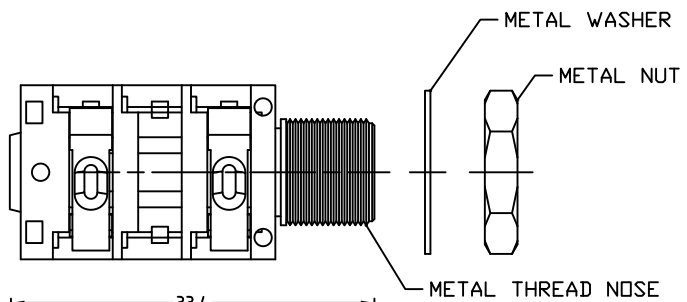


1 2 3 4 5 6

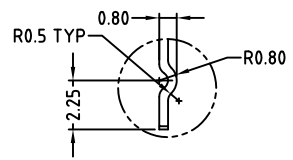
A



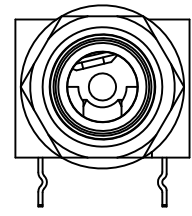
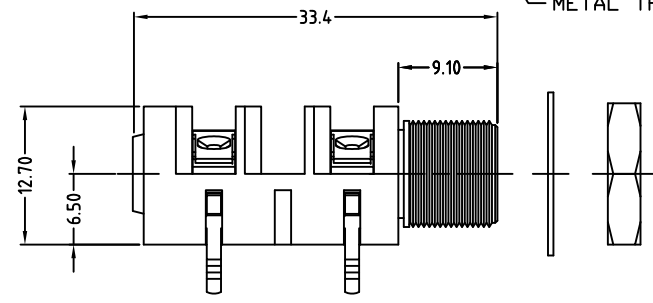
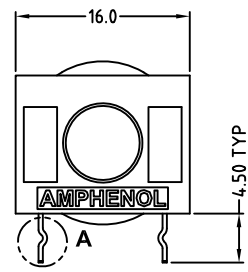
ISO VIEW
SCALE 1:1



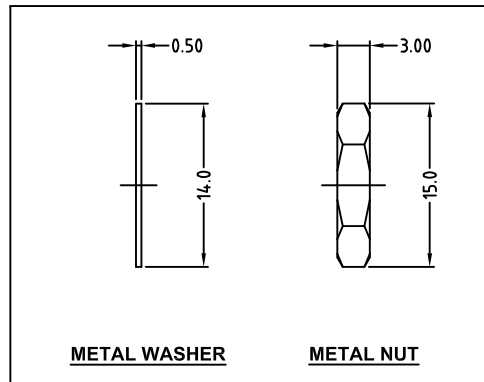
B



DETAIL A
SCALE 4:1

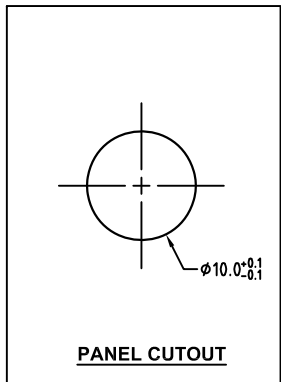


C

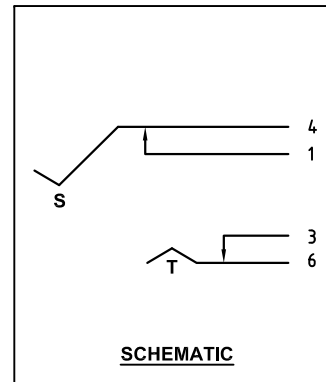


METAL WASHER

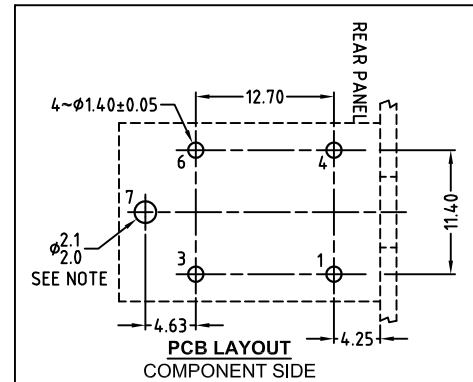
METAL NUT



PANEL CUTOUT



SCHEMATIC



PCB LAYOUT
COMPONENT SIDE

D

E

NOTE: OPTIONAL MOUNTING HOLE FOR SELF-TAPPING M2 SCREW

CATALOGUE P/N	NUT OPTION
ACJM-LHDRM	NO NUT & WASHER
ACJM-MHDRM	METAL NUT & WASHER INCLUDED

UNLESS OTHERWISE SPECIFIED TOLERANCE TO BE		THIS DOCUMENT IS THE PROPERTY OF AMPHENOL AUSTRALIA PTY. LTD. NO PART THEREOF MAY BE REPRODUCED AND USED WITHOUT THE PRIOR WRITTEN CONSENT OF THE OWNER			
LINEAR	ANGULAR	CAD FILE: 55010661001110	DRN: M.H	DATE: 11-03-10	TITLE:
X ± 0.5	X° ± 1°	MATL: REFER TO COMPONENTS	CKD: M.N.H	DATE: 20-04-16	1/4" PHONE MONO JACK
X.X ± 0.2	X°X' ± 30'	DO NOT SCALE	FINISH: REFER TO COMPONENTS	APP'D: P.M	CUSTOMER DRAWING
X.XX ± 0.1	X°X'X" ± 15'	DIMENSIONS IN MILLIMETRES		SCALE: 2:1 UOS	PART No: REFER TO TABLE

1	REDUCE METAL WASHER OD FROM 15mm TO 14mm	MH	20-04-16	9342
0	FIRST ISSUE	M.N.H	11-03-10	----
REV.	CHANGE DETAILS	BY	DATE	CHG/No

Amphenol
Amphenol Australia Pty Ltd, 22 Industry Blvd, Corrum Downs, Vic 3201
DRAWING NO. 55010661-001-2
SHEET 2 OF 2

F

1 2 3 4 5 6