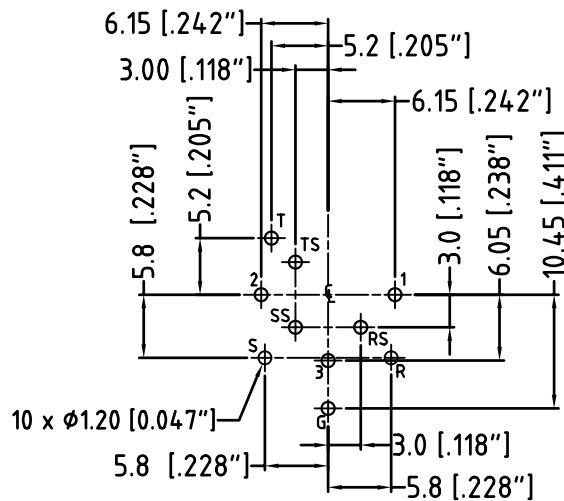
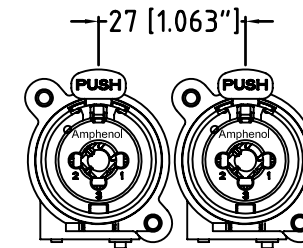
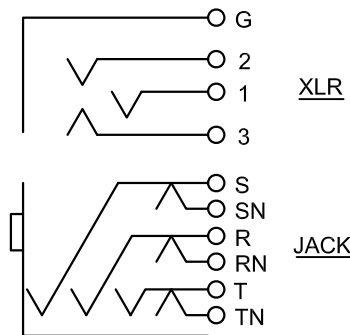


PANEL CUT OUT  
FRONT VIEW



PCB LAYOUT  
(component side)  
TOLERANCE:  $\pm 0.05\text{mm}$  [0.002"]

CONTACTS SCHEMATIC CHART



MIN MOUNTING PITCH  
ACTUAL SIZE



1	Correct Minimum Mounting Pitch dimension from 14mm to 27mm	M.H	19-03-09	8811
REV.	FIRST ISSUE	M.H	05-10-07	----
	CHANGE DETAILS	BY	DATE	CHG/No

UNLESS OTHERWISE SPECIFIED TOLERANCE TO BE		THIS DOCUMENT IS THE PROPERTY OF AMPHENOL AUSTRALIA PTY. LTD. NO PART THEREOF MAY BE REPRODUCED AND USED WITHOUT THE PRIOR WRITTEN CONSENT OF THE OWNER			
LINEAR	ANGULAR	CAD FILE:	55010436000111	DRN:	M.H
X $\pm$ 0.5	X° $\pm$ 1°	MATL:	REFER TO COMPONENT	CKD:	P.M
X.X $\pm$ 0.1	X°X' $\pm$ 30'	DO NOT SCALE	FINISH: REFER TO COMPONENT	APP'D:	P.M
X.XX $\pm$ 0.05	X°X'X" $\pm$ 15"	DIMENSIONS IN MILLIMETRES	THIRD ANGLE PROJECTION	SCALE:	2:1 UDS
BREAK ALL SHARP EDGES AND REMOVE ALL BURRS		DO NOT SCALE		DATE:	05-10-07
				DATE:	19-03-09
				DATE:	19-03-09

TITLE:	ACJC9V C-TYPE CUSTOMER DRAWING	<b>Amphenol</b> Amphenol Australia Pty.Ltd, 2 Fireways Blvd, Keysborough, Vic3173
PART No:	ACJC9V	DRAWING NO. 55010436-000-1
SIZE:	A3	SHEET 2 OF 2