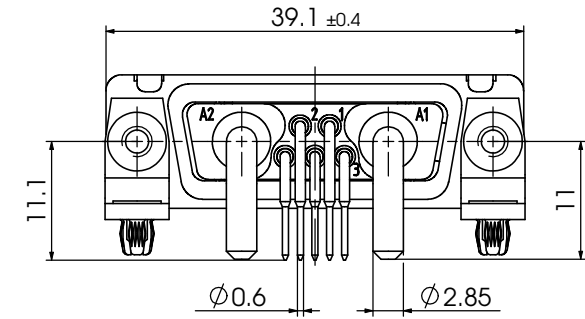
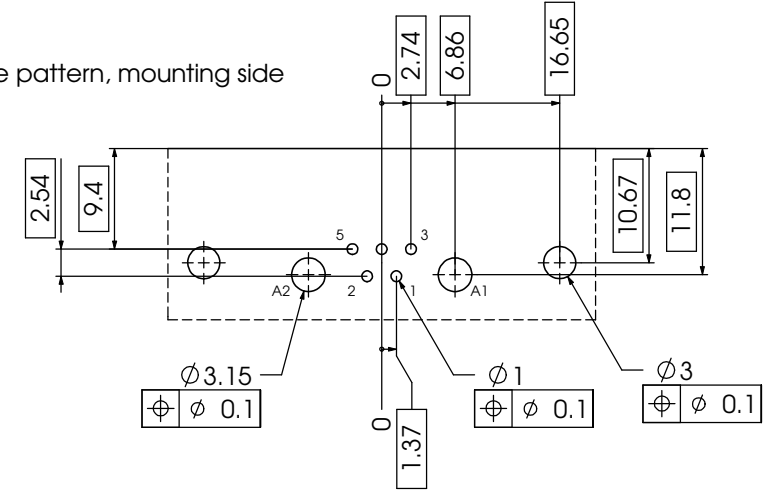


PCB hole pattern, mounting side



No.	St.	Part	Type Description / Material	Surface plating / Colour / Class
7	2	Snap-in rivet	PCB 1.6mm / Brass	tin plated
6	2	Clinch nut	MW 4-40 / Steel	tin plated
5	2	Bracket	F1080-13B / Steel	tin plated
4	2	High power contact	FMP008P104R	20A
3	5	Signal contact	P5 / Brass	0.8µm Au
2	1	Shell	Steel	tin plated
1	1	Insulator	PBT (-55°C - +130°C)	green

		SCALE	TITLE
Measurement without tolerance acc. to ISO 2768-m		2:1	D-Sub Mixed-Layout Connector
NAME / DATE			
DRAWN		DWG.NO.	
mpostulka		FM7W2P5-1343	
15-09-2009		REV.	
CHECKED		1	
birgit.rinder		ORIGINAL: DIN A3-DRAWING AS A FILE	
16-09-2009		REPLACEMENT FOR:	
		PAGES 1	

COMMENT: ALL RIGHTS ARE RESERVED BY US FOR THIS DRAWING. WITHOUT OUR PRIOR CONSENT, IT IS NOT TO BE REPRODUCED OR TRANSMITTED IN ANY FORM OR BY ANY MEANS, ELECTRONIC OR MECHANICAL, INCLUDING PHOTOCOPYING, RECORDING, OR BY ANY INFORMATION STORAGE AND RETRIEVAL SYSTEM. IT IS ALSO NOT TO BE IMPROPERLY USED BY THE RECEIVER, OR A THIRD PARTY.