

# Push Button Switch

**Q-10462**

TYPE: **R13-527C2L**

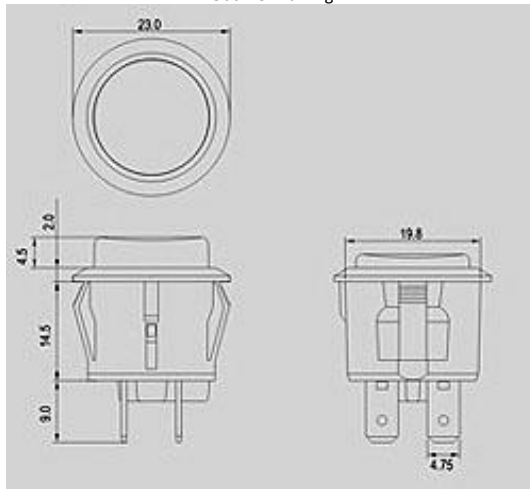


**Waterproof**

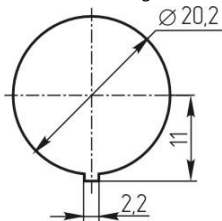
## SPECIFICATIONS

Rating: 10A 12V DC  
 Contact R: 50mΩ max  
 Insulation R: 500V DC 100MΩ min  
 Dielectric Strength: 1 Minute 1000V AC  
 Operating Temperature: -25°C ~ +85°C  
 Electrical Life: 10, 000 Cycles

Outline Drawing



Mounting



Circuitry

