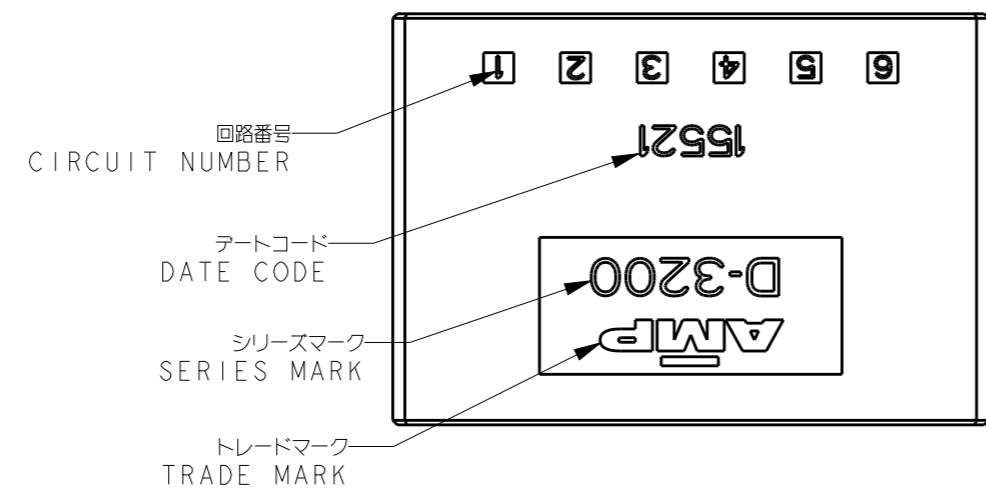


THIS DRAWING IS UNPUBLISHED. RELEASED FOR PUBLICATION 20
 © COPYRIGHT 20 BY - ALL RIGHTS RESERVED.

REVISIONS				
P	LTR	DESCRIPTION	DATE	APVD
	A	RELEASED	05SEP2016	Y.O
	AI	ADD NEW PART NUMBER. ECR-17-004498	27MAR2017	Y.O

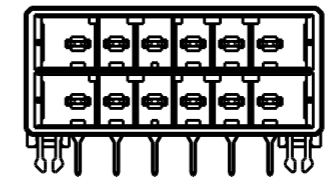
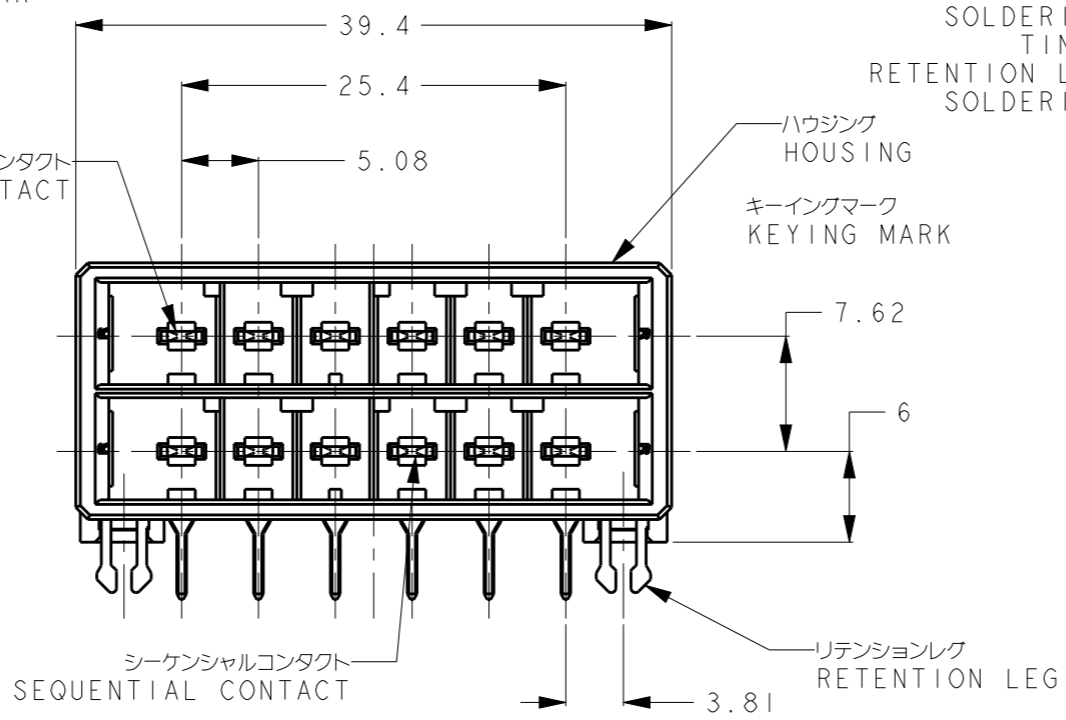
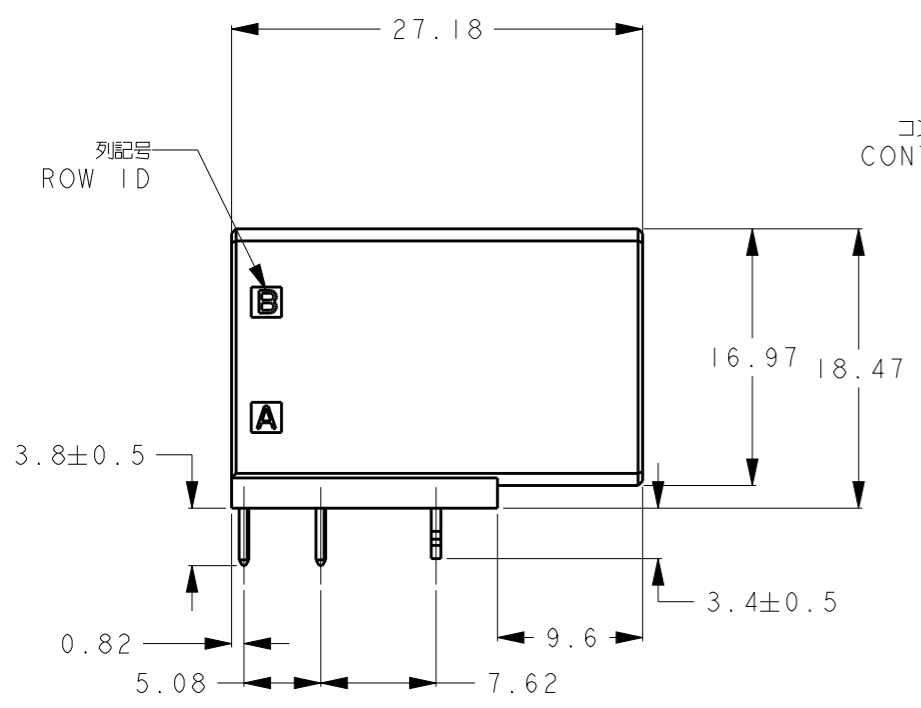


1. MATERIAL
 HOUSING: THERMO PLASTIC POLYESTER
 COLOR: BLACK
 CONTACT: COPPER ALLOY
 RETENTION LEG: COPPER ALLOY

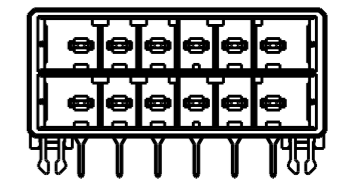
1. 材料
 ハウジング: 熱可塑性ポリエステル 色: 黒色
 コンタクト: 銅合金
 リテンションレグ: 銅合金

2. FINISH
 CONTACT: Ni UNDER-PLATING ALLOVER
 CONTACT AREA: GOLD PLATING OVER Ni PLATING 0.38um MIN
 SOLDERING AREA (CONTACT TAIL): TIN PLATING
 RETENTION LEG: Ni UNDER-PLATING ALLOVER
 SOLDERING AREA: TIN PLATING

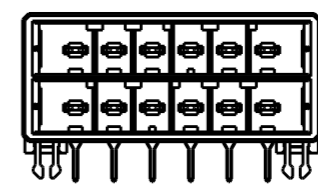
2. 仕上げ
 コンタクト: 全面Ni下地
 接点部: 0.38um MIN金めっき
 半田付け部: 錫めっき
 リテンションレグ: 全面Ni下地
 半田付け部: 錫めっき



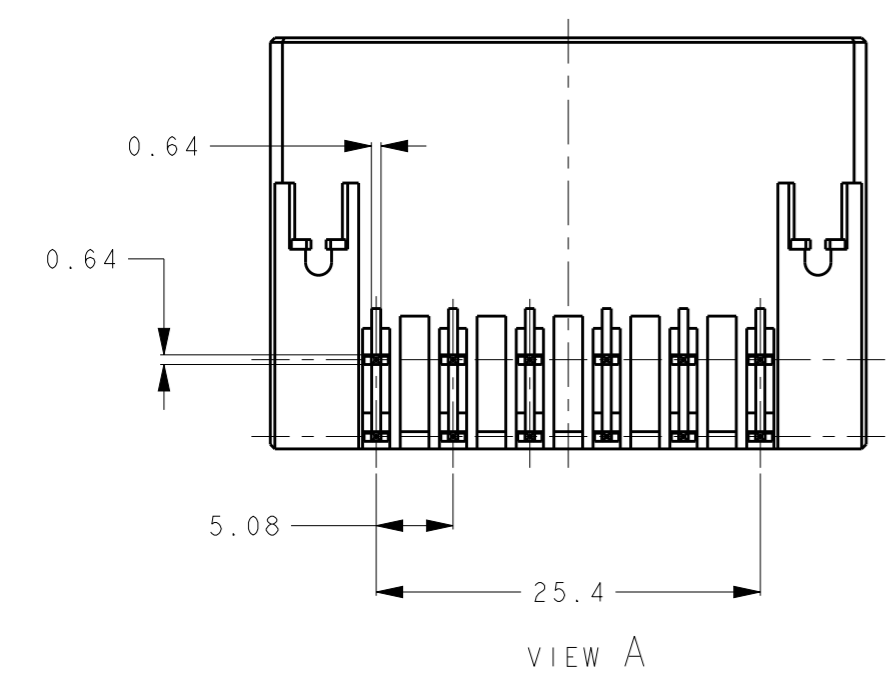
スケール 1:1
 SCALE 1:1
 RR-KEYING
 1-2299005-1



スケール 1:1
 SCALE 1:1
 SS-KEYING
 2-2299005-1



スケール 1:1
 SCALE 1:1
 RS-KEYING
 3-2299005-1



A	4	2	RS	3-2299005-1
A	4	2	SS	2-2299005-1
A	4	2	RR	1-2299005-1
列記号 ROW ID	回路番号 CIRCUIT NUMBER	仕上げ FINISH	キーイング KEYING	型番 PART NUMBER
シーケンシャルコンタクト位置 POSITION OF SEQUENTIAL CONTACT				

THIS DRAWING IS A CONTROLLED DOCUMENT.

DWN Y. OKADA 12APR2016	TE Connectivity	NAME 名称 HEADER HOUSING, 12POSN, DOUBLE ROW, HORIZONTAL, DYNAMIC 3200M	
CHK E. TAKEMASA 13APR2016			
APVD N. YAMASAKI 13APR2016			
PRODUCT SPEC 製品規格 108-5349			
MATERIAL 材料 SEE NOTE	FINISH 仕上 SEE TABLE	APPLICATION SPEC 取付適用規格 -	
WEIGHT -	SIZE A3	CAGE CODE -	
CUSTOMER DRAWING	DRAWING NO 番号 C-2299005	RESTRICTED TO -	
SCALE 尺度 2:1		SHEET 1 OF 2	REV AI

THIS DRAWING IS UNPUBLISHED.

RELEASED FOR PUBLICATION 20

© COPYRIGHT 20 BY - ALL RIGHTS RESERVED.

REVISIONS

変更

P	LTR	DESCRIPTION	DATE	DWN	APVD
-	-	SEE SHEET 1	-	-	-

D

D

C

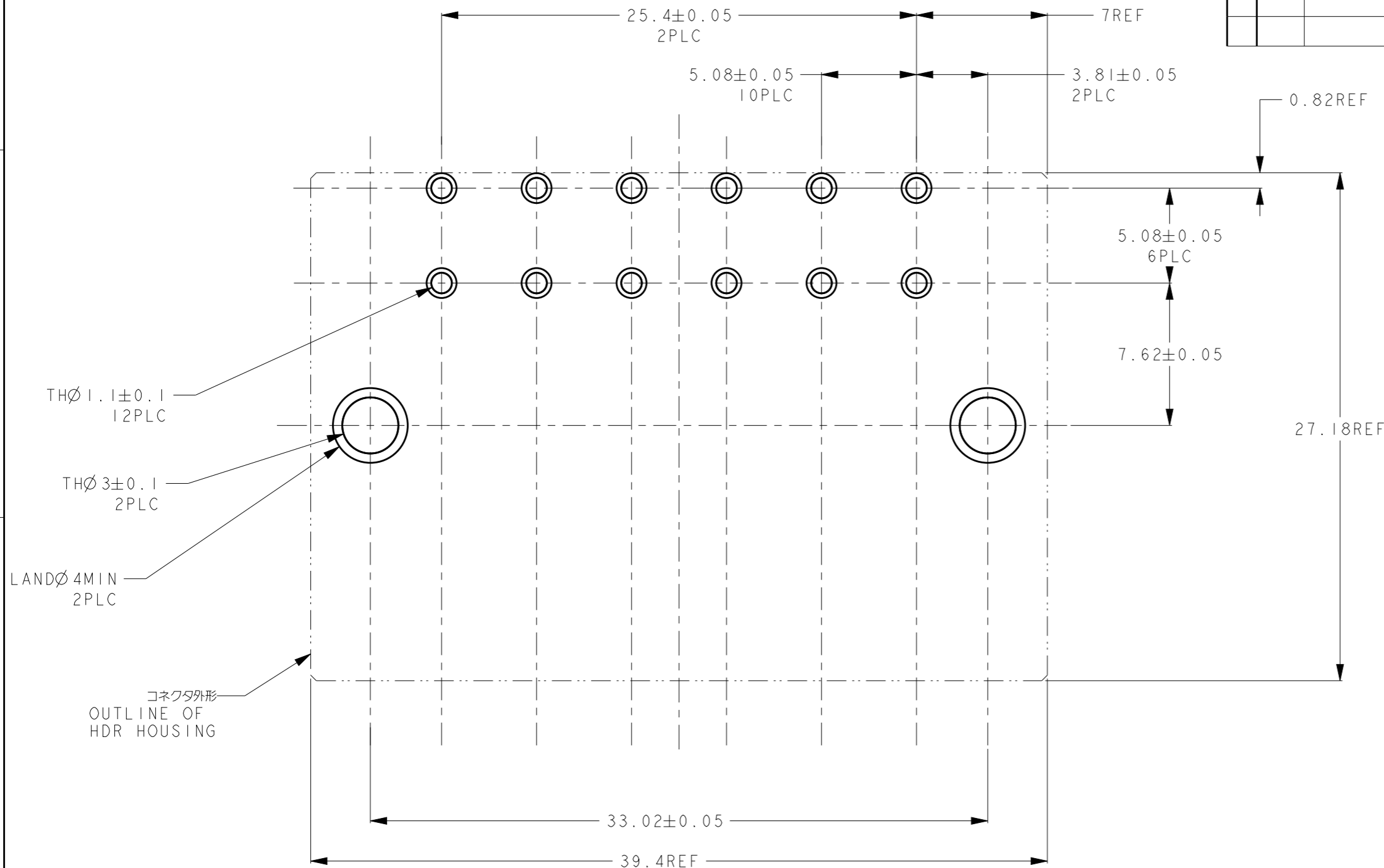
C

B

B

A

A



THØ 1.1±0.1
12PLC

THØ 3±0.1
2PLC

LANDØ 4MIN
2PLC

コネクタ外形
OUTLINE OF
HDR HOUSING

推奨基板レイアウト 板厚: 1.6±0.1
RECOMENDED PCB LAYOUT
THICKNESS: 1.6±0.1

THIS DRAWING IS A CONTROLLED DOCUMENT.

DIMENSIONS: 単位: 概 mm	TOLERANCES UNLESS OTHERWISE SPECIFIED:
一般公差	±0.4
0 PLC	±0.5
1 PLC	±0.1
2 PLC	±0.01
3 PLC	±0.005
4 PLC	±
ANGLES	±3°

MATERIAL
材料

SEE NOTE

TOLERANCES UNLESS OTHERWISE SPECIFIED:
一般公差 ±0.4
0 PLC ±0.5
1 PLC ±0.1
2 PLC ±0.01
3 PLC ±0.005
4 PLC ±
ANGLES ±3°

FINISH
仕上

SEE TABLE

DWN	Y. OKADA	12APR2016
CHK	E. TAKEMASA	13APR2016
APVD	N. YAMASAKI	13APR2016

PRODUCT SPEC
製品規格
108-5349

APPLICATION SPEC
取付適用規格
-

WEIGHT
-

CUSTOMER DRAWING



TE Connectivity

NAME
名称
HEADER HOUSING, 12POSN,
DOUBLE ROW, HORIZONTAL,
DYNAMIC 3200M

SIZE	CAGE CODE	DRAWING NO 番号	RESTRICTED TO
A3	-	①-2299005	-

SCALE
尺度 2:1

SHEET 2 OF 2

REV A1

Mouser Electronics

Authorized Distributor

Click to View Pricing, Inventory, Delivery & Lifecycle Information:

[TE Connectivity:](#)

[1-2299005-1](#)