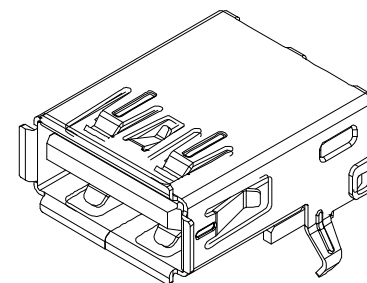
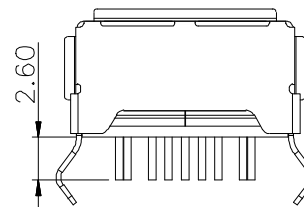
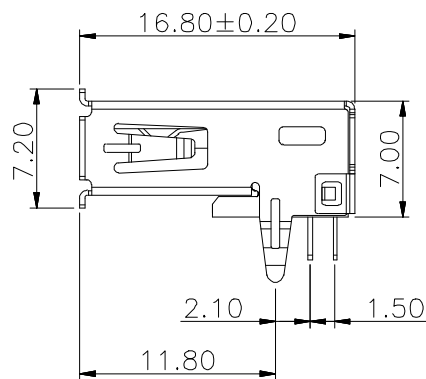
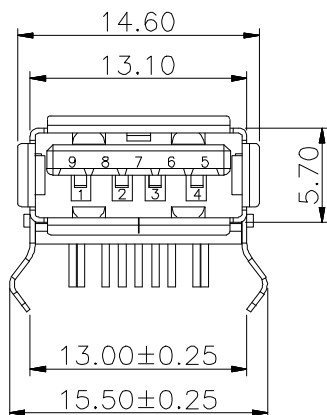
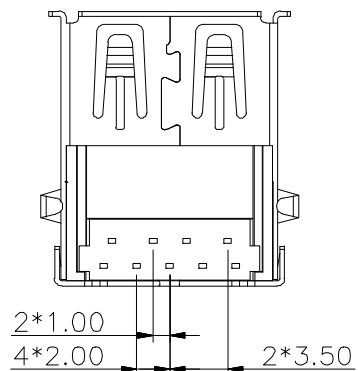


NOTES:

1. MATERIAL:
 - 1.1. HOUSING: PBT ,COLOR IS BLUE;
 - 1.2. CONTACT: BRASS (H65 T=0.20&0.25mm);
 - 1.3. SHELL: COLD ROLLED IRON (SPCC T=0.30mm);
2. ELECTRICAL:
 - 4.1. VOLTAGE RATING: 30V DC ;
 - 4.2. CURRENT RATING: 1.5A ;
 - 4.3. CONTACT RESISTANCE: 30MILLIOHMS MAX.;
 - 4.4. WITHSTAND VOLTAGE: 100V AC RMS 50(60)Hz,1MIN.;
 - 4.5. INSULATION RESISTANCE: 100MEG OHMS MIN @500V DC;
5. MECHANICAL:
 - 5.1. MATING FORCE: 35N MAX.;
 - 5.2. UNMATING FORCE: 5~35N ;
 - 5.3. OPERATING LIFE: 1500 CYCLES MIN.;
6. PLATING:
 - 6.1. TERMINAL:
NI PLATING OVER ALL,
Tin PLATING ON SOLDER AREA,
Au G/Fu ON CONTACT AREA;
 - 6.2. SHELL: NI PLATING OVER ALL;
7. ENVIRONMENTAL:
 - 7.1. STORAGE TEMPERATURE RANGE: -40°C~+85°C;
 - 7.2. OPERATION TEMPERATURE RANGE: -25°C~+70°C;



PIN NUMBER	SIGNAL NAME
PIN 1	Vbus
PIN 2	D-
PIN 3	D+
PIN 4	GND
PIN 5	StdA_SSRX-
PIN 6	StdA_SSRX+
PIN 7	GND_DRAIN
PIN 8	StdA_SSTX-
PIN 9	StdA_SSTX+
SHELL	GND



		GENREL TOLERANCE		制图	深圳市华灿天禄电子有限公司		
				DRAWING	ShenzhenhuaciantianluELECTRONICS CO.,LTD		
		DIM TOL		审核			
		X.X ±0.30		CHECK			
		X.XX ±0.20		批准	产品名称	TYPE AF 9P 3.0 L16.8mm	版本
		X.XXX ±0.10		APPROVAL	TITLE	弯脚 卷边	REV.
		Angle ±3.0°		比例	产品料号	HC-ST-003-01-J	A
				SCALE	PART NO.		单位
				投影	MATERIAL		UNITS
序号	变更内容	日期		Projection			页次
No.	MODIFY CONTENT	MODIFY DATE					SHEET

A
B
C

A
B
C