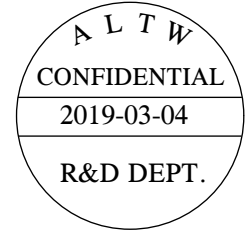
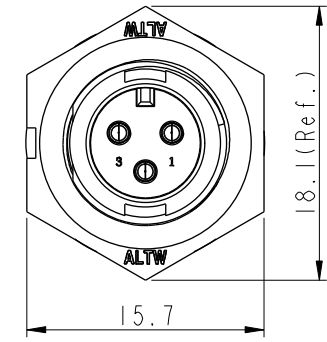
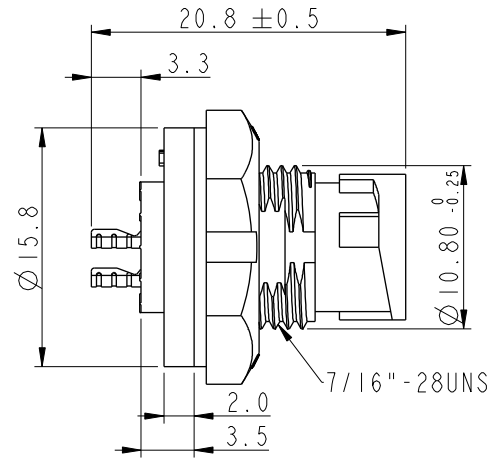
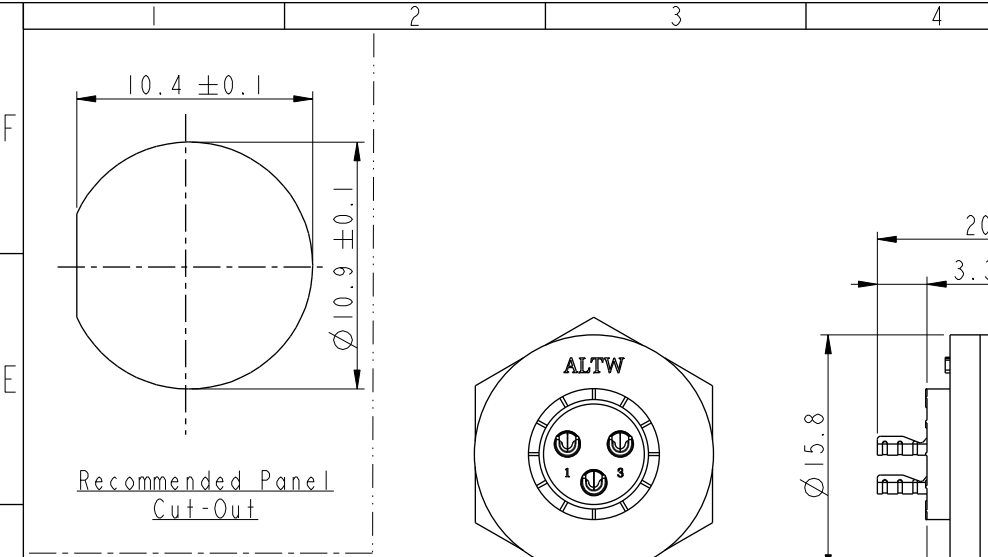
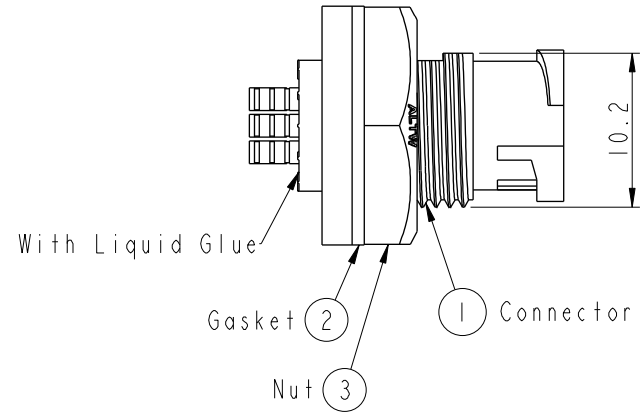


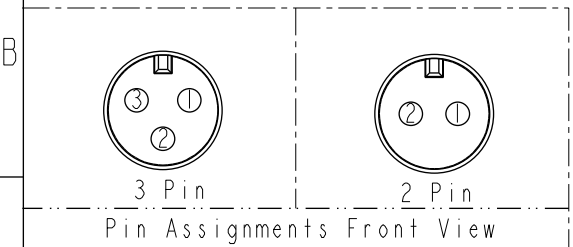
REV.	ECN NO.	DATE	SIGN	DESCRIPTION
B	C190323	2019/03/04	Vicky	Change Note



AAD-XXPMMS-LC7001
 02: 2Pin
 03: 3Pin



- Note:**
- * CC Important Dimension To Check.
 - * Waterproof Rate: IP67, Unmated.
 - * Housing: Thermoplastic, Black.
 - * Pin: Copper Alloy, Gold Plated.
 - * Nut: Thermoplastic, Black.
 - * Gasket: Rubber, Gray.
 - * Use with waterproof cap or dust cap
Maximum Panel Thickness: 2.3mm
 - * Use without waterproof cap or dust cap
Maximum Panel Thickness: 3.5mm
 - * Gasket and Nut are packed separately in PE bags.
(Gasket/Nut不組裝, 散裝出貨)



UNIT: mm		TITLE MINI PANEL SCREW M CONN M PIN			ITEM NO	DRAWN BY	DATE
		TOLERANCE .X ±0.25 .XX ±0.1 .XXX ±0.05 ANGLES ±1°	SCALE 2:1	SIZE A4	SHEET 1 OF 1	DWG NO AAD-XXPMMS-LC7001	CHECKED BY Rita
		REV. B	WC-REV. A.3	CC : Inspection item Amphenol LTW 安費諾亮泰企業股份有限公司	CUSTOMER ALTW	APPROVED BY Max	DATE 2019-03-04

THIS DOCUMENT IS SUBJECT TO CHANGE WITHOUT NOTICE. IT IS CONFIDENTIAL AND A PROPERTY OF AMPHENOL LTW. DISCLOSURE TO THIRD PARTY HAS TO BE AUTHORIZED BY AMPHENOL LTW.

Mouser Electronics

Authorized Distributor

Click to View Pricing, Inventory, Delivery & Lifecycle Information:

[Amphenol:](#)

[AAD-02PMMS-LC7001](#) [AAD-03PMMS-LC7001](#)