

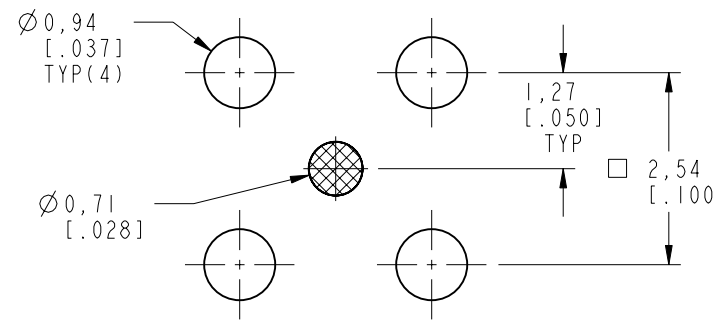
NOTES:

1. MATERIALS AND FINISHES:  
 BODY - BRASS, GOLD PLATING  
 CONTACT - BeCu, GOLD PLATING  
 INSULATOR - PTFE, NATURAL  
 CAP - PTFE, NATURAL
2. ELECTRICAL:  
 A. IMPEDANCE: 50 OHM  
 B. FREQUENCY RANGE: DC - 26.5 GHz  
 C. DIELECTRIC WITHSTANDING VOLTAGE: 335 VRMS, MIN.
3. MECHANICAL:  
 A. DURABILITY: 100 CYCLES MIN.  
 B. TEMPERATURE RANGE: -65°C TO +165°C
4. PACKAGING:  
 A. TAPE & REEL: 1000 PCS/REEL  
 B. MARKING: TAG TO BE MARKED  
 "AMPHENOL RF, 925-202J-5IPT & DATE CODE"

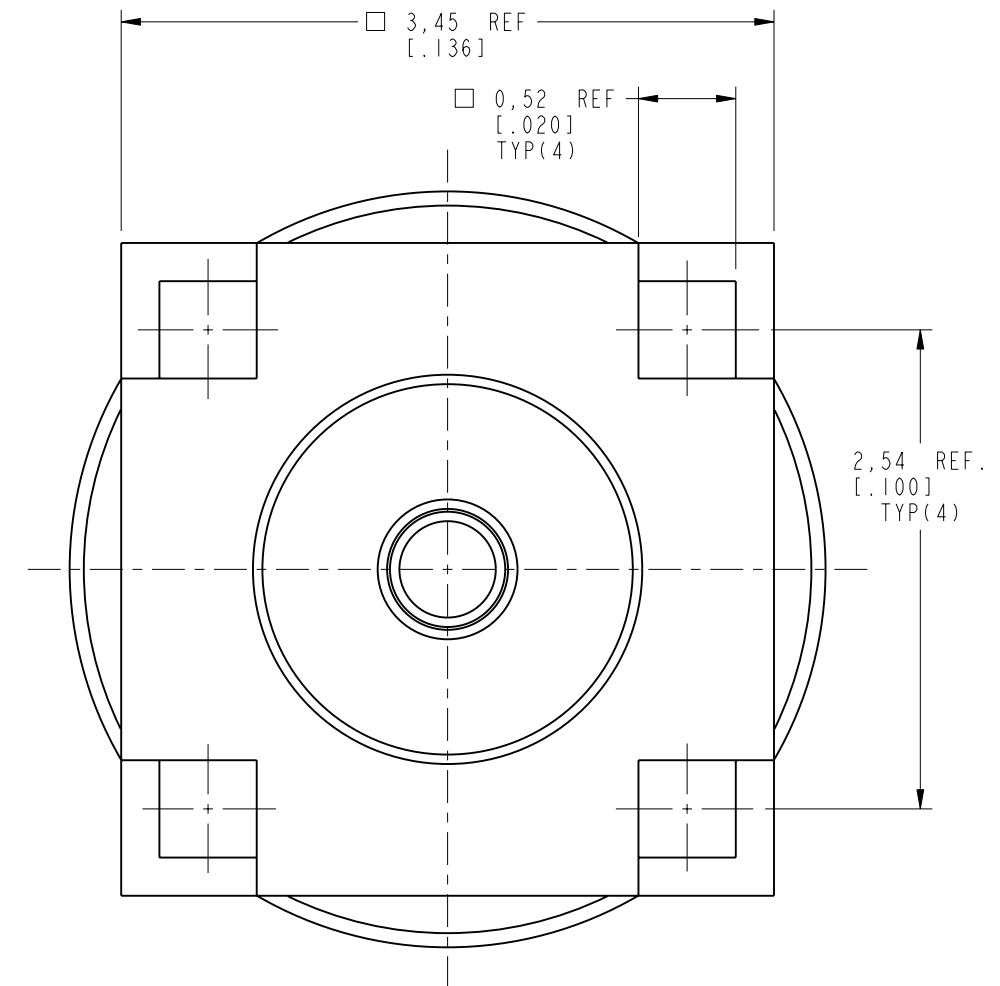
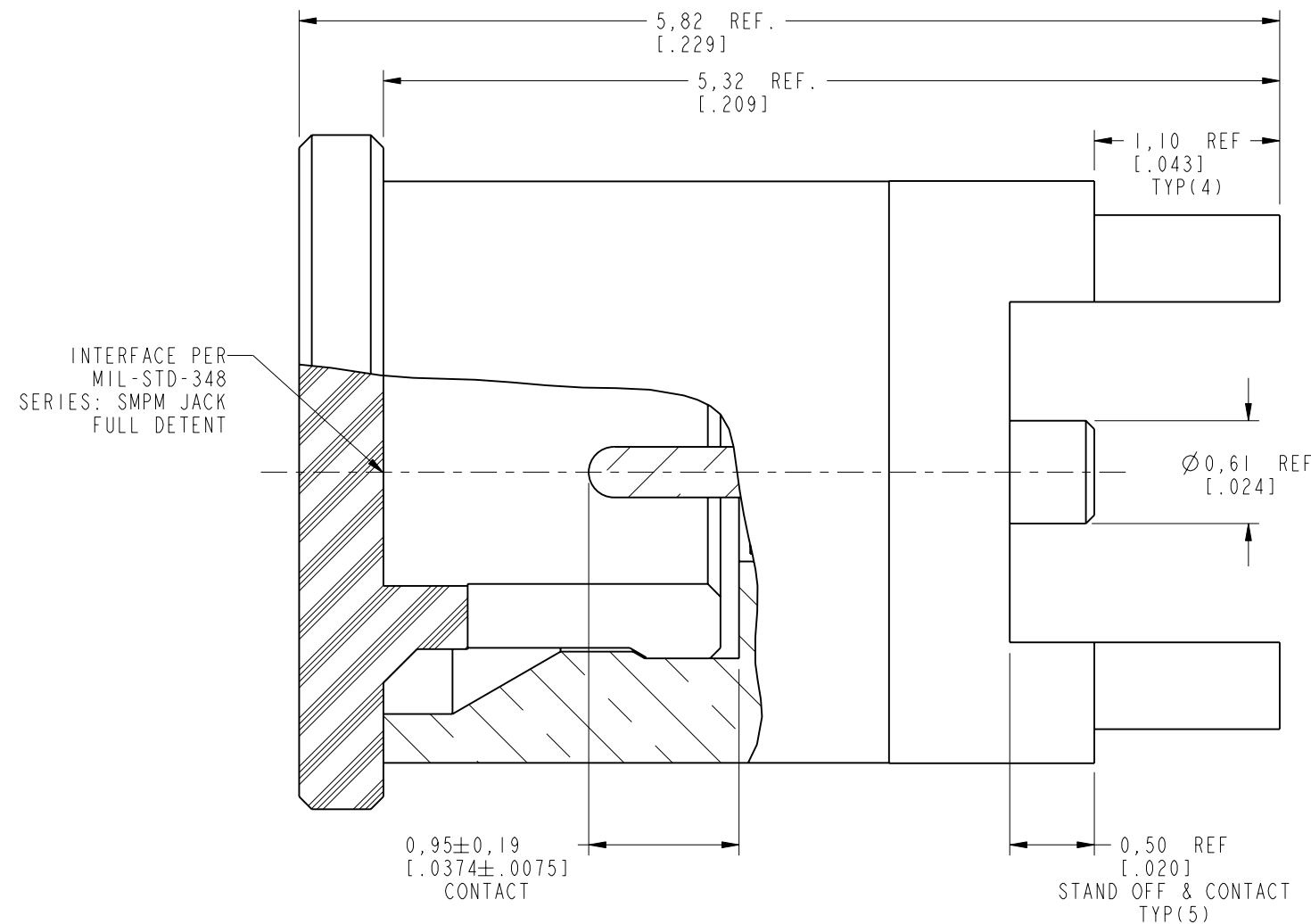
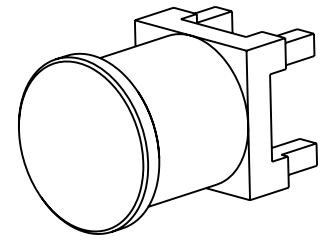
THIRD ANGLE PROJ.

REVISIONS

REV	DESCRIPTION	DATE	ECN	APPR
A	RELEASE TO MFG.	01-Mar-19	10601	EH



RECOMMENDED MOUNTING HOLE DIMENSIONS



**CUSTOMER OUTLINE DRAWING**  
 ALL OTHER SHEETS ARE FOR INTERNAL USE ONLY

UNLESS OTHERWISE SPECIFIED, DIMENSIONS ARE IN METRIC AND TOLERANCES ARE: <0.5mm ±0.05mm    0.5 - 6mm ±0.1mm    6 - 30mm ±0.2mm    30 - 120mm ±0.3mm    ANGLES ±1°	MATERIAL	DRAWN	DATE	TITLE SMPM STR JACK FULL DETENT PCB THROUGH HOLE 4 LEGS RECEPTACLE (TAPE & REEL)		Amphenol RF www.amphenolrf.com		
	SEE NOTES	M. ZHANG	01-Mar-19					
NOTICE - These drawings, specifications, or other data (1) are, and remain the property of Amphenol corp. (2) must be returned upon request; and (3) are confidential and not to be disclosed to any person other than those to whom they are given by Amphenol Corp. the furnishing of these drawings, specifications, or other data by Amphenol Corp., or to any other person to anyone for any purpose is not to be regarded by implication or otherwise in any manner licensing, granting rights to permitting such holder or any other person to manufacture, use or sell any product, process or design, patented or otherwise, that may in any way be related to or disclosed by said drawings, specifications, or other data.	REFERENCE	ENGINEER	DATE	SCALE: 25.0:1.0 SHEET 2 OF 3		DRAWING NO. 925-202J-5IPT ITEM NO. 925-202J-5IPT		
	EAR# 8619	E. HILL	07-Feb-19					
	REF: SAME AS 925-202J-5IP EXCEPT THE PACK	APPROVED	S. HSIEH	DATE	DWG SIZE B	REV A	PART NO. 925-202J-5IPT	
	CONFIGURATION LEVEL: In Work	CAD FILE		01-Mar-19				
FINISH								

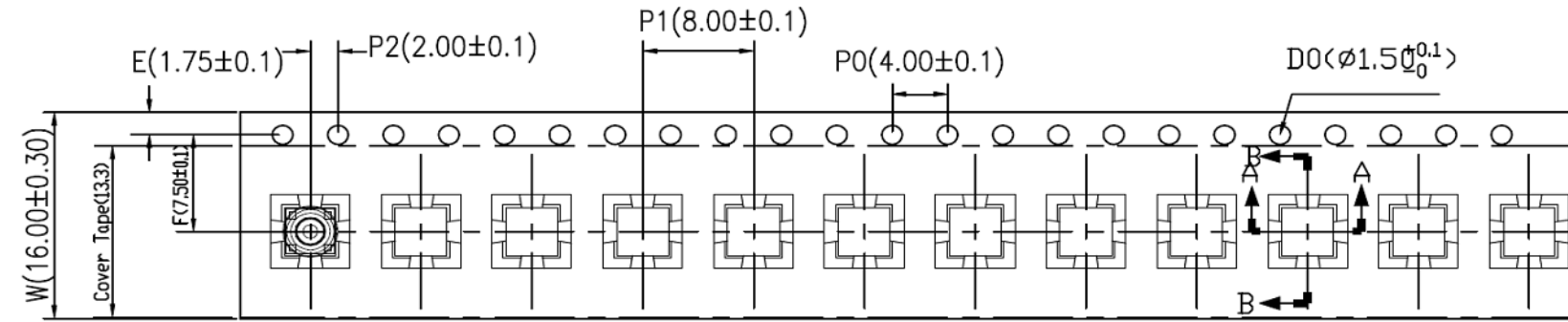
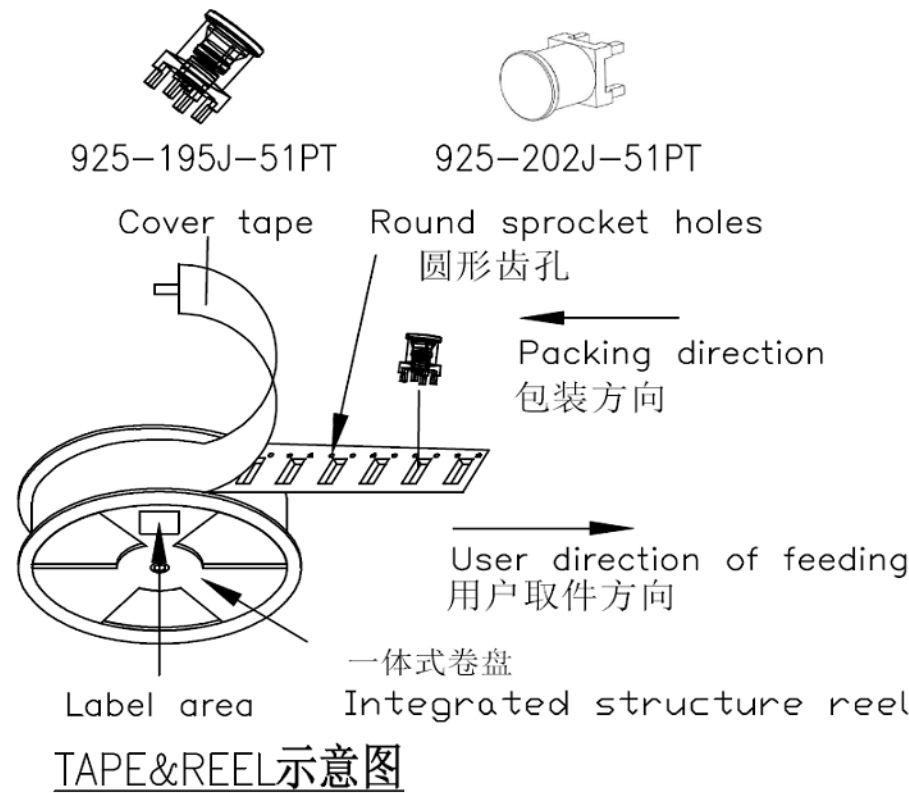
NOTES:

FOR CONNECTOR DETAILS, SEE SHEET 2

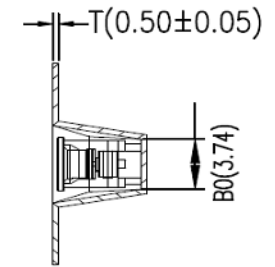
THIRD ANGLE PROJ.

REVISIONS

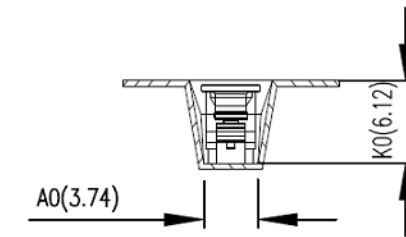
REV	DESCRIPTION	DATE	ECN	APPR
A	RELEASE TO MFG.	01-Mar-19	10601	EH



用户取件方向  
User direction of feeding



SECTION B-B



SECTION A-A

NOTES:

- 10 sprocket holes pitch cumulative tolerance  $\pm 0.20$  mm.
- Carrier camber not to exceed 1 mm in 250 mm.
- A0 and B0 measured on a plane 0.3 mm above the bottom of the pocket.
- K0 measured from a plane on the inside bottom of the pocket to the top surface of the carrier.
- All dimensions meet EIA-481-D requirements.
- Material: Carrier TAPE, Blue PS; REEL, Black (RoHS Compliant)
- Thickness:  $0.50 \pm 0.05$  mm.
- Packing length per 13" reel: 8.832 Meters.
- Component loader per 13" reel: 1000 pcs.

注:未注公差為:±0.10

NOTE: ALL TOLERANCES ARE:  $\pm 0.10$ , EXCEPT WHERE NOTED

ITEM	W	A <sub>0</sub>	B <sub>0</sub>	K <sub>0</sub>	K <sub>1</sub>	P <sub>1</sub>	F	E	D <sub>0</sub>	B <sub>1</sub>	P <sub>0</sub>	P <sub>2</sub>	T
DIM	16.00 <sup>+0.30</sup> / <sub>-0.30</sub>	3.74 <sup>+0.10</sup> / <sub>-0.10</sub>	3.74 <sup>+0.10</sup> / <sub>-0.10</sub>	6.12 <sup>+0.10</sup> / <sub>-0.10</sub>	/	8.00 <sup>+0.10</sup> / <sub>-0.10</sub>	7.50 <sup>+0.10</sup> / <sub>-0.10</sub>	1.75 <sup>+0.10</sup> / <sub>-0.10</sub>	1.50 <sup>+0.10</sup> / <sub>-0.00</sub>	/	4.00 <sup>+0.10</sup> / <sub>-0.10</sub>	2.00 <sup>+0.10</sup> / <sub>-0.10</sub>	0.50 <sup>+0.05</sup> / <sub>-0.05</sub>

UNLESS OTHERWISE SPECIFIED, DIMENSIONS ARE IN METRIC AND TOLERANCES ARE:  
 <0.5mm ±0.05mm    0.5 - 6mm ±0.1mm    6 - 30mm ±0.2mm    30 - 120mm ±0.3mm    ANGLES ±1°

NOTICE - These drawings, specifications, or other data (1) are, and remain the property of Amphenol corp. (2) must be returned upon request; and (3) are confidential and not to be disclosed to any person other than those to whom they are given by Amphenol Corp. the furnishing of these drawings, specifications, or other data by Amphenol Corp., or to any other person to anyone for any purpose is not to be regarded by implication or otherwise in any manner licensing, granting rights to permitting such holder or any other person to manufacture, use or sell any product, process or design, patented or otherwise, that may in any way be related to or disclosed by said drawings, specifications, or other data.

MATERIAL	DRAWN M. ZHANG	DATE 01-Mar-19	TITLE SMPM STR JACK FULL DETENT PCB THROUGH HOLE 4 LEGS RECEPTACLE (TAPE & REEL)	Amphenol RF www.amphenolrf.com
REFERENCE EAR# 8619	ENGINEER E. HILL	DATE 07-Feb-19	SCALE: 30.0:1.0   SHEET 3 OF 3	
REF: SAME AS 925-202J-51P EXCEPT THE PACK	APPROVED S. HSIEH	DATE 01-Mar-19	DWG SIZE B	
CONFIGURATION LEVEL: In Work	CAD FILE		REV A	
FINISH				DRAWING NO. 925-202J-51PT ITEM NO. 925-202J-51PT PART NO. 925-202J-51PT

# Mouser Electronics

Authorized Distributor

Click to View Pricing, Inventory, Delivery & Lifecycle Information:

[Amphenol:](#)

[925-202J-51PT](#)