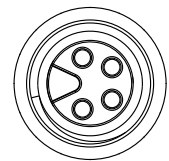
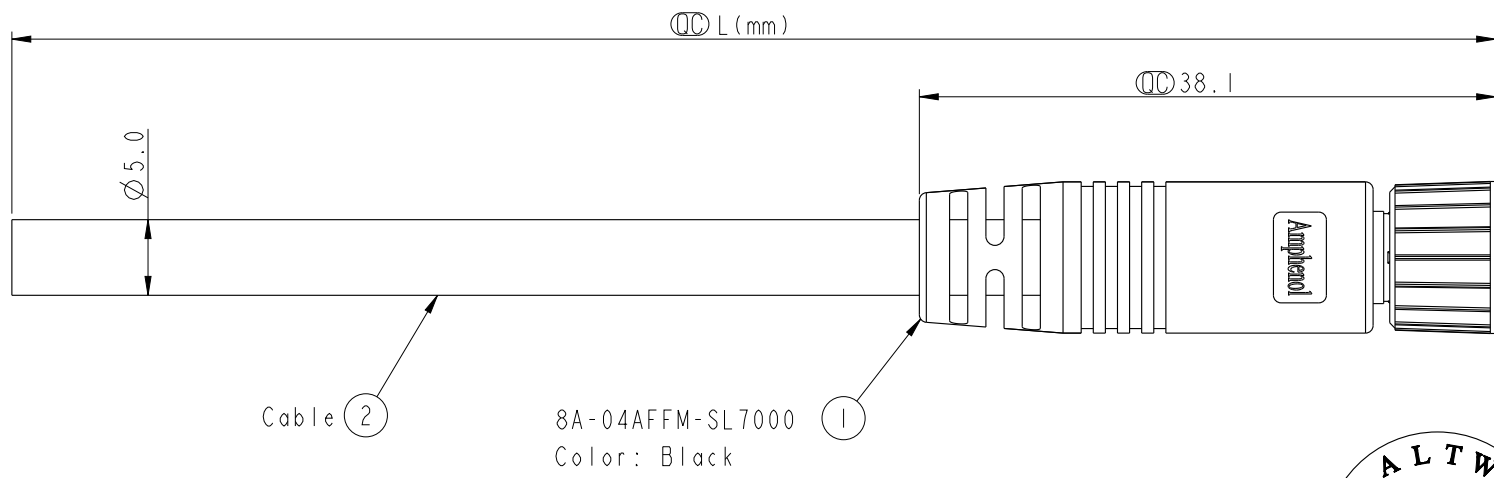
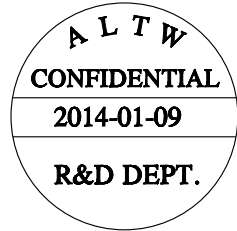


THIS DOCUMENT IS SUBJECT TO CHANGE WITHOUT NOTICE. IT IS CONFIDENTIAL AND A PROPERTY OF Amphenol LTW. DISCLOSURE TO THIRD PARTY HAS TO BE AUTHORIZED BY Amphenol LTW.

REV.	ECN NO.	DATE	SIGN	DESCRIPTION

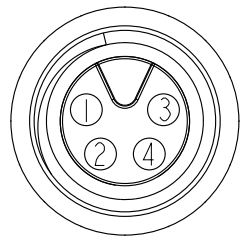


Conn.



8A-04AFFM-SL7AXX
 XX: 01~99Meters
 01: 01Meter
 02: 02Meter
 ...
 99: 99Meters
 Cable Length(L): 01~99Meters

- Note:
- * (C) Important Dimension.
 - * Waterproof Rate: IP67.
 - * Connector: PU, Black.
 - * Female Pin: Copper Alloy, Gold Plated.
 - * Screw Nut: Zinc Alloy, Nickel Plated.
 - * O-Ring: Viton, Green.
 - * Cable: UL2464 22AWG*4C+Talcum, PVC Jacket, UV Resistant, OD=5.0, Black.
 - * Cable Length Tolerance: 01M: ±40mm
 02~05M: ±60mm
 06~10M: ±100mm
 11~30M: ±200mm
 31~99M: ±500mm



Pin Assignments Front View

Pin	Wire Color	Pin Out
4	Black 黑	
3	Blue 藍	
2	White 白	
1	Brown 棕	
Conn.	Wire Color	Pin Out

UNIT:mm		TITLE
TOLERANCE	±0.5 mm	M8 4Pin Cable F Conn. F Pin
SCALE	2:1	SIZE A4
REV.	A	SHEET 1 OF 1
WC-REV.	A.3	(C): Inspection item

Amphenol LTW
 安費諾亮泰企業股份有限公司

ITEM NO	DRAWN BY	DATE
DWG NO	CHECKED BY	DATE
CUSTOMER	APPROVED BY	DATE
8A-04AFFM-SL7AXX	Mila	2014-01-09
ALTW	Jimmy	2014-01-09
	Jerry	2014-01-09

Mouser Electronics

Authorized Distributor

Click to View Pricing, Inventory, Delivery & Lifecycle Information:

[Amphenol:](#)

[8A-04AFFM-SL7A05](#) [8A-04AFFM-SL7A02](#) [8A-04AFFM-SL7A01](#)