

Customer Information Sheet

DRAWING No.: M80-826XXXX

SHEET 2 OF 2

IF IN DOUBT - ASK

©

NOT TO SCALE

THIRD ANGLE PROJECTION

ALL DIMENSIONS IN mm

NOTES:

- 2-OFF STRAIN RELIEF STRAPS M80-0030006 MAY BE USED WITH THIS CONNECTOR.

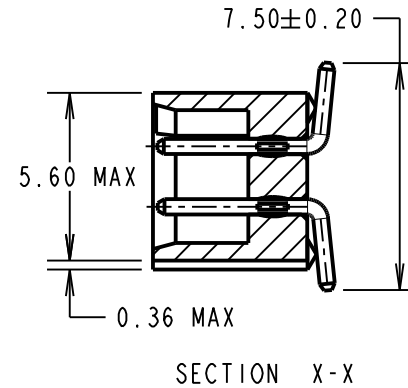
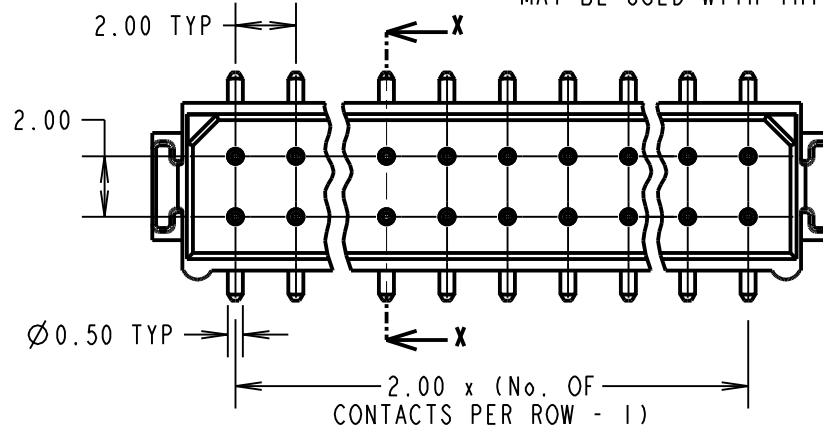
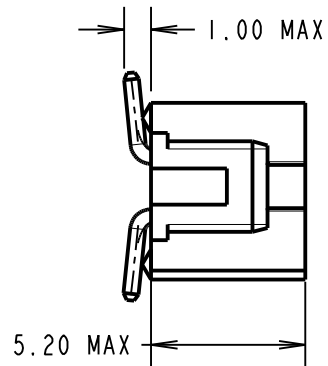
ORDER CODE:

M80-826XXXX

TOTAL No. OF WAYS
04, 06, 08, 10, 12,
14, 16, 18, 20, 26,
34

FINISH

- 22 - SELECTIVE GOLD
+ TIN/LEAD
- 42 - SELECTIVE GOLD
+ 100% TIN
- 45 - GOLD

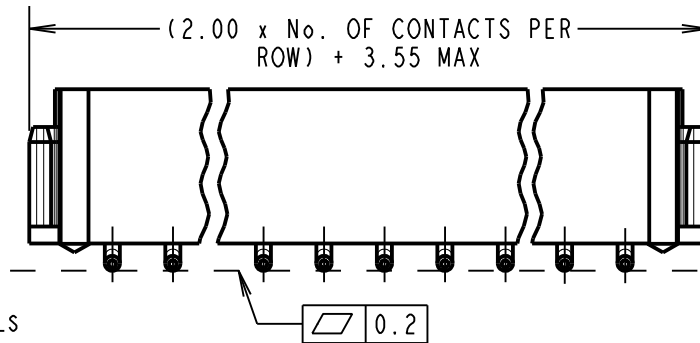


SPECIFICATIONS:

MATERIAL:
MOULDING = G-F PPS UL94V-0, BLACK
CONTACTS = PHOSPHOR BRONZE

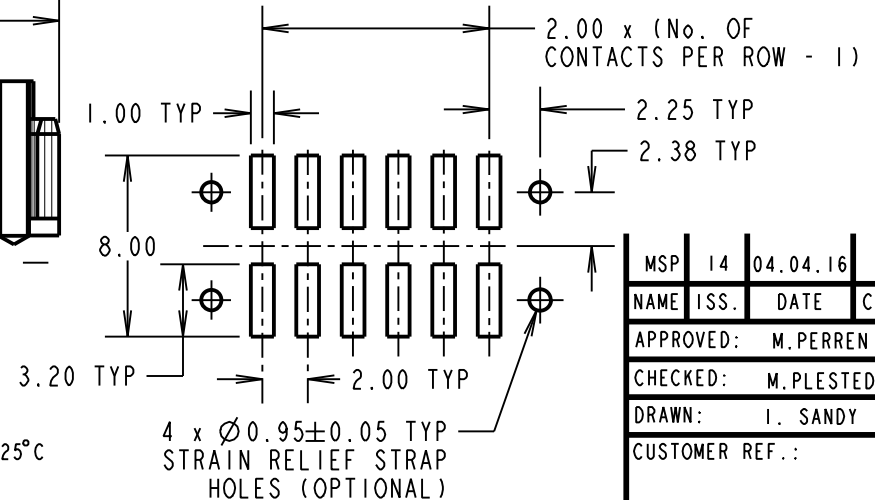
FINISH:
CONTACTS:
22 = 0.75µ GOLD ON CONTACT AREA,
3.0µ 90/10 TIN/LEAD ON TAILS
42 = 0.75µ GOLD ON CONTACT AREA,
3.0µ 100% TIN OVER NICKEL ON TAILS
45 = 0.75µ GOLD ALL OVER

ELECTRICAL:
CURRENT RATING AT 25°C = 3.0A MAX
CURRENT RATING AT 85°C = 2.2A MAX
WORKING VOLTAGE = 800V AC/DC
VOLTAGE PROOF = 1200V AC/DC
CONTACT RESISTANCE (INITIAL) = 20mΩ MAX
CONTACT RESISTANCE (AFTER CONDITIONING) = 25mΩ MAX
INSULATION RESISTANCE (INITIAL) = 1,000Ω MIN
INSULATION RESISTANCE (AFTER CONDITIONING) = 100Ω MIN



MECHANICAL:
DURABILITY = 500 OPERATIONS
ENVIRONMENTAL:
TEMPERATURE RANGE = -55°C TO +125°C
PACKING:
TUBE

FOR COMPLETE SPECIFICATION, SEE COMPONENT SPECIFICATION C005XX (LATEST ISSUE)



RECOMMENDED
PCB LAYOUT

| | | | |
|--------------------|------|----------|--------|
| MSP | 14 | 04.04.16 | 13302 |
| NAME | ISS. | DATE | C/NOTE |
| APPROVED: M.PERREN | | | |
| CHECKED: M.PLESTED | | | |
| DRAWN: I. SANDY | | | |
| CUSTOMER REF.: | | | |
| ASSEMBLY DRG: | | | |

HARWIN

www.harwin.com
technical@harwin.com

THIS DRAWING AND ANY INFORMATION OR DESCRIPTIVE MATTER SET OUT HEREON ARE CONFIDENTIAL AND COPYRIGHT PROPERTY OF THE HARWIN GROUP AND MUST NOT BE DISCLOSED, LOANED, COPIED OR USED FOR MANUFACTURING, TENDERING OR FOR ANY OTHER PURPOSE WITHOUT THEIR WRITTEN PERMISSION.

TOLERANCES
X. = ±1mm
X.X = ±0.50mm
X.XX = ±0.10mm
X.XXX = ±0.01mm
ANGLES = ±5°
UNLESS STATED

MATERIAL:
SEE ABOVE
FINISH: SEE ABOVE
S/AREA: mm²

TITLE: DATAMATE L-TEK
MALE DIL VERTICAL SMT
ASSEMBLY - UNLATCHED
DRAWING NUMBER:
M80-826XXXX

Mouser Electronics

Authorized Distributor

Click to View Pricing, Inventory, Delivery & Lifecycle Information:

Harwin:

[M80-8262622](#) [M80-8261422](#) [M80-8262022](#) [M80-8261222](#) [M80-8261022](#) [M80-8263422](#) [M80-8261622](#) [M80-8260822](#) [M80-8260622](#) [M80-8260442](#) [M80-8260842](#) [M80-8262042](#) [M80-8261642](#) [M80-8261242](#) [M80-8261042](#) [M80-8263442](#) [M80-8261442](#) [M80-8262642](#) [M80-8261822](#) [M80-8261842](#) [M80-8264422](#) [M80-8264442](#) [M80-8260642](#) [M80-8260445](#) [M80-8260645](#) [M80-8260845](#) [M80-8261045](#) [M80-8261245](#) [M80-8261445](#) [M80-8261845](#) [M80-8262045](#) [M80-8262645](#)