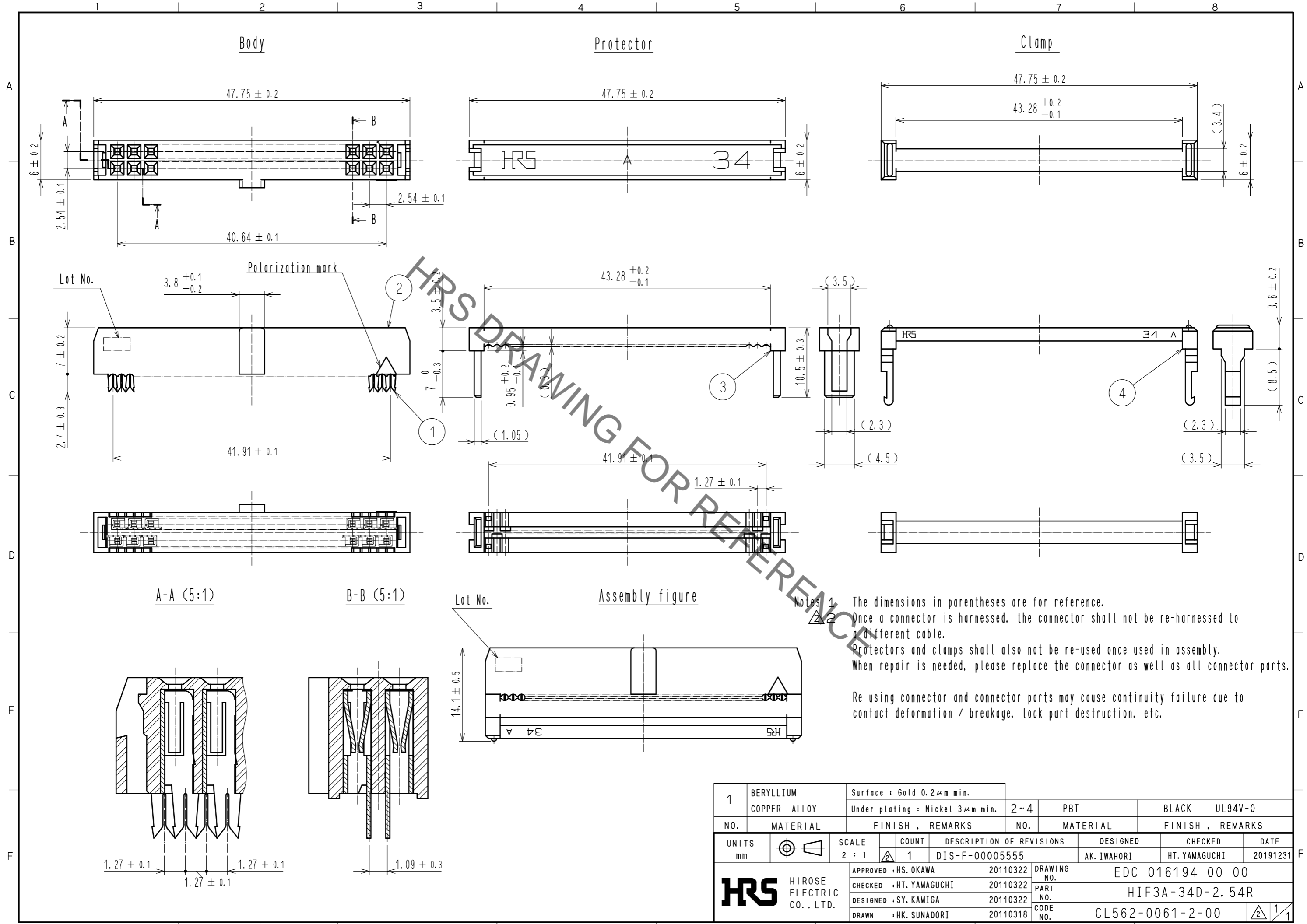


Aug.1.2020 Copyright 2020 HIROSE ELECTRIC CO., LTD. All Rights Reserved.
In case of consideration for using Automotive equipment / device which demand high reliability, kindly contact our sales window correspondents.



1	BERYLLIUM COPPER ALLOY	Surface : Gold 0.2µm min. Under plating : Nickel 3µm min.	2~4	PBT	BLACK	UL94V-0
NO.	MATERIAL	FINISH . REMARKS	NO.	MATERIAL	FINISH . REMARKS	
UNITS mm		SCALE 2 : 1	COUNT 1	DESCRIPTION OF REVISIONS DIS-F-00005555	DESIGNED AK. IWAHORI	CHECKED HT. YAMAGUCHI
HRS HIROSE ELECTRIC CO., LTD.		APPROVED : HS. OKAWA	20110322	DRAWING NO. EDC-016194-00-00		
		CHECKED : HT. YAMAGUCHI	20110322	PART NO. HIF3A-34D-2.54R		
		DESIGNED : SY. KAMIGA	20110322	CODE NO. CL562-0061-2-00		
		DRAWN : HK. SUNADORI	20110318	1/1		

Mouser Electronics

Authorized Distributor

Click to View Pricing, Inventory, Delivery & Lifecycle Information:

[Hirose Electric:](#)

[HIF3A-34D-2.54R](#)