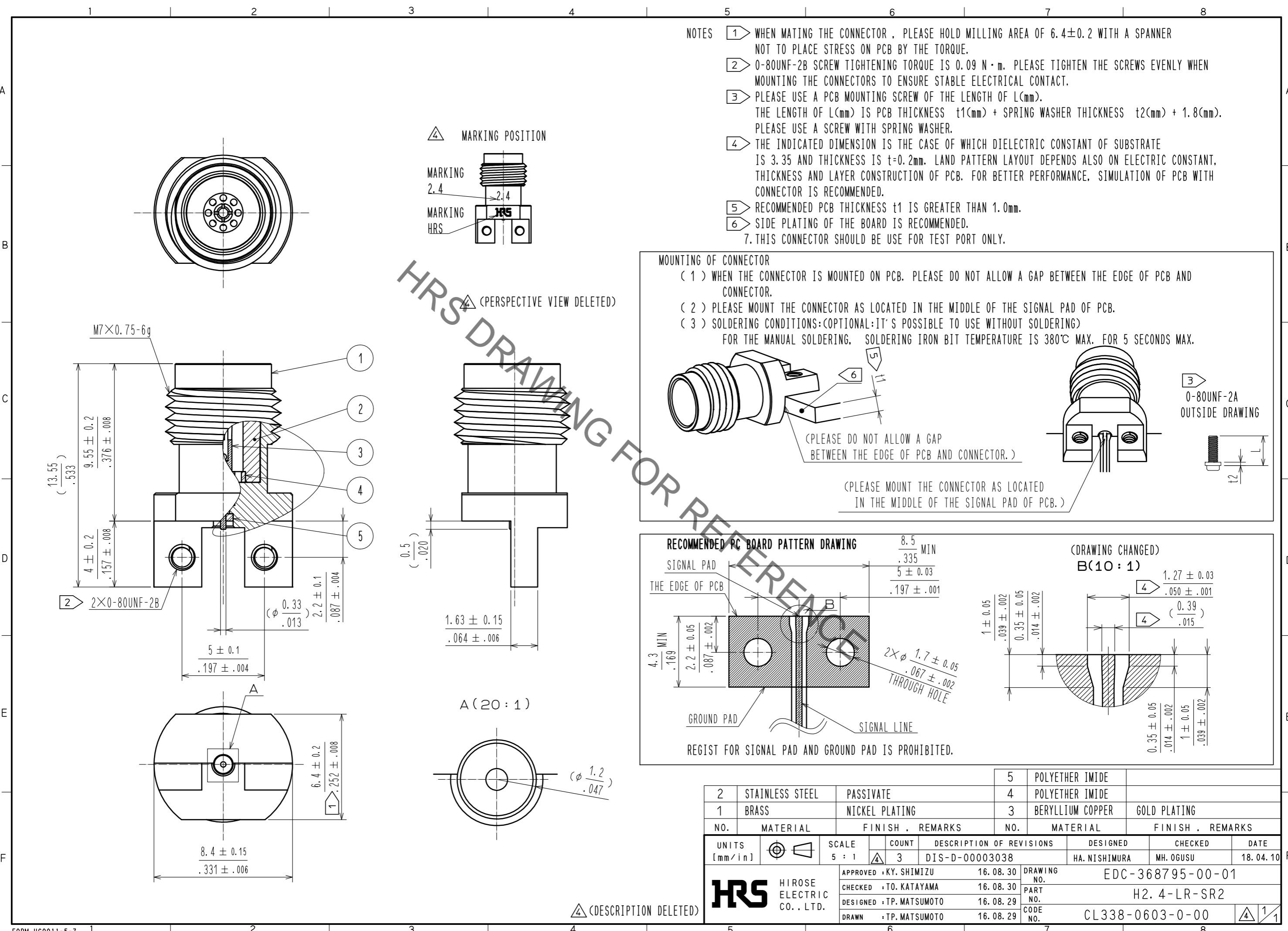


Jul.1.2020 Copyright 2020 HIROSE ELECTRIC CO., LTD. All Rights Reserved.
 In case of consideration for using Automotive equipment / device which demand high reliability, kindly contact our sales window correspondents.



2	STAINLESS STEEL	PASSIVATE	5	POLYETHER IMIDE	
1	BRASS	NICKEL PLATING	4	POLYETHER IMIDE	
			3	BERYLLIUM COPPER	GOLD PLATING
NO.	MATERIAL	FINISH . REMARKS	NO.	MATERIAL	FINISH . REMARKS
UNITS [mm/in]		SCALE 5:1	COUNT 3	DESCRIPTION OF REVISIONS DIS-D-00003038	DESIGNED HA. NISHIMURA
					CHECKED MH. OGUSU
					DATE 18.04.10
					APPROVED : KY. SHIMIZU 16.08.30
					CHECKED : TO. KATAYAMA 16.08.30
					DESIGNED : TP. MATSUMOTO 16.08.29
					DRAWN : TP. MATSUMOTO 16.08.29
					DRAWING NO. EDC-368795-00-01
					PART NO. H2.4-LR-SR2
					CODE NO. CL338-0603-0-00

Mouser Electronics

Authorized Distributor

Click to View Pricing, Inventory, Delivery & Lifecycle Information:

[Hirose Electric:](#)

[H2.4-LR-SR2](#)