



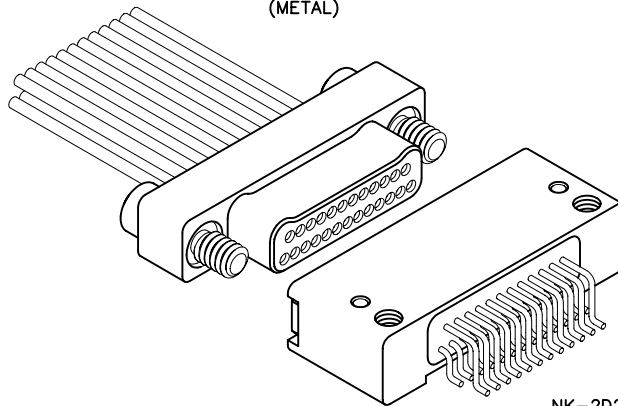
2 · ROW Cable to Board Horizontal SMT

.025"

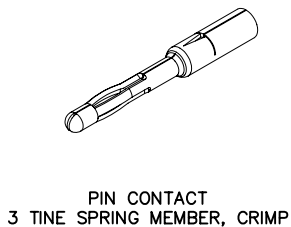
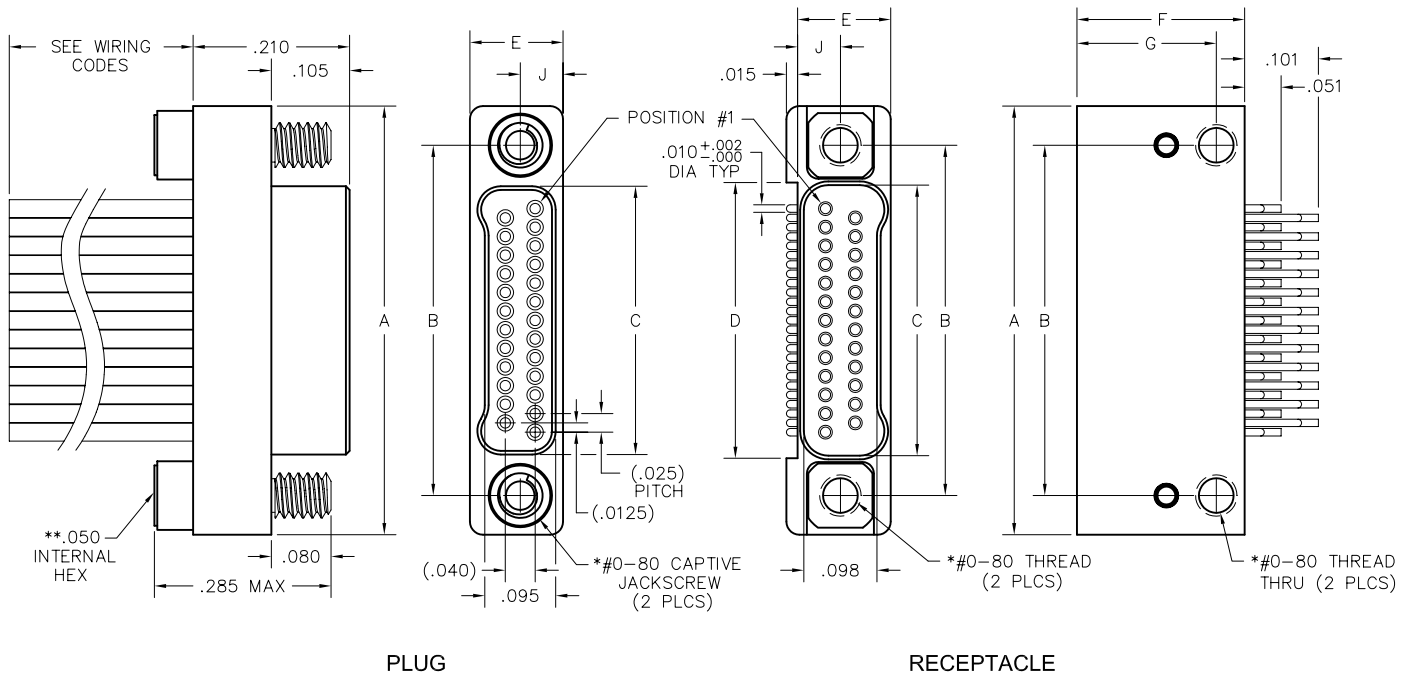
NM, NK

9 thru 85 Contacts

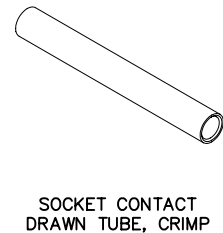
NM-212-025-161-JCAC
(METAL)



NK-2D2-025-225-TH00
(METAL)



SIZE	DIMENSIONS									
	A	B	C		D	E	F	G	J	*HARDWARE
			PLUG	RCPT						
9	.375	.270	.160	.163	.170					
15	.450	.345	.235	.238	.245					
21	.525	.420	.310	.313	.320					
25	.575	.470	.360	.363	.370					
31	.650	.545	.435	.438	.445	.125	.225	.187	.0575	#0-80 THREAD
37	.725	.620	.510	.513	.520					
51	.900	.795	.685	.688	.695					
65	1.075	.970	.860	.863	.870					
69	1.125	1.020	.910	.913	.920					
85	1.377	1.246	1.110	1.113	1.120	.150	.270	.210	.0700	#2-56 THREAD



* = #2-56 UNC THREAD ON 85 POSITION CONNECTORS.
 ** = 1/16" HEX ON 85 POSITION CONNECTORS. HEX MEASUREMENTS TAKEN ACROSS THE FLATS.

Mouser Electronics

Authorized Distributor

Click to View Pricing, Inventory, Delivery & Lifecycle Information:

AirBorn:

[NK-2D2-015-225-TH00](#) [NK-2D2-009-225-TH00](#) [NK-2D2-021-225-TH00](#) [NK-2D2-051-225-TH00](#) [NK-2D2-025-225-TH00](#) [NK-2D2-031-225-TH00](#) [NK-2D2-037-225-TH00](#) [NK-2D2-085-225-TH00](#) [NK-2D2-065-225-TH00](#) [NK-2D2-085-228-TH00](#)