

SACC-M12-SCO PLUG - Housing screw connection



1551493

<https://www.phoenixcontact.com/us/products/1551493>

Please be informed that the data shown in this PDF document is generated from our Online Catalog. Please find the complete data in the user documentation. Our General Terms of Use for Downloads are valid.



Housing screw connection, Plug, M12-SPEEDCON, Front mounting, M12 x 1, Alternative product in accordance with RoHS II without Exemption 6c (Pb <0.1%) item no.: 1237430

Your advantages

- Easy device integration, thanks to mechanical port screw connections with threaded fastening
- Flexible PCB assembly: two-piece connectors for wave and THR soldering
- SPEEDCON fast locking system reduces cabling times

Commercial Data

Item number	1551493
Packing unit	1 pc
Minimum order quantity	60 pc
Sales Key	AB23
Product Key	ABQCCA
Catalog Page	Page 258 (C-2-2013)
GTIN	4046356153645
Weight per Piece (including packing)	6.17 g
Weight per Piece (excluding packing)	5.96 g
Customs tariff number	79070000
Country of origin	DE

SACC-M12-SCO PLUG - Housing screw connection



1551493

<https://www.phoenixcontact.com/us/products/1551493>

Technical Data

Notes

Notes on operation	The electrical and mechanical data specified assume that the connector pair is correctly locked and mounted. If the connector is unlocked and if there is a danger of contamination, the connector must be sealed using a protective cap > IP54. Influences arising from litz wires, cables or PCB assembly must also be taken into consideration.
--------------------	--

Product properties

Product type	Panel mounting base
Thread type	M12

Material specifications

Material	Zinc die-cast (nickel-plated)
Seal material	EPDM
Material for screw connection	Zinc die-cast, nickel-plated

Connector

Connection 1

Head design	Plug
Head thread type	M12
Head locking type	SPEEDCON

Mechanical properties

Mechanical data

Insertion/withdrawal cycles	> 100
-----------------------------	-------

Environmental and real-life conditions

Ambient conditions

Degree of protection (when plugged in)	IP67 (correctly plugged in and locked)
Degree of protection	IP67 (correctly plugged in and locked) IP67, when in locked state
Ambient temperature (operation)	-25 °C ... 85 °C (Plug / socket) -40 °C ... 85 °C (without mechanical actuation)

Standards and regulations

M12

Standards/specifications	IEC 61076-2-101
--------------------------	-----------------

Mounting

Mounting type	Front mounting M12 x 1
---------------	------------------------

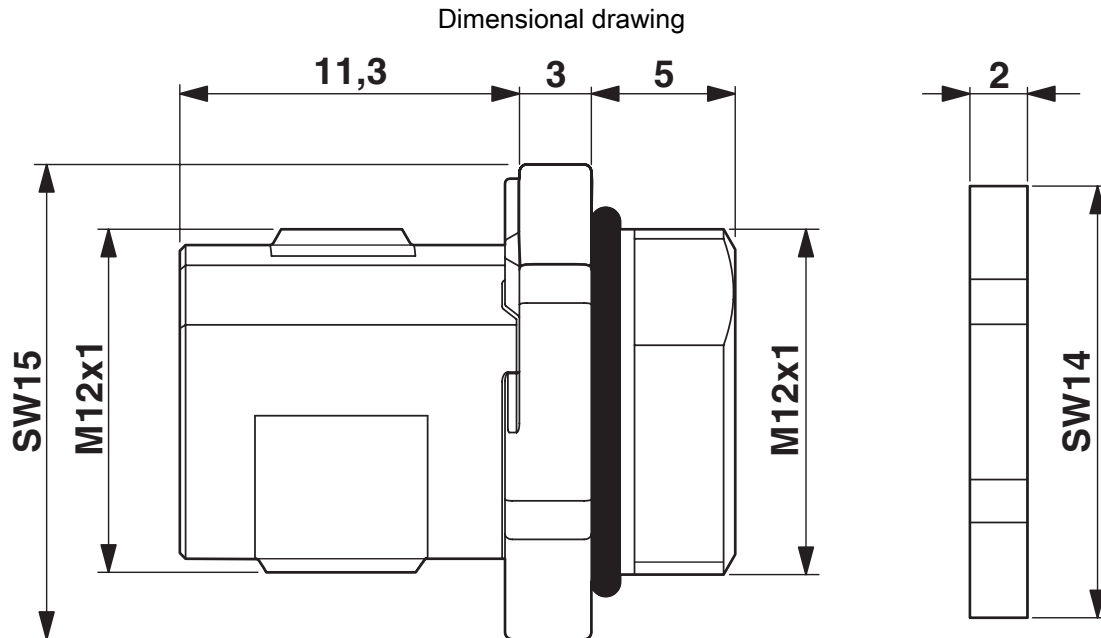
SACC-M12-SCO PLUG - Housing screw connection



1551493

<https://www.phoenixcontact.com/us/products/1551493>

Drawings



Housing cut-out for two-part M12 flush-type connectors with THR and wave soldering connection, version 1

SACC-M12-SCO PLUG - Housing screw connection



1551493

<https://www.phoenixcontact.com/us/products/1551493>

Approvals



EAC

Approval ID: B.01687

SACC-M12-SCO PLUG - Housing screw connection



1551493

<https://www.phoenixcontact.com/us/products/1551493>

Classifications

ECLASS

ECLASS-11.0	27440102
ECLASS-12.0	27440116
ECLASS-13.0	27440116

ETIM

ETIM 8.0	EC002635
----------	----------

UNSPSC

UNSPSC 21.0	39121400
-------------	----------

SACC-M12-SCO PLUG - Housing screw connection



1551493

<https://www.phoenixcontact.com/us/products/1551493>

Environmental Product Compliance

REACH SVHC	Lead 7439-92-1
China RoHS	Environmentally Friendly Use Period = 50 years
	For information on hazardous substances, refer to the manufacturer's declaration available under "Downloads"

SACC-M12-SCO PLUG - Housing screw connection



1551493

<https://www.phoenixcontact.com/us/products/1551493>

Accessories

PROT-M12 FS - Sealing cap

1560251

<https://www.phoenixcontact.com/us/products/1560251>



M12 sealing cap for unoccupied M12 plugs of the sensor/actuator cable, flush-type plugs and I/O devices in the field

PROT-M12 FS-M - Sealing cap

1430488

<https://www.phoenixcontact.com/us/products/1430488>



M12 metal sealing cap for unoccupied M12 plugs of the sensor/actuator cable, flush-type plugs and I/O devices in the field

Phoenix Contact 2023 © - all rights reserved

<https://www.phoenixcontact.com>

Phoenix Contact USA

586 Fulling Mill Road

Middletown, PA 17057, United States

(+717) 944-1300

info@phoenixcon.com