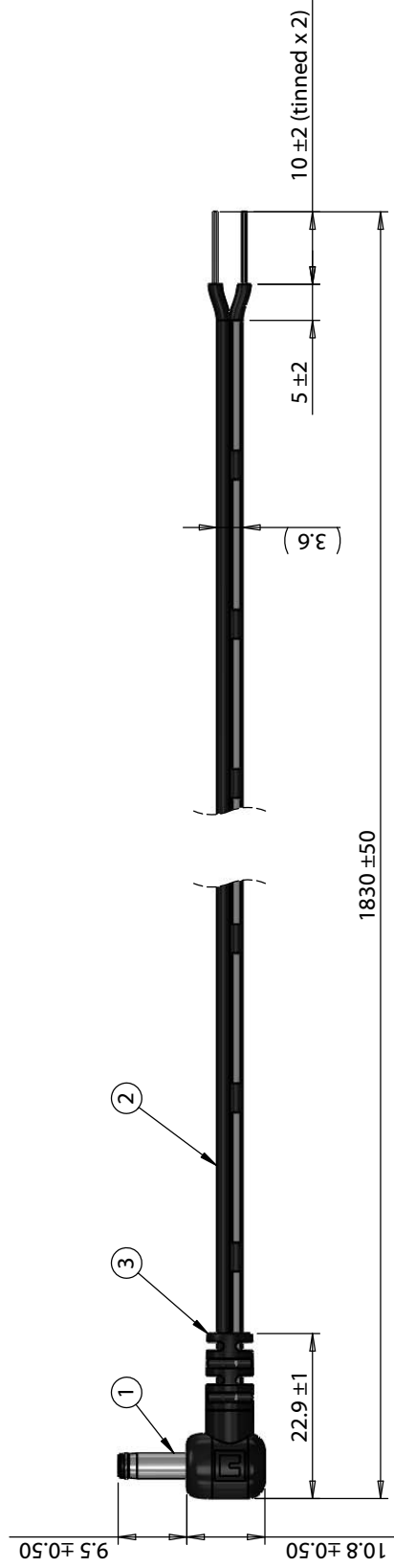
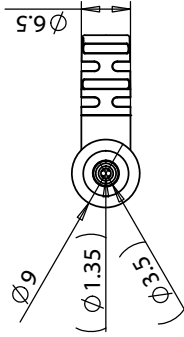


ITEM NO.	PART NUMBER	DESCRIPTION	QTY.	COMPONENT NOTES
1	50-00141	Connector, dc plug, 3.5x1.35x17.5 mm, molding style, spring contacts	1	
2	30-00003	Wire, 2C BC, 24 AWG, UL2468, 300V, 80C, 3.6 mm, VW-1, PVC	1	
3	24-00009	Overmold	1	PVC, black



Wiring Diagram	
50-00141	wire color
center	black with stripe
sleeve	black

**Notes:**  
 Cables individually tied and bundled in groups of 10  
 Functionally equivalent components may be substituted

Revision:	Date:	Description:	Prepared:	Notes:
A	06/28/2012	Initial release	<b>GL</b> Digitally signed by GL Date: 2012.06.28 15:04:54 -0700	RoHS compliant
A1	01/08/2014	Corrected strain relief dimensions	<b>LA</b> Digitally signed by LA Date: 2014.01.08 17:27:07 -0700	Function test: no open, no short circuit, no intermittent
A2	08/08/2018	Added test data sheet 2		Description: Cable, 1830 mm, 3.5x1.35x9.5 mm 90° 50-00141 dc plug to stripped tinned, 24 AWG, 30-00003 wire
			Dimensions are in millimeters. Tolerances: X: ± 0.5 mm XX: ± 0.3 mm XXX: ± 0.05 mm	Size: Part number: A 10-01072
				Scale: 1:2

# TENSILITY

tel 1.541.323.3228 800 877.670.7118  
 fax 1.541.323.4202 web tensility.com

Sheet 1 of 2

