

# Industrial accelerometer

## 793-10

### SPECIFICATIONS

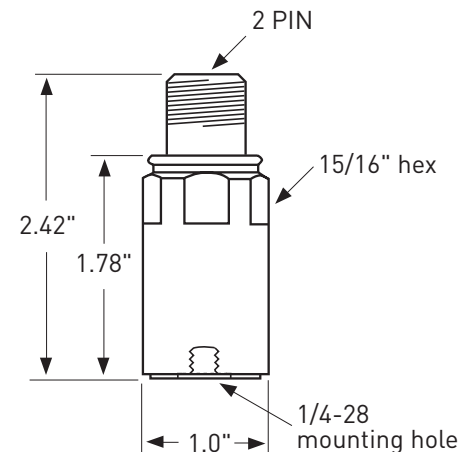
<b>Sensitivity, <math>\pm 5\%</math>, 25°C</b>		10 mV/g
<b>Acceleration range</b>		500 g peak
<b>Amplitude nonlinearity</b>		1%
<b>Frequency response:</b>	$\pm 5\%$	3 - 5,000 Hz
	$\pm 10\%$	2 - 7,000 Hz
	$\pm 3$ dB	1 - 15,000 Hz
<b>Resonance frequency, mounted, nominal</b>		25 kHz
<b>Transverse sensitivity, max</b>		5% of axial
<b>Temperature response:</b>	-50°C	-10%
	+120°C	+5%
<b>Power requirement:</b>		
Voltage source		18 - 30 VDC
Current regulating diode		2 - 10 mA
<b>Electrical noise, equiv. g, nominal:</b>		
Broadband	2.5 Hz to 25 kHz	4,500 $\mu$ g
Spectral	10 Hz	50 $\mu$ g/ $\sqrt{\text{Hz}}$
	100 Hz	40 $\mu$ g/ $\sqrt{\text{Hz}}$
	1,000 Hz	20 $\mu$ g/ $\sqrt{\text{Hz}}$
<b>Output impedance, max</b>		100 $\Omega$
<b>Bias output voltage, nominal</b>		12 VDC
<b>Grounding</b>		case isolated, internally shielded
<b>Temperature range</b>		-50° to +120°C
<b>Vibration limit</b>		500 g peak
<b>Shock limit</b>		5,000 g peak
<b>Electromagnetic sensitivity, equiv. g</b>		15 $\mu$ g/gauss
<b>Humidity limit</b>		100% relative
<b>Base strain sensitivity</b>		0.001 g/ $\mu$ strain
<b>Weight</b>		110 grams
<b>Case material</b>		stainless steel
<b>Mounting</b>		1/4-28 tapped hole
<b>Output connector</b>		2 pin, MIL-C-5015 style
<b>Mating connector</b>		R6
<b>Recommended cabling</b>		J10 / J9T2A

Accessories supplied: SF6 mounting stud; calibration data; CCD card



### Key features

- High amplitude range
- Optional intrinsic safety certification (model 793-10-35)
- Manufactured in ISO 9001 facility



Connections	
Function	Connector pin
power/signal	A
common	B



Note: Due to continuous process improvement, specifications are subject to change without notice. This document is cleared for public release.

# Mouser Electronics

Authorized Distributor

Click to View Pricing, Inventory, Delivery & Lifecycle Information:

[Amphenol:](#)

[793-10](#) [793-10-35](#)