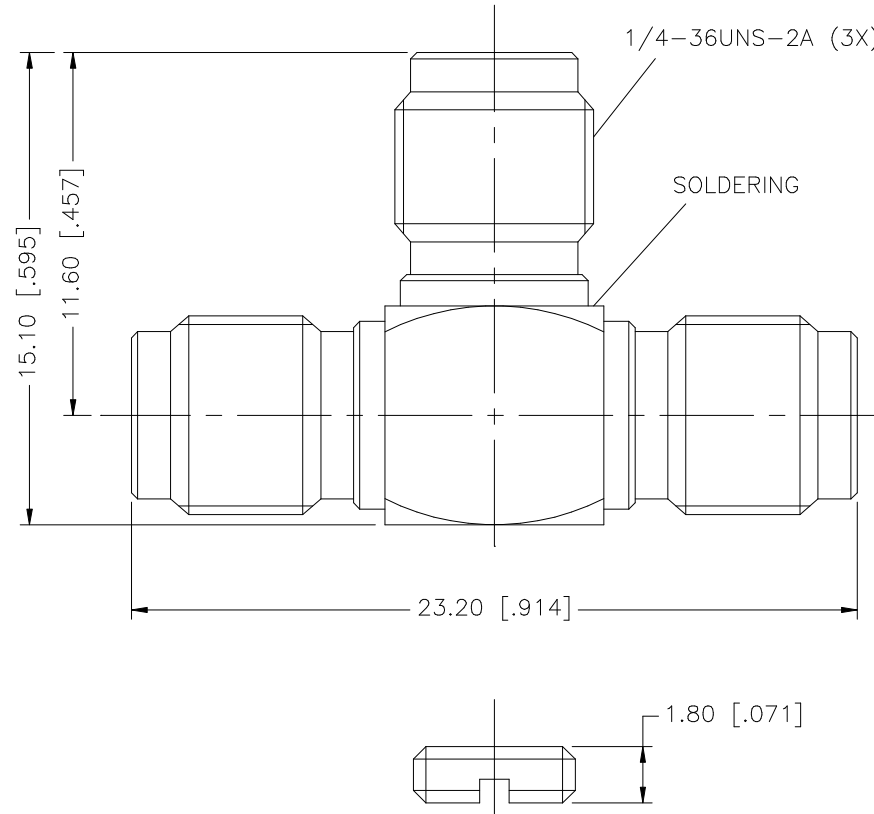


REV.	DATE	DESCRIPTION
NC	12/08/97	INITIAL RELEASE
A	09/24/06	UPDATE DRAWING FORMAT



8					<small>UNLESS OTHERWISE SPECIFIED DIMENSIONS ARE IN MILLIMETERS. DIMENSIONS IN [] ARE IN INCHES AND FOR CUSTOMER REFERENCE ONLY.</small> <small>UNLESS OTHERWISE SPECIFIED TOLERANCES FOR MILLIMETERS ARE:</small> 0.5 - 8mm ± 0.20mm 8 - 30mm ± 0.40mm 30 - 120mm ± 0.50mm <small>UNLESS OTHERWISE SPECIFIED TOLERANCES FOR INCHES ARE:</small> .020 - .315 = ± 0.007" .315 - 1.180 = ± 0.015" 1.180 - 4.724 = ± 0.020" DO NOT SCALE DRAWING	APPROVALS	DATE	<h1 style="color: blue;">Amphenol Connex</h1>						
7				DRAWN		G.R.S.	09/24/06							
6				CHECKED				PART DESCRIPTION SMA "T" ADAPTER JACK-JACK-JACK -						
5				ISSUED										
4				SHEET	1 OF 1		PART NO. 132216							
3	CONTACT PIN	BER. COPPER	GOLD	3	CAD FILE	C:/132/132216.DWG				DWG. NO.	132216.DWG	REV.	A	SIZE
2	INSULATOR	TEFLON	NATURAL	1										
1	BODY	BRASS	GOLD	1										

Mouser Electronics

Authorized Distributor

Click to View Pricing, Inventory, Delivery & Lifecycle Information:

[Amphenol:](#)

[132216](#)