

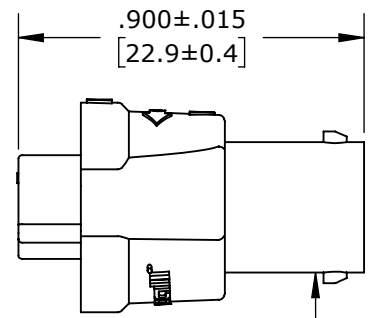
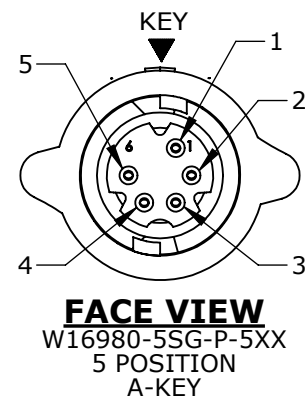
MFG. ENG. APPROVED BY: DATE: QA APPROVED BY: DATE:

ASS'Y P/N	CONTACT QTY.	CABLE O.D. RANGE
W16980-5SG-P-518	5	0.18 - 0.20 [4.6 - 5.1]
W16980-5SG-P-521	5	0.21 - 0.22 [5.3 - 5.6]
W16980-5SG-P-522	5	0.22 - 0.23 [5.6 - 5.8]
W16980-6SG-P-518	6	0.18 - 0.20 [4.6 - 5.1]
W16980-6SG-P-521	6	0.21 - 0.22 [5.3 - 5.6]
W16980-6SG-P-522	6	0.22 - 0.23 [5.6 - 5.8]
W16980-7SG-P-518	7	0.18 - 0.20 [4.6 - 5.1]
W16980-7SG-P-521	7	0.21 - 0.22 [5.3 - 5.6]
W16980-7SG-P-522	7	0.22 - 0.23 [5.6 - 5.8]
W16980-XSG-P-5XX		

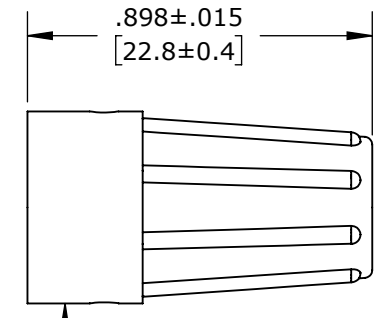
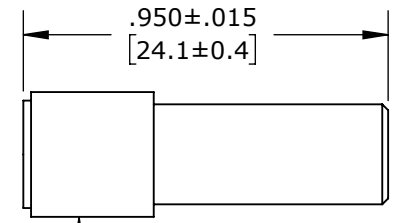
NOTES:

1. ALL PARTS ARE BULK PACKED.
2. REFER TO DRAWING HPMCSTD FOR CONTACT PATTERNS.
3. ALL DIMENSIONS ARE REFERENCE ONLY IN INCHES [mm], WITHIN ±0.015 UNLESS OTHERWISE NOTED.

CUSTOMER PRINT



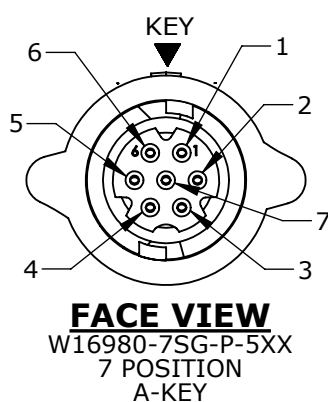
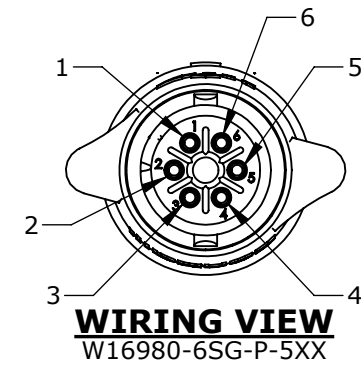
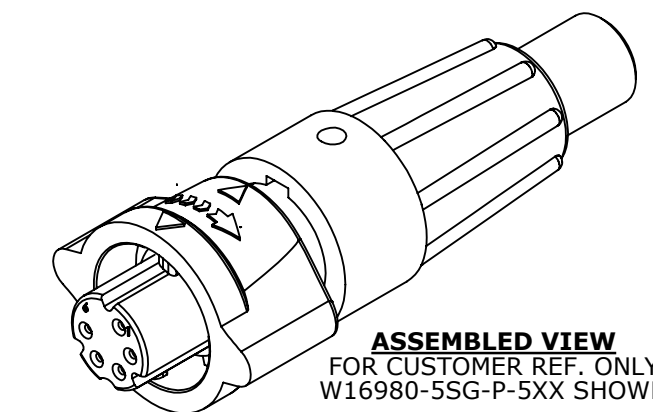
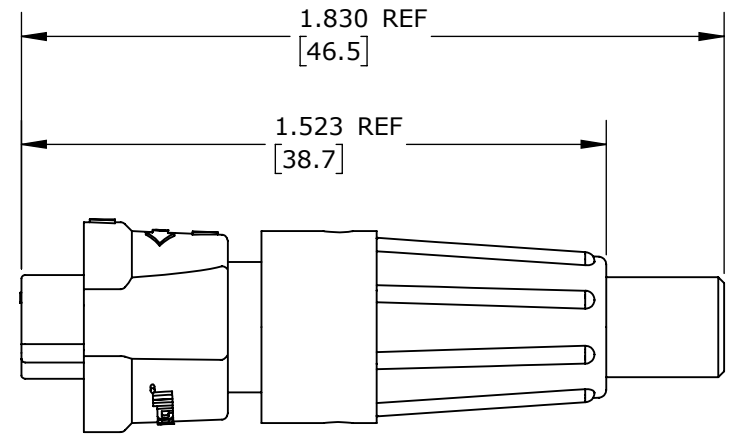
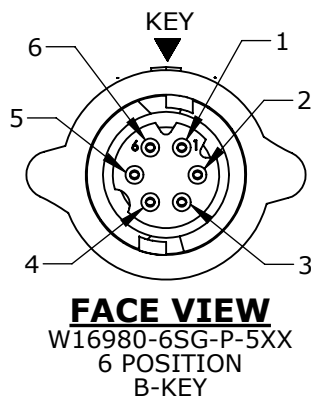
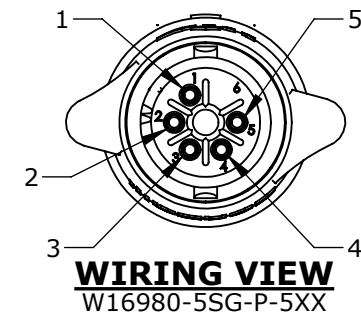
(5-7) # 26 SOCKET CONTACTS
CRIMP TAIL
MAT'L: GOLD PLATED, COPPER ALLOY



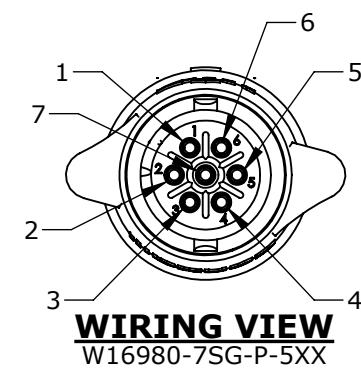
CABLE-END ASSEMBLY KIT
MAT'L: HOUSING -THERMOPLASTIC, BLACK
O-RING - SILICONE, RED
COUPLING RING - THERMOPLASTIC, BLACK
SPRING (INTERNAL) - STAINLESS STEEL

BACKSHELL
MAT'L: THERMOPLASTIC, BLACK

OF CONTACTS
GROMMET SIZE = CABLE O.D. RANGE:
518 = 0.18 - 0.20 [4.6 - 5.1]
521 = 0.21 - 0.22 [5.3 - 5.6]
522 = 0.22 - 0.23 [5.6 - 5.8]



ASSEMBLED VIEW
FOR CUSTOMER REF. ONLY



PART NUMBER: W16980-XSG-P-5XX

CUSTOMER APPROVAL
THIS DOCUMENT CONTAINS CONFIDENTIAL INFORMATION PROPRIETARY TO CONXALL CORPORATION. ANY REPRODUCTION, DISCLOSURE, OR USE OF THIS DOCUMENT /INFORMATION IS EXPRESSLY PROHIBITED UNLESS AUTHORIZED IN WRITING BY CONXALL CORPORATION.
APPROVED BY: _____
DATE: _____

RoHS COMPLIANT

0A	JGK	9/09/19	DRAWING CREATED FOR PDR #18004.	
REV.	INIT.	DATE	DESCRIPTION	
	JGK	9/09/19	ALL INFORMATION ILLUSTRATED IS THE PROPERTY OF "CONXALL CORPORATION". UNAUTHORIZED DUPLICATION OR DISTRIBUTION OF THIS DOCUMENT IS PROHIBITED.	
APPROVED BY:			TITLE:	
SCALE: NTS			CABLE-END ASSEMBLY	
SIZE: B			5-7 #26 SOCKET CONTACTS, CRIMP	
SHEET: 1 OF 1			INSTA-CLICK, MICRO-CON-X	
FILE: W16980-XSG-P-5XX			STANDARD PRODUCT	
DIRECTORY: SLW			CUSTOMER: W16980-XSG-P-5XX	
PART NUMBER: W16980-XSG-P-5XX			REV 0A	

PRELIMINARY

DIMENSIONS IS BRACKETS [] ARE METRIC

Mouser Electronics

Authorized Distributor

Click to View Pricing, Inventory, Delivery & Lifecycle Information:

Switchcraft:

[W16980-5SG-P-522](#) [W16980-6SG-P-518](#) [W16980-5SG-P-518](#) [W16980-6SG-P-521](#) [W16980-7SG-P-522](#) [W16980-6SG-P-522](#) [W16980-7SG-P-521](#)