

4

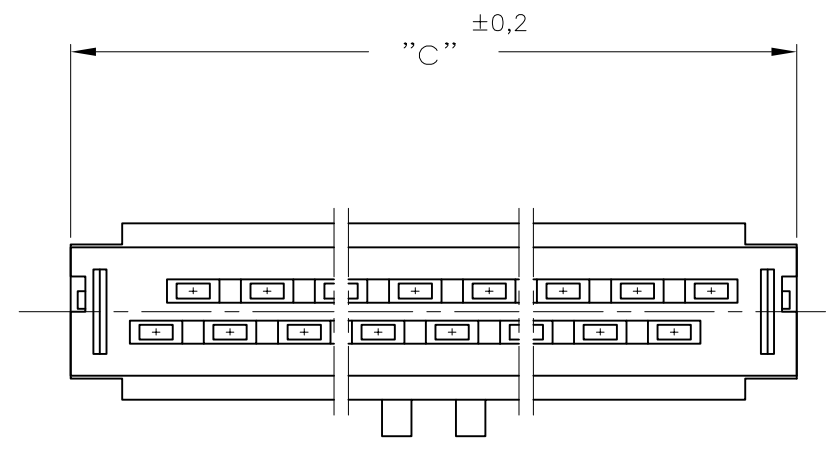
3

2

1

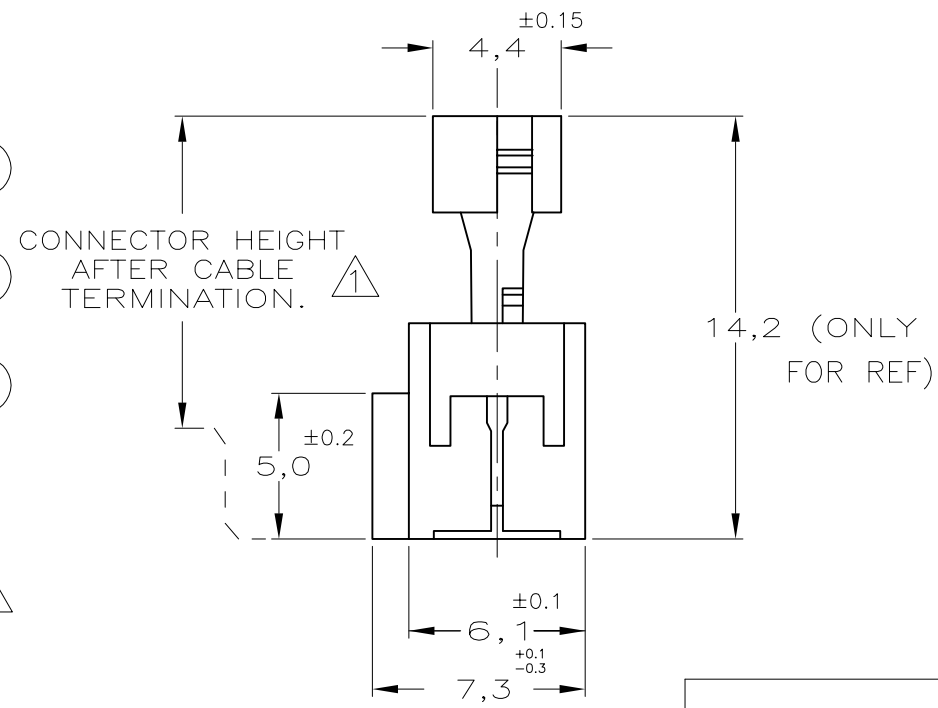
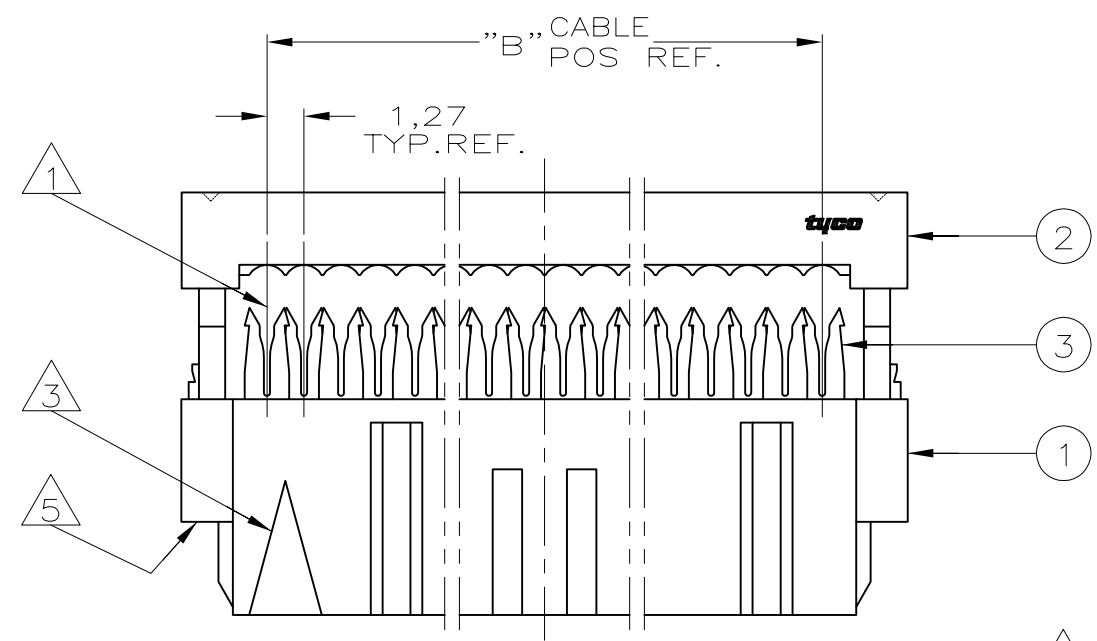
THIS DRAWING IS UNPUBLISHED. RELEASED FOR PUBLICATION
 © COPYRIGHT - By - ALL RIGHTS RESERVED.

LOC	DIST	REVISIONS					
		P	LTR	DESCRIPTION	DATE	DWN	APVD
J	-		E	ADDED PACKING INFORMATION	27JUN2012	Y.U	T.K

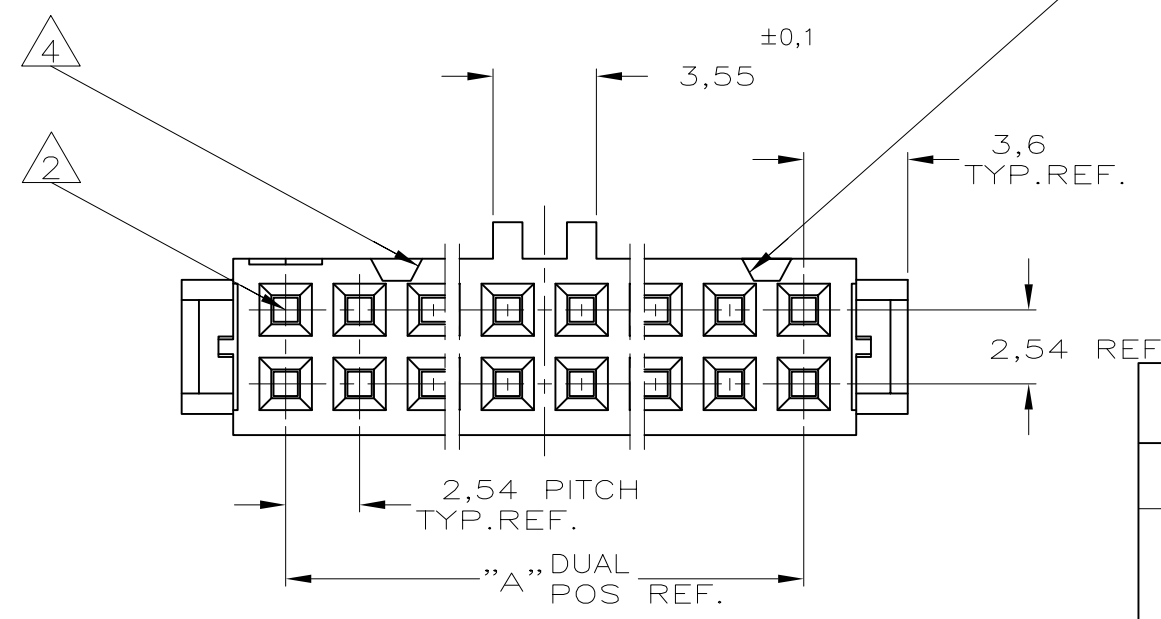


NOTES:

- ① CONNECTOR IS DESIGNED FOR FLAT RIBBON CABLE ON 1,27 CENTERS . FOR CABLE REQUIREMENTS SEE AMP APPLICATION SPECIFICATION 114-19022.
- ② THESE RECEPTACLE CONNECTORS MATE WITH 0,64^{±0,05} mm SQUARE OR ROUND POSTS ON 2,54mm GRID.
- ③ MARK INDICATING FIRST CABLE POSITION REFERRING TO CONTACT POSITION.
- ④ THERE IS NO POLARIZATION-SLOT AT THIS END IN 6, 10 AND 14 POS CONNECTORS.
- ⑤ THESE CONNECTORS CAN BE USED IN CONJUNCTION WITH STRAIN-RELIEF COVERS OF PARTNR: 182762.
- ⑥ THERE IS NO POLARIZATION-SLOT AT THIS END IN 6 POS CONNECTORS.
- ⑦ PRODUCT SPECIFICATION 108-19033.
- ⑧ OBSOLETE PARTS: OBSOLETE CIS STREAMLINING PER D.RENAUD/D.SINISI


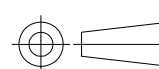


DIM."C"	"B" CABLE POS.	"A" DUAL POS.	PARTNUMBER	PART REV.
85,9	64	32	6-215911-4	D
80,8	60	30	6-215911-0	D
68,1	50	25	5-215911-0	D
60,5	44	22	4-215911-4	D
55,4	40	20	4-215911-0	D
47,8	34	17	3-215911-4	D
42,7	30	15	3-215911-0	D
37,6	26	13	2-215911-6	D
30,0	20	10	2-215911-0	D
24,9	16	8	1-215911-6	D
22,4	14	7	1-215911-4	D
17,3	10	5	1-215911-0	D
OBSOLETE	14,8	8	4-0-215911-8	C
OBSOLETE	12,2	6	3-0-215911-6	D
OBSOLETE	9,7	4	2-0-215911-4	C



COMPONENT NAME	MATERIAL	PLATING / COLOUR
③ RECEPTACLE CONTACT	PHOSPHORBRONZE Cu Sn6	AT CONTACT-PLACE: 0,2µmGOLD AT WIRING END: 2,5µmTIN ENTIRE UNDERCOATING: 1,27µmNICKEL
② COVER	THERMOPLASTIC POLYESTER UL 94 -V0	GREY RAL 7032 (ONLY FOR REF.)
① HOUSING		

THIS DRAWING IS A CONTROLLED DOCUMENT.

DIMENSIONS: mm	TOLERANCES UNLESS OTHERWISE SPECIFIED:	DWN W.R.VERBEET 04FEB1988	 TE Connectivity
	0 PLC ± -	CHK R.VERSTIJNEN 05FEB1988	
	1 PLC ± -	APVD L.V.SOEST 05FEB1988	
MATERIAL SEE TABLE	FINISH SEE TABLE	NAME AMP-LATCH_MIL-TYPE RECEPTACLE_CONNECTOR ASSEMBLY_(SYMMETRIC_COVER)	

PRODUCT SPEC	SIZE	CAGE CODE	DRAWING NO	RESTRICTED TO
APPLICATION SPEC	A3	00779	C-215911	-
WEIGHT	CUSTOMER DRAWING		SCALE	SHEET
			4:1	1 OF 2
				REV E

4

3

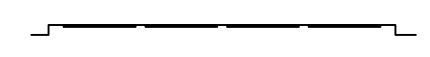
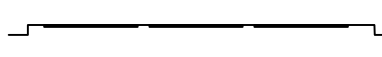
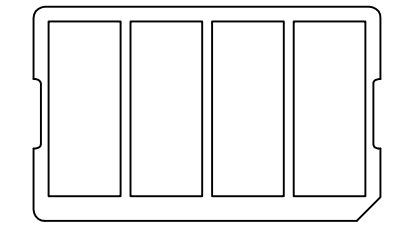
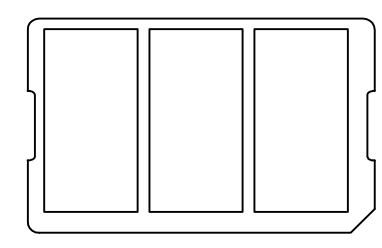
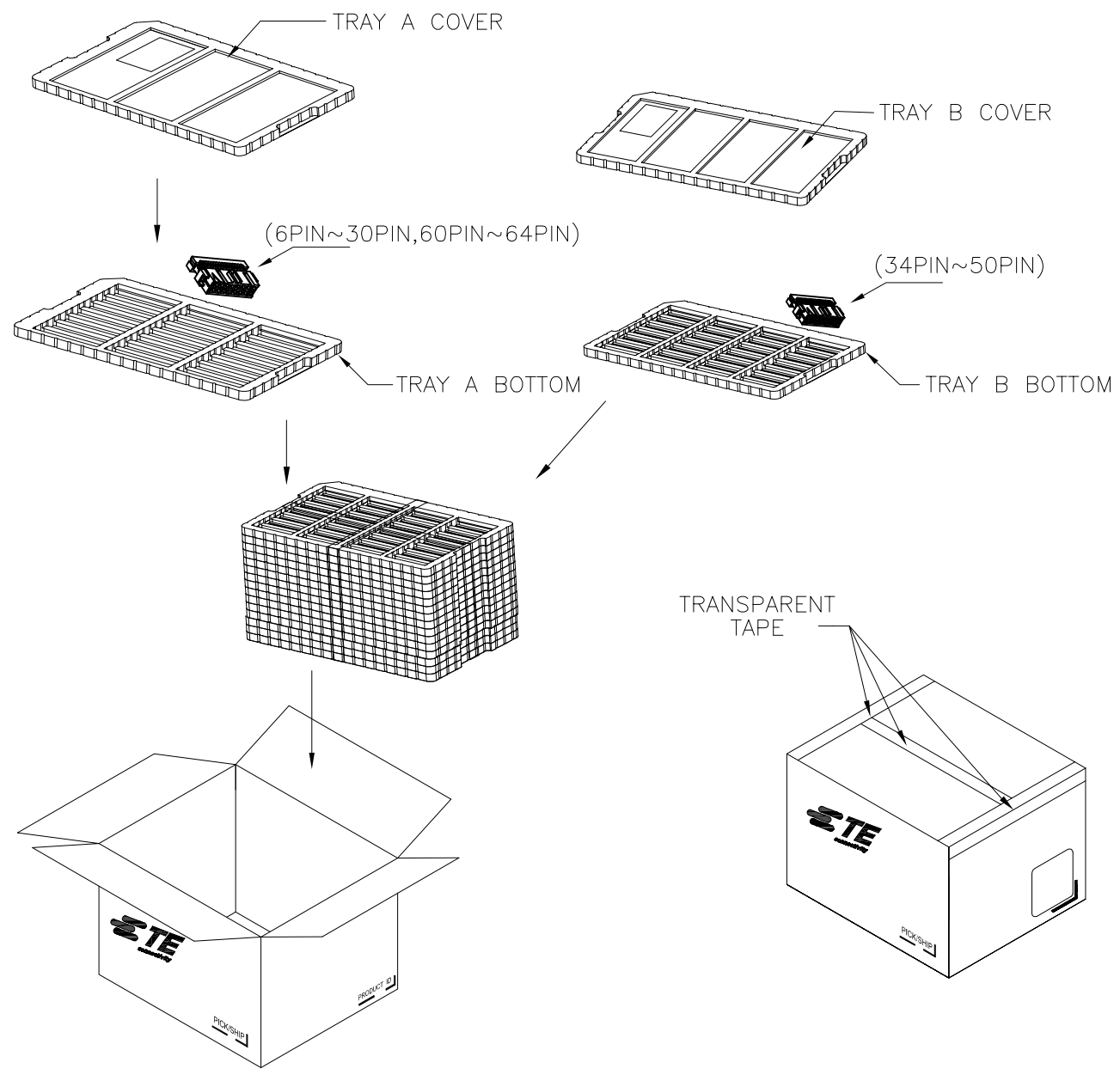
2

1

THIS DRAWING IS UNPUBLISHED. RELEASED FOR PUBLICATION
 © COPYRIGHT - By - ALL RIGHTS RESERVED.

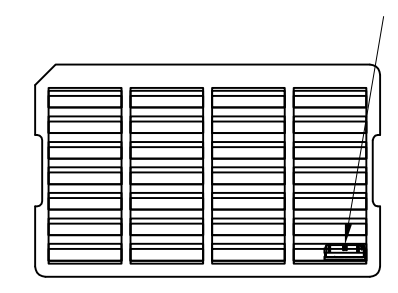
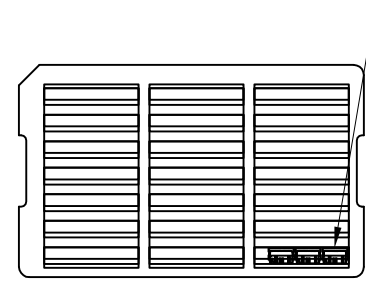
LOC	DIST	REVISIONS					
		P	LTR	DESCRIPTION	DATE	DWN	APVD
J	-	-	-	SEE SHEET 1	-	-	-

PACKAGING SPECIFICATION



TRAY A COVER

TRAY B COVER



TRAY A BOTTOM

TRAY B BOTTOM

THIS DRAWING IS A CONTROLLED DOCUMENT.		DWN W.R.VERBEET.	04FEB1988	TE Connectivity	
DIMENSIONS: mm		CHK R.VERSTIJNEN	05FEB1988		
TOLERANCES UNLESS OTHERWISE SPECIFIED:		APVD L.V.SOEST	05FEB1988	NAME AMP-LATCH_MIL-TYPE RECEPTACLE_CONNECTOR ASSEMBLY_(SYMMETRIC_COVER)	
0 PLC ± - 1 PLC ± - 2 PLC ± - 3 PLC ± - 4 PLC ± - ANGLES ± -		PRODUCT SPEC	-	SIZE	RESTRICTED TO
MATERIAL	FINISH	APPLICATION SPEC	-	A3	-
-	-	WEIGHT	-	CAGE CODE	-
CUSTOMER DRAWING			DRAWING NO	00779	-
			SCALE	-	-
			SHEET	2 OF 2	REV E

Mouser Electronics

Authorized Distributor

Click to View Pricing, Inventory, Delivery & Lifecycle Information:

[TE Connectivity:](#)

[2-215911-0](#)