

# Customer Information Sheet

DRAWING No.- M80-101XX98S

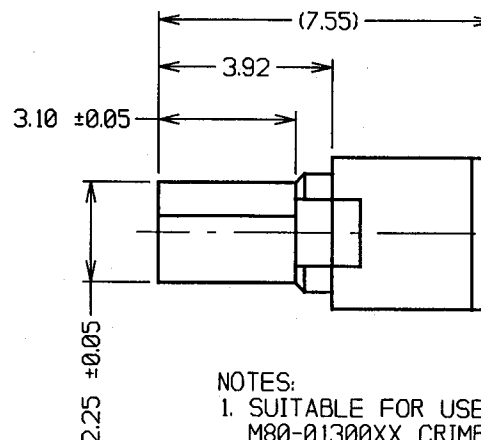
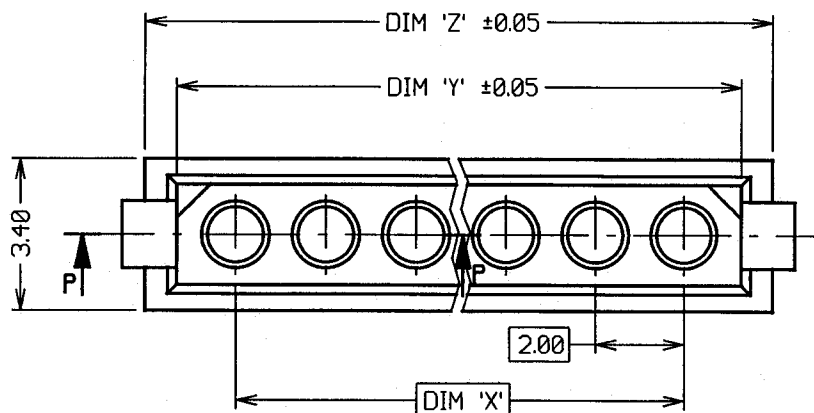
IF IN DOUBT - ASK

©

NOT TO SCALE

THIRD ANGLE PROJECTION

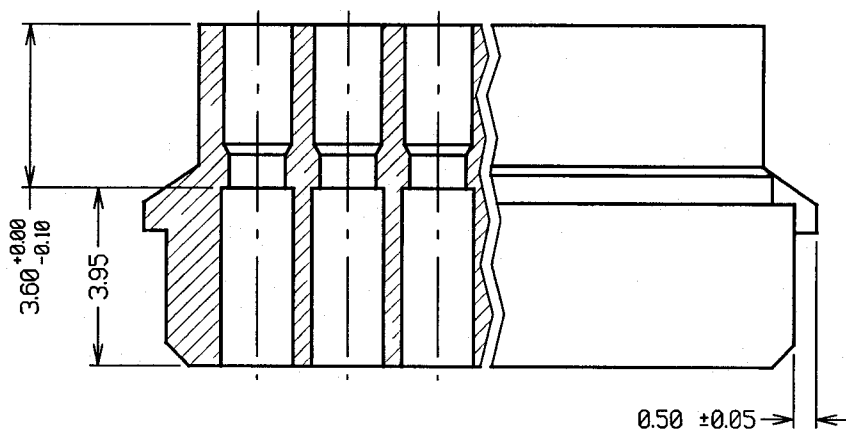
ALL DIMENSIONS IN mm



ORDER CODE:  
**M80-101XX98S**  
 No. OF WAYS —  
 02-07, 17

**NOTES:**

- SUITABLE FOR USE WITH M80-01100XX AND M80-01300XX CRIMP SOCKETS.



PART SECTION P-P

**SPECIFICATIONS:**

MATERIAL = GLASS-FILLED POLYESTER UL94V-0 (BLACK)

ALL OTHER APPLICABLE SPECIFICATIONS ARE SHOWN IN COMPONENT SPECIFICATION C001XX (LATEST ISSUE), AND APPLY WHEN CRIMP SOCKETS ARE ASSEMBLED.

PART No.	DIM 'X'	DIM 'Y'	DIM 'Z'
M80-1010298S	2.00	4.60	6.00
M80-1010398S	4.00	6.60	8.00
M80-1010498S	6.00	8.60	10.00
M80-1010598S	8.00	10.60	12.00
M80-1010698S	10.00	12.60	14.00
M80-1010798S	12.00	14.60	16.00
M80-1011798S	32.00	34.60	36.00

1	25.02.99	----
ISS.	DATE	C/N
APPROVED:	<i>[Signature]</i>	
CHECKED:	<i>[Signature]</i>	
DRAWN:	W. J. BOURNE	
CUSTOMER REF.		
ASSEMBLY DRG:		

## HARWIN

HARWIN INC  
 U.S.A.  
 TEL: (812) 285 0055  
 FAX: (812) 285 0056

HARWIN PLC  
 U.K.  
 TEL: 01705 370451  
 FAX: 01705 314590

HARWIN PTE  
 SINGAPORE  
 TEL: 65 7794909  
 FAX: 65 7793868

**TOLERANCES**  
 X. - ±1mm  
 X.X - ±0.25mm  
 X.XX - ±0.10mm  
 X.XXX - ±0.01mm  
 ANGLES - ±1°  
 UNLESS STATED

**MATERIAL:**  
 M80-101XX98

**FINISH:**  
**S/AREA:** mm<sup>2</sup>

**TITLE:**  
 DATAMATE SIL CRIMP MOULDING

**DRAWING NUMBER:**  
**M80-101XX98S**

SHT  
 1 OF 1