

RoHS

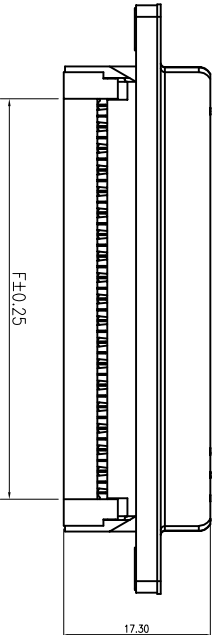
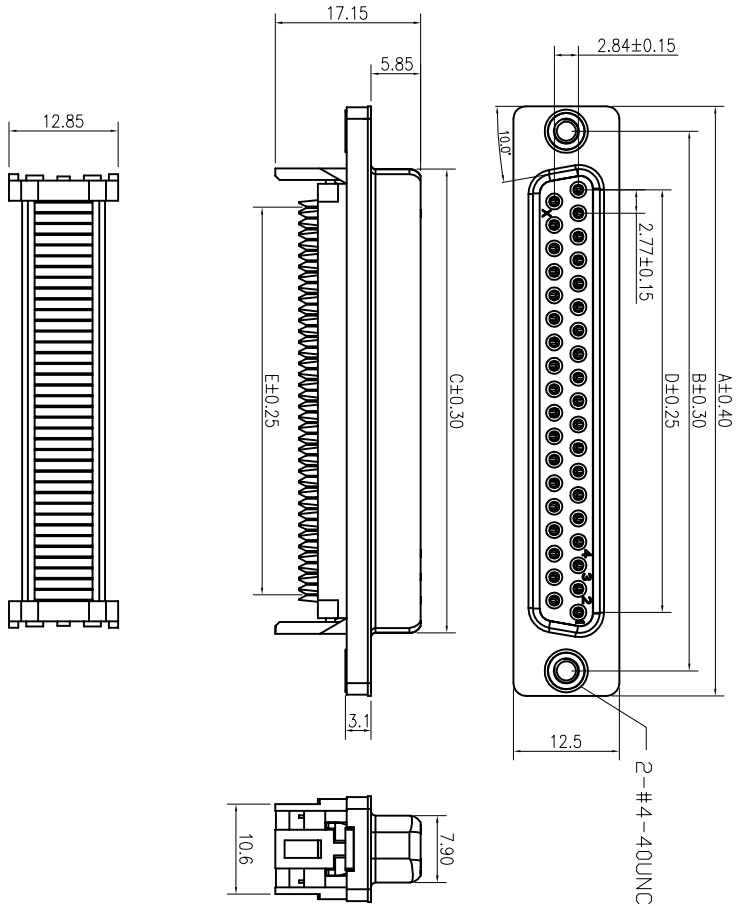
REV.	DESCRIPTION	DATE
A		2016.04.12
B	Add Dim. 'F'	2019.03.18
C	Dim. 'F' Tolerance Change	2019.08.12

**MATERIAL & FINISH**

Insulator: PBT Glass Fiber (UL94V-0)  
 Contact Material: Terminal Brass.  
 Shell Spcc.  
 Contact Plating : Terminal Gold-Plated Over Nickel.  
 Shell Nickel OR TIN.

**SPECIFICATIONS**

Current Rating : 1A AC, DC  
 Voltage Rating : 250V AC, DC  
 Temperature Range: -40 ° C To +105 ° C  
 Contact Resistance : 20MΩ Max  
 Insulation Resistance : 1000MΩ Min  
 Withstanding Voltage : 500V AC/Min



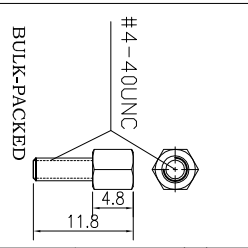
NUMBER OF POSITIONS	DIMENSION					
	A	B	C	D	E	F
9	30.80	25.00	16.35	11.08	10.16	11.68
15	39.14	33.30	24.75	19.39	17.78	19.30
25	53.05	47.04	38.35	33.24	30.48	32.00
37	69.32	63.50	54.75	49.86	45.72	47.24

**CnC Tech, LLC**

Part NO.

410F0-XX-1-00

UNLESS TOLERANCE		DRAW BY	SCALE	SHEET	UNIT	DRW. NO.
GENERAL	ANGLE	DESIGN BY	1:1	1/1	MM	
X ± 0.38	X' ± 3.0°	CHECK BY				
.X ± 0.30	.X' ± 2.0°	APPROVE BY				
.XX ± 0.25	.XX' ± 1.0°					
.XXX ± 0.10	.XXX' ± 0.5°					



BULK-PACKED