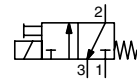




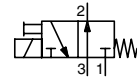
SOLENOID VALVES

direct operated
pad mounting body
M5 subbases

NC



NO



3/2
Series
109

FEATURES

- Compact size and light weight simplify assembly on single or joinable subbases
- AC/DC interchangeability of the solenoid without disassembly of the valve
- Flexible installation on joinable subbases
- Manual operator allows an easy installation
- The solenoid valves satisfy all relevant EC directives

GENERAL

Differential pressure See «SPECIFICATIONS» [1 bar = 100 kPa]
Maximum viscosity 40 cSt (mm²/s)
Response time 5 - 10 ms

| fluids (*) | temperature range (TS) | seal materials (*) |
|----------------------------|------------------------|--|
| air, inert gas, water, oil | -10°C to +80°C | NBR (nitrile) FPM (fluoroelastomer) |

MATERIALS IN CONTACT WITH FLUID

(*) Ensure that the compatibility of the fluids in contact with the materials is verified

Body and subbases PPS
Core tube Brass
Internal parts, springs Stainless steel
Seals NBR or FPM
Subbase seals FPM
Shading coil Copper

ELECTRICAL CHARACTERISTICS

Coil insulation class F
Connector Spade plug (cable Ø 6-8 mm)
Connector specification DIN 43650, 11 mm, industry standard B (11 mm)
Electrical safety IEC 335
Electrical enclosure protection Moulded IP65 (EN 60529)
Standard voltages DC (=) : 24V - 48V
 (Other voltages and 60 Hz on request) AC (~) : 24V - 48V - 115V - 230V / 50 Hz

| power ratings | | | | operator ambient temperature range (TS) (C°) | replacement coil | | type ⁽¹⁾ |
|---------------|--------------|---------------|---------|---|------------------|------------|---------------------|
| inrush ~ | holding ~ | hot/cold = | | | ~ | = | |
| (VA) | (VA) | (W) | (W) | | 230 V/50 Hz | 24 V DC | |
| 6 | 3,5 | 2,5 | 2,5 / 3 | -10 to +60 | 400127-097 | 400904-142 | 01 |

⁽¹⁾ Refer to the dimensional drawings on the following page.

SPECIFICATIONS

| pipe size | orifice size | | flow coefficient Kv | | | | operating pressure differential (bar) | | | | power coil (W) | | catalogue number with maintained manual operator | | |
|-----------------------------|--------------|-------------|---------------------|---------|---------------------|---------|---------------------------------------|---------|--------------|----|----------------|-----|--|----------|----------|
| | 1→2 (mm) | 2→3 (mm) | 1→2 | | 2→3 | | max. (PS) | | | | ~ | = | NBR | FPM | |
| | | | (m ³ /h) | (l/min) | (m ³ /h) | (l/min) | min. | air (*) | water/oil(*) | ~ | | | | | = |
| NC - Normally closed | | | | | | | | | | | | | | | |
| pad mounting | 1 | 1,2 | 0,03 | 0,5 | 0,06 | 1 | 0 | 15 | 15 | 15 | 15 | 2,5 | 3 | 10900001 | 10900004 |
| | 1,5 | 1,2 | 0,06 | 1 | 0,06 | 1 | 0 | 8 | 8 | 8 | 8 | 2,5 | 3 | 10900040 | 10900043 |
| | 2,5 | 1,2 | 0,10 | 1,8 | 0,06 | 1 | 0 | 3 | 3 | 3 | 3 | 2,5 | 3 | 10900003 | 10900006 |
| NO - Normally open | | | | | | | | | | | | | | | |
| ⁽²⁾ | 1,5 | 1,2 | 0,03 | 0,5 | 0,04 | 0,6 | 0 | 8 | 4 | 8 | 4 | 2,5 | 3 | 10900017 | 10900029 |

SUBBASES ⁽³⁾

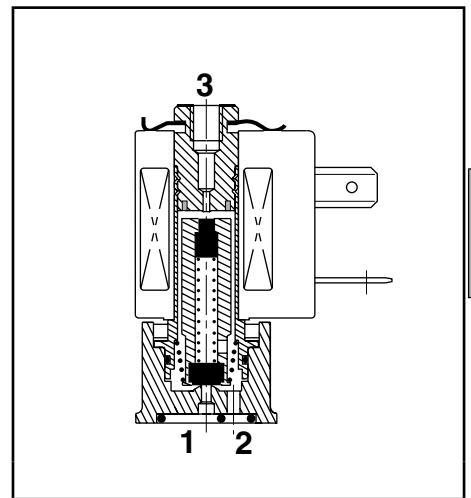
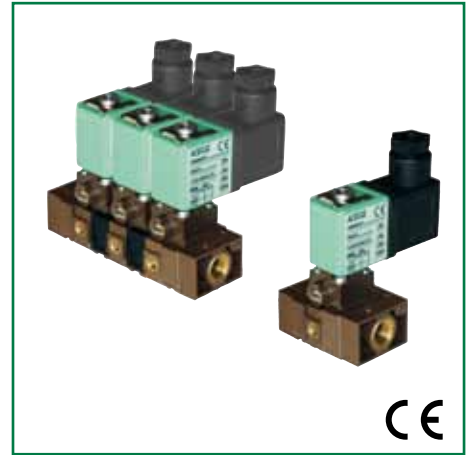
| pipe size | mounting type | designation | composition | catalogue number |
|-------------------------------|--|---|-------------|-------------------------|
| 6/6 polyamide subbases | | | | |
| M5 subbases G 1/8 ends | Individual mounting | Single subbase + two ends. Pressure to right, G 1/8 | | 36100009 |
| | Assembly of 2 to 10 joinable subbases ⁽⁴⁾ | 1 joinable subbase | | 36100004 |
| | | Set of 2 joinable subbases with ends. Pressure to right, G 1/8 | | 36100005 |
| | | Set of 2 joinable subbases with ends. Pressure to right and/or left, G 1/8 | | 36100032 ⁽⁵⁾ |

⁽²⁾ In NO function: pressure supply connected to the top of the solenoid valve Ø M5

⁽³⁾ These subbases can be mounted on symmetrical rail to EN 50022, AFNOR NF C 63015, using 2 clips (clips: catalogue number 33400036, pack of 10).

⁽⁴⁾ Maximum number of solenoid valves which can operate simultaneously on joinable subbases: Ø 1 mm: 10, Ø 1,5 mm: 5, Ø 2,5 mm: 3.

⁽⁵⁾ Used for two different pressures, delivered with 1 plug to be put in the right place.



E

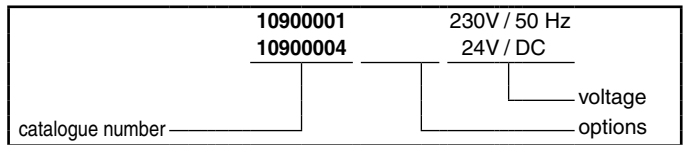
OPTIONS

- Explosionproof enclosures for use in zones 1/21-2/22, categories 2-3 to ATEX Directive 94/9/EC (see "Explosionproof solenoids" section)
- Compliance with "UL", "CSA" standards are available
- Oxygen service, used option catalogue number: **970517**
- Exhaust port regulator M5 adaptable on port 3, catalogue number: **34600380**
- Plug with visual indication and peak voltage suppression or with cable length of 2 m (see Solenoids, Coils & Accessories section)

INSTALLATION

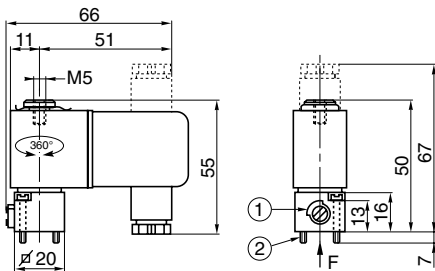
- The solenoid valves can be mounted in any position without affecting operation
- Mounting on single or joinable subbases
- ATEX 94/9/EC versions can be installed on single subbases (all versions) or joinable zamak subbases (options "SCDU" and "PV")
- Pipe connections 1/8 have standard thread according to ISO 228/1
- Installation/maintenance instructions are included with each valve

ORDERING EXAMPLES:

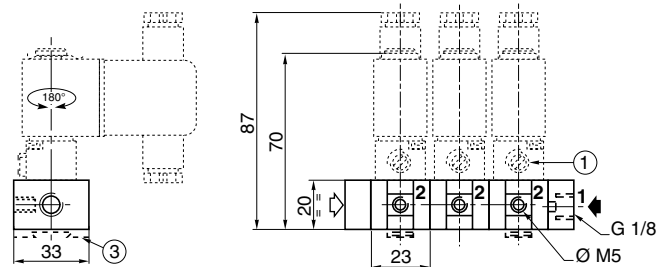


DIMENSIONS (mm), WEIGHT (kg)

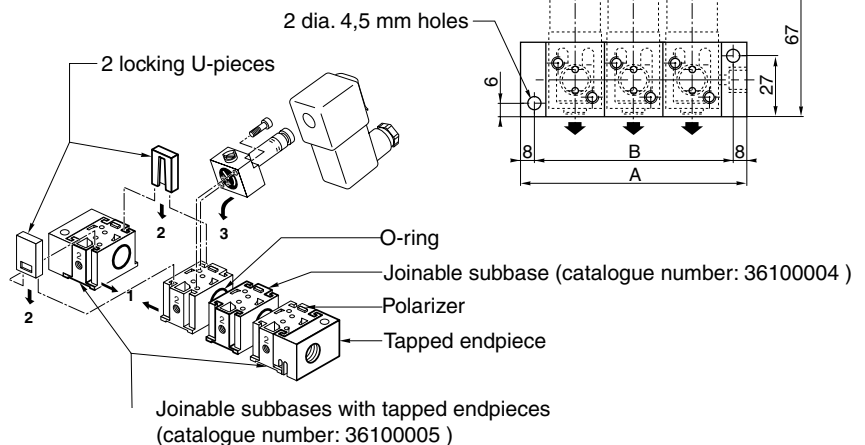
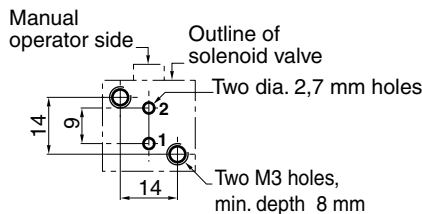
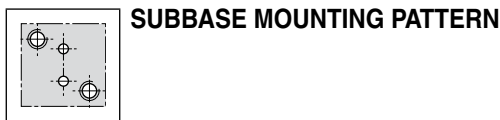
TYPE 01
Prefix "SC" Solenoid
Epoxy moulded
IEC 335 / DIN 43650 / IP65
weight : 0,100
10900001/03/04/06/17/29/40/43



JOINABLE SUBBASE G 1/8
PPS
36100005/36100032



- ① Manual operator location
- ② 2 M3 x 20 screws
- ③ Clips



| number of subbases | A | B | weight ⁽¹⁾ |
|--------------------|-----|-----|-----------------------|
| 2 | 72 | 56 | 0,300 |
| 3 | 95 | 79 | 0,420 |
| 4 | 118 | 102 | 0,540 |
| 5 | 141 | 125 | 0,660 |
| 6 | 164 | 148 | 0,780 |
| +1 | +23 | +23 | +0,120 |

⁽¹⁾ including coils, connectors and joinable endpieces.