

# PLIOLINE protection channel for underground cables and utility poles



PLIOLINE

## PLIOLINE GV

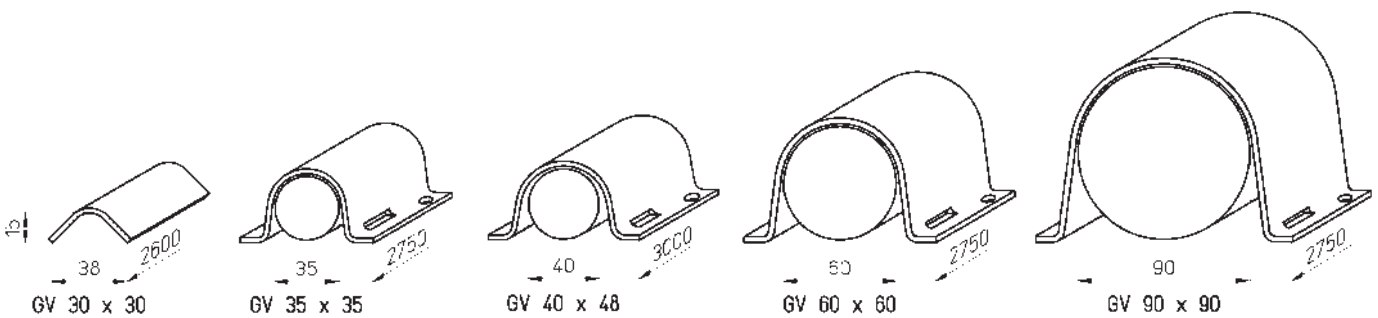
**Material:** rigid PVC modified choc, quality 9057  
**Operating temperatures:** -20 to +60°C  
**Dielectric strength:** 15 kV/mm  
**Volume resistivity:** 10<sup>14</sup> Ω.cm  
**Specifications:** V0 UL94  
 colour grey according to norm NF X 08-002/A625 and near RAL 7001.



Example for order:

code group	detail article	code colour
08060	xxxx	xxxx

type	art. no.	brown (BN)	grey (GY)	ivory (IV)	pce	length mm	capacity cable Ø maxi. (mm)	H mm	L mm	N° EDF	use
		006	013	030							
GV 30 x 30	0806 0041 ***	x	x	x	10	2600	7	17,5	42	68.80.535	earth cable
GV 35 x 35	0806 0043 ***	x	x	x	5	2750	35	38	68	68.80.540	protection for underground connections
GV 40 x 48	0806 0042 ***		x		5	3000	40	41	77		
GV 60 x 60	0806 0044 ***	x	x	x	5	2750	60	63	98	68.80.542	
GV 90 x 90	0806 0045 ***	x	x	x	5	2750	90	93	131	68.80.544	



PLIOLINE channel for the protection of underground to surface cables (earth, BT, MT) is attached to concrete or wooden poles with stainless steel strips or screws. PLIOLINE channel is manufactured in rigid PVC to technical specification EDF HN 60 S 02.

PLIOLINE channel is slotted and drilled ready to fix. Only the section for earth cables is plain (no bores, no slots) and should be attached with strip GV 30 x 30.

A detailed layout can be delivered upon request.

**Other lengths with other punching terminals or special colours from 500 lengths plus price upon request.**

