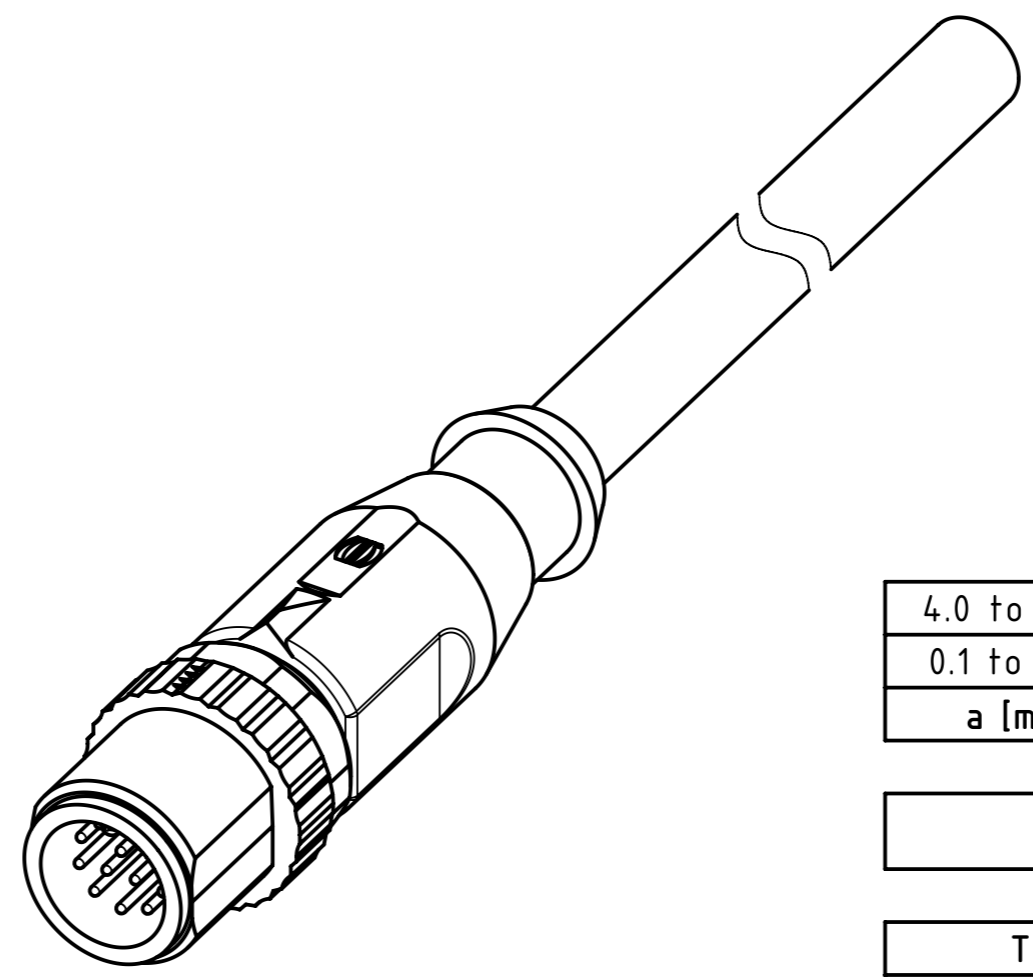
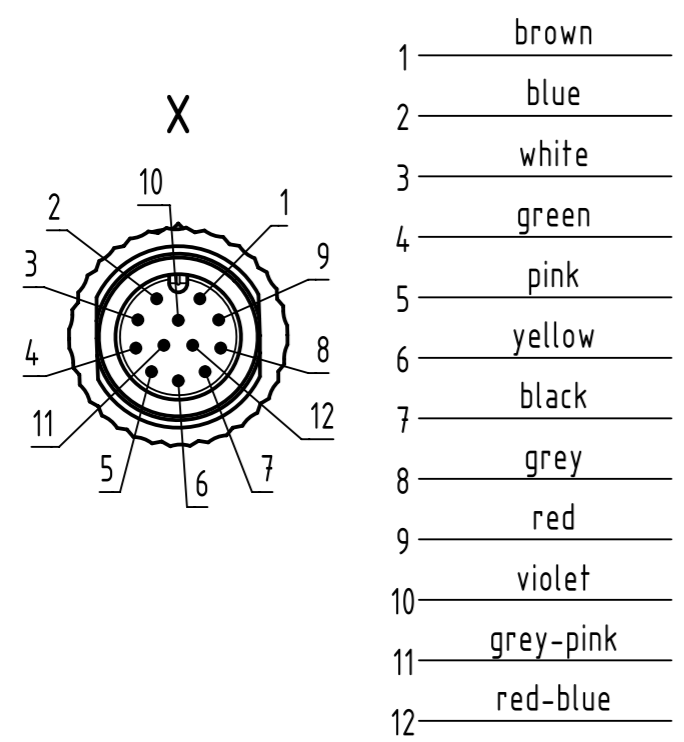


M12 A-coded 12-poles, male straight connector

Loading-Plan:



length in "1m" step	100	XXX=000
	99	XXX=990
	.	.
	12	XXX=120
	11	XXX=110
length in "0.1m" step	10	XXX=100
	9.9	XXX=099
	9.8	XXX=098
	.	.
	0.4	XXX=004
	0.3	XXX=003
Step	0.2	XXX=002
	0.1	XXX=001
		XXX

4.0 to 100	+1%
0.1 to 3.9	+0.04
a [m]	Tolerance

Part no. 21348400CXXXXX

Type of cable XX  
PVC grey, 12x0.14mm<sup>2</sup> XX=79

- Protection level: IP67  
- Temperature range: -30°C ... +80°C

	All rights reserved		Scale 2:1		Free size tol.		Ref.	
	Department EC PD - RO		Created by MUNTEANV	Inspected by AVRAM	Standardisation HOFFMANN	Date 2016-03-22	State Final Release	
HARTING Electronics GmbH		Title M12 A-coded Cable Assembly				Doc-Key / ECM-Nr. 100583095/UGD/009/B 500000102141		
D-32339 Espelkamp		Type TB	Number 21348400CXXXXX			Rev. B	Page 1/1	

# Mouser Electronics

Authorized Distributor

Click to View Pricing, Inventory, Delivery & Lifecycle Information:

## HARTING:

[21348400C79010](#) [21348400C79050](#) [21348400C79020](#) [21348400C79015](#) [21348400C79005](#) [21348400C79075](#)  
[21348400C79100](#)