

MFG. ENG.	APPROVED BY:	DATE:	QA	APPROVED BY:	DATE:
-----------	--------------	-------	----	--------------	-------

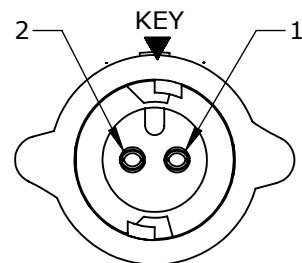
ASS'Y P/N	CONTACT QTY.	CABLE O.D. RANGE
W16282-2SG-P-311	2	0.09 - 0.14 [2.3 - 3.6]
W16282-2SG-P-315	2	0.15 - 0.17 [3.8 - 4.3]
W16282-2SG-P-318	2	0.18 - 0.20 [4.6 - 5.1]
W16282-3SG-P-311	3	0.09 - 0.14 [2.3 - 3.6]
W16282-3SG-P-315	3	0.15 - 0.17 [3.8 - 4.3]
W16282-3SG-P-318	3	0.18 - 0.20 [4.6 - 5.1]
W16282-XSG-P-3XX		

NOTES:

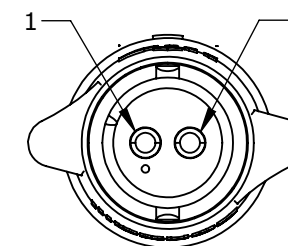
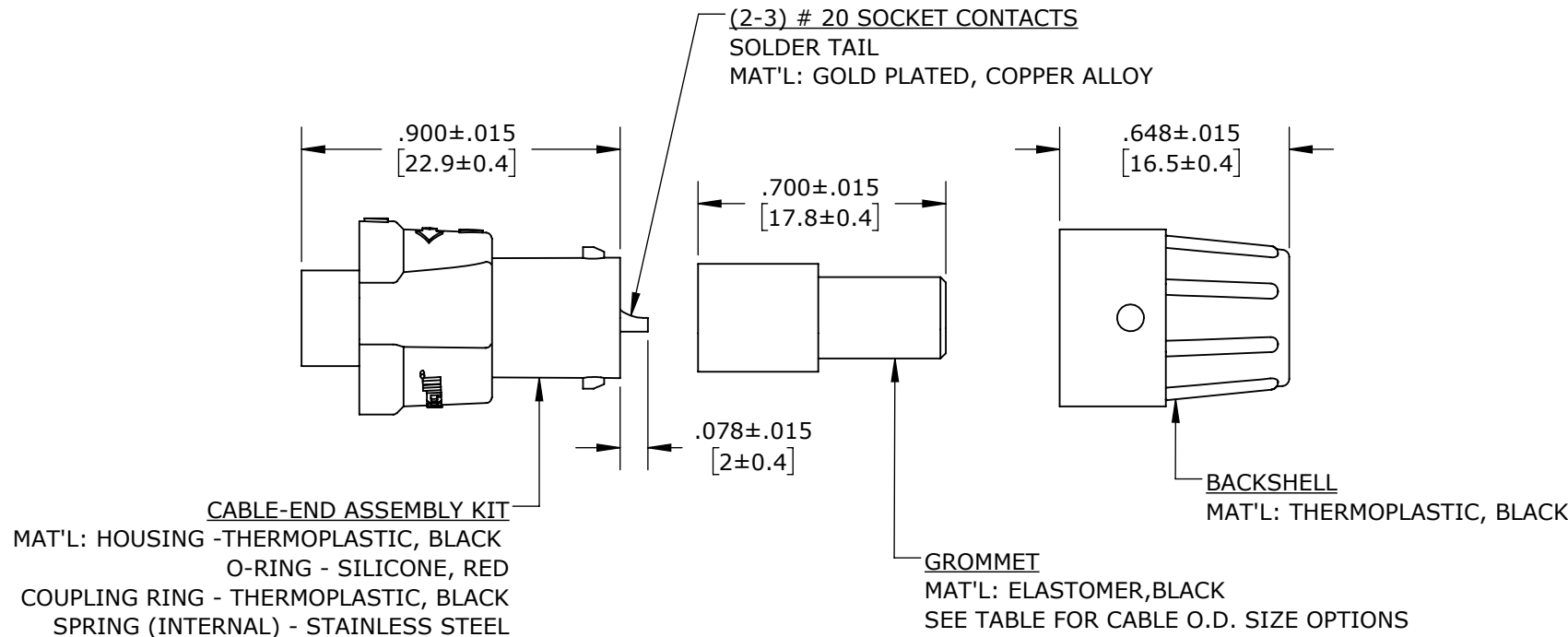
1. ALL PARTS ARE BULK PACKED.
2. REFER TO DRAWING HPMCSTD FOR CONTACT PATTERNS.
3. ALL DIMENSIONS ARE REFERENCE ONLY IN INCHES [mm], WITHIN ±0.015 UNLESS OTHERWISE NOTED.

OF CONTACTS

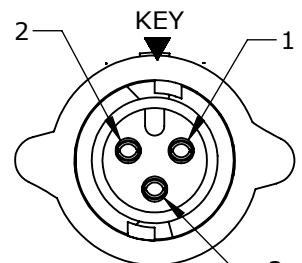
GROMMET SIZE = CABLE O.D. RANGE:
 311 = 0.09 - 0.14 [2.3 - 3.6]
 315 = 0.15 - 0.17 [3.8 - 4.3]
 318 = 0.18 - 0.20 [4.6 - 5.1]



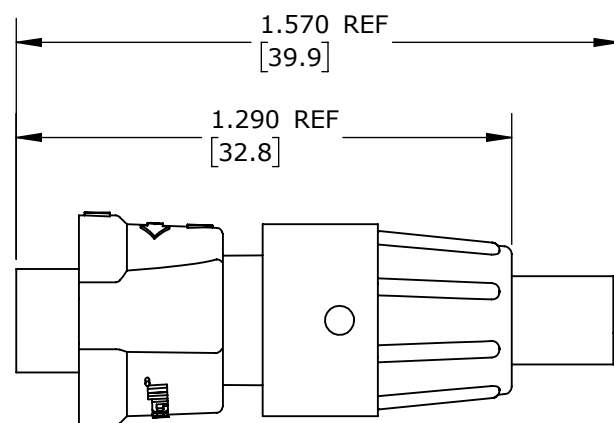
FACE VIEW
W16282-2SG-P-3XX



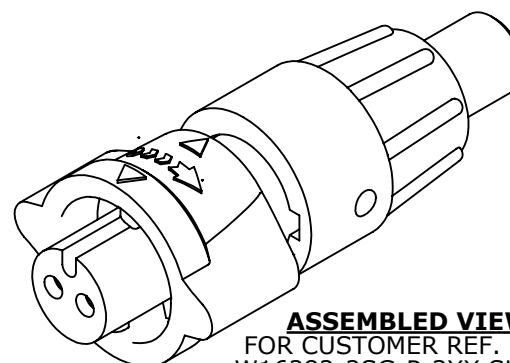
WIRING VIEW
W16282-2SG-P-3XX



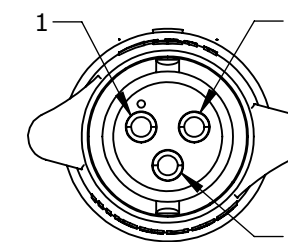
FACE VIEW
W16282-3SG-P-3XX



ASSEMBLED VIEW
FOR CUSTOMER REF. ONLY



ASSEMBLED VIEW
FOR CUSTOMER REF. ONLY
W16282-2SG-P-3XX SHOWN



WIRING VIEW
W16282-3SG-P-3XX

CUSTOMER PRINT

PART NUMBER: W16282-XSG-P-3XX

CUSTOMER APPROVAL

THIS DOCUMENT CONTAINS CONFIDENTIAL INFORMATION PROPRIETARY TO CONXALL CORPORATION. ANY REPRODUCTION, DISCLOSURE, OR USE OF THIS DOCUMENT /INFORMATION IS EXPRESSLY PROHIBITED UNLESS AUTHORIZED IN WRITING BY CONXALL CORPORATION.

APPROVED BY: _____
 DATE: _____

DIMENSIONS IS BRACKETS [] ARE METRIC

PRELIMINARY

RoHS COMPLIANT

0A	JGK	09/06/19	DRAWING CREATED FOR PDR #18004.		
REV.	INIT.	DATE	DESCRIPTION		
	JGK	9/06/19	ALL INFORMATION ILLUSTRATED IS THE PROPERTY OF "CONXALL CORPORATION." UNAUTHORIZED DUPLICATION OR DISTRIBUTION OF THIS DOCUMENT IS PROHIBITED. ALL UNITS ARE IN FEET, INCHES, FRACTION OF INCHES AND DECIMALS. UNLESS OTHERWISE SPECIFIED TOLERANCES: 3 PLACE DECIMALS ±.005 ANGLES ±1° FRACTIONS ±1/16 - CRITICAL CHARACTERISTIC FLAG PER SPEC. XXXX		
APPROVED BY:			 601 E. WILDWOOD VILLA PARK, IL 60181		
TITLE:			CABLE-END ASSEMBLY		
SCALE:			2-3 #20 SOCKET CONTACTS, SOLDER		
SIZE:			INSTA-CLICK, MICRO-CON-X		
SHEET:			STANDARD PRODUCT		
FILE:			CUSTOMER:		
W16282-XSG-P-3XX			W16282-XSG-P-3XX		
DIRECTORY:			PART NUMBER:		
SLW			W16282-XSG-P-3XX		
			REV 0A		

Mouser Electronics

Authorized Distributor

Click to View Pricing, Inventory, Delivery & Lifecycle Information:

Switchcraft:

[W16282-2SG-P-318](#) [W16282-2SG-P-311](#) [W16282-3SG-P-318](#) [W16282-3SG-P-311](#) [W16282-3SG-P-315](#) [W16282-2SG-P-315](#)