

**Olympian Plus
Relief Valve
G¹/₄ to G³/₄**

- **Olympian Plus plug in design**
- **Protect compressed air systems from over pressurisation**
- **High relief capacity**
- **Threaded relief port for silencer or piped exhaust**


Technical Data

Medium:

Compressed Air

Operating Temperature:

-20°C* to +80°C

* Consult our technical service for use below +2°C

Recommended Operating Pressures:

1 – 10 bar standard

0,4 – 4 bar optional

2 – 16 bar optional

Note: Use of this product outside of its recommended operating pressure range could lead to product malfunction and should not be attempted.

Gauge Ports:

R_c¹/₈

Relief Port:

G¹/₂

Materials:

Zinc alloy body, intermediate body, bonnet and yoke.

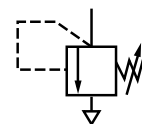
Aluminium alloy bottom plug. Steel adjusting screw.

Synthetic rubber elastomeric materials.

Ordering Information

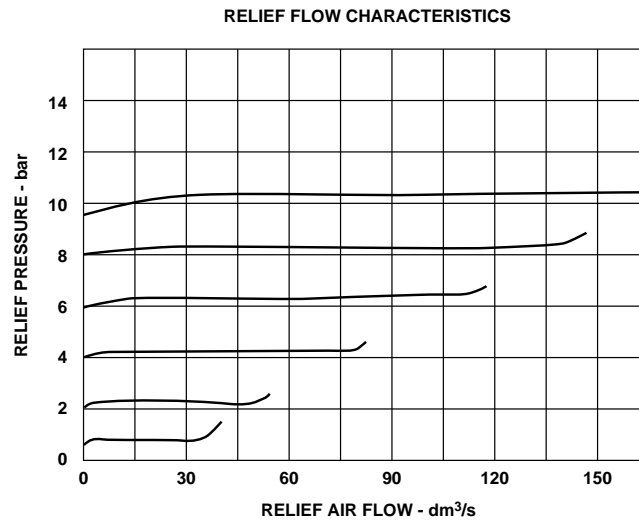
To order a standard Olympian Plus relief valve, quote model number from table overleaf.

For non-standard models substitute appropriate digits as instructed.

ISO Symbols




Typical Performance Characteristics



Ordering Information

Port Size	10 bar range	Weight kg
G ¹ / ₄	V64H-2GD-RMN	1,68
G ³ / ₈	V64H-3GD-RMN	1,66
G ¹ / ₂	V64H-4GD-RMN	1,63
G ³ / ₄	V64H-6GD-RMN	1,99

For replacement Relief Valve (without yoke) substitute 'N' at the 5th and 6th digits eg: V64H-NND-RMN.

Alternative Models

V 6 4 H - * * * - * * *

Range	Substitute
4 bar spring	F
10 bar spring	M
16 bar spring	S

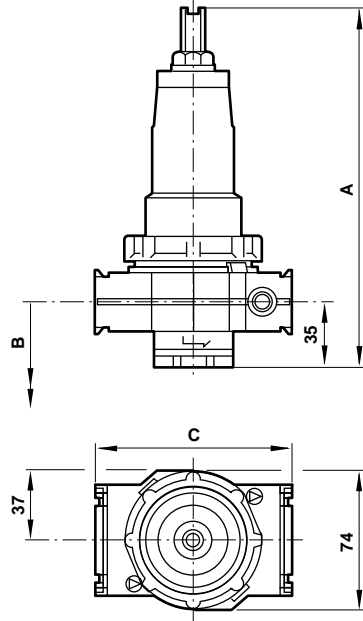
Accessories

Bracket Kit	Gauges	3/2 Shut-off Valve*	Tamper Resistant Cap	Silencer
74504-50	0- 6 bar: 18-013-012	G ¹ / ₄ T64T-2GB-P1N	1581-90	MB004B (R ¹ / ₂)
	0-10 bar: 18-013-013	G ³ / ₈ T64T-3GB-P1N		
	0-25 bar: 18-013-014	G ¹ / ₂ T64T-4GB-P1N		
		G ³ / ₄ T64T-6GB-P1N		

* UK and other patents pending

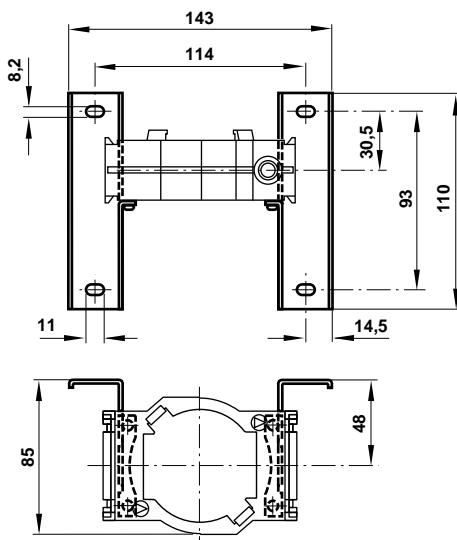


Dimensions (mm)



Dimension	Description	V64H
A	Maximum overall height	205
B	Minimum clearance to remove unit	221
C	For port sizes G $\frac{1}{4}$, G $\frac{3}{8}$, G $\frac{1}{2}$, (G $\frac{3}{4}$)	105 (157)

Bracket Mounting



Bracket Kit Reference

Model	Part No.
All Models	74504-50

Service Kits

Item	Type	Part number
Service kit	All models	4384-200
Gasket kit	All models	V13-GK

Service kit includes port and bottom plug 'O' rings, gasket, slip ring, valve assembly, valve spring, diaphragm, diaphragm stop and pilot valve assembly.