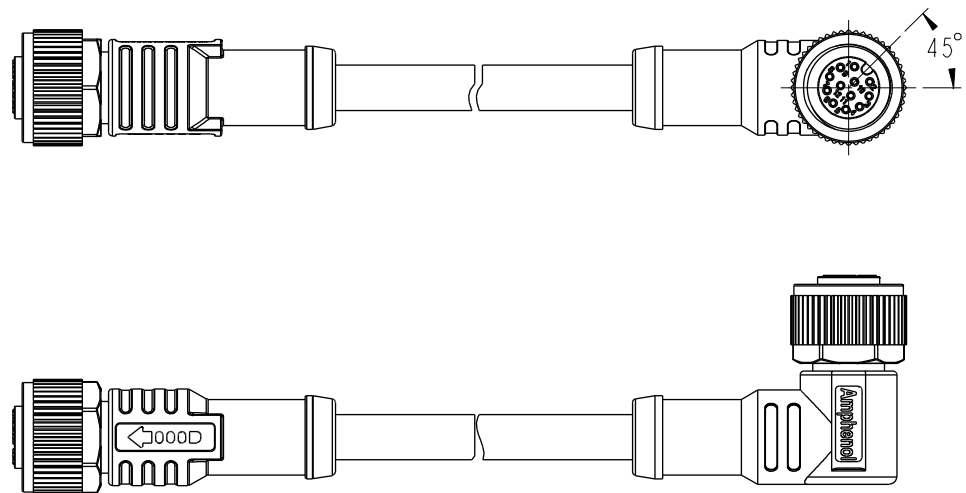
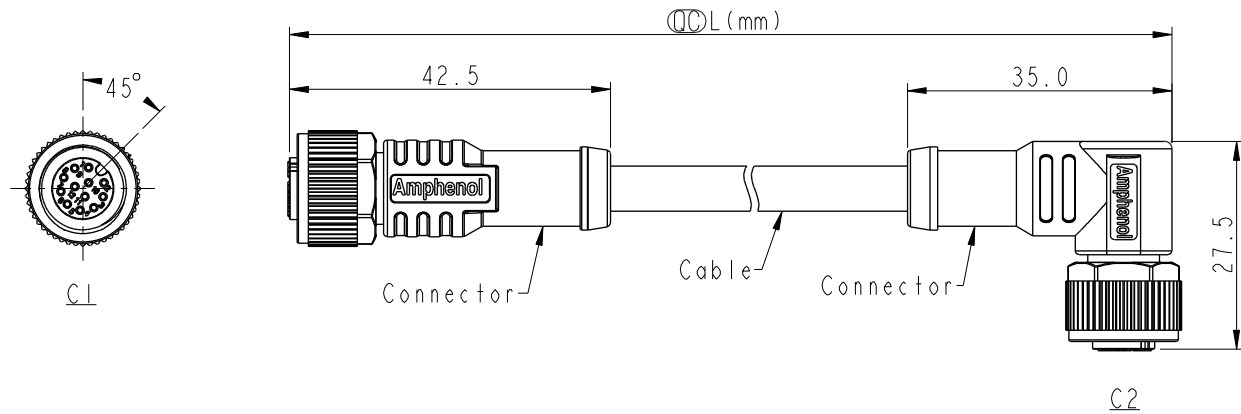


REV.	DESCRIPTION



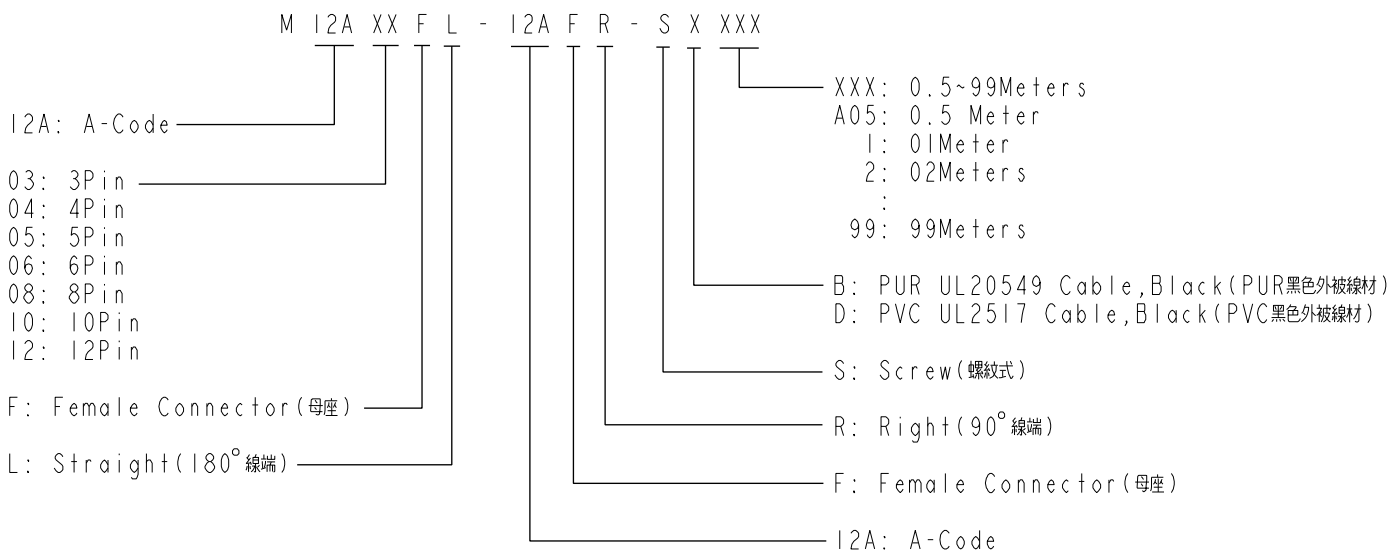
- Notes:
- \*  $\varnothing$  Important Dimension.
  - \* Waterproof Rate: IP68, IP69K.
  - \* Connector: PU+GF, Black.
  - \* Pin: Copper Alloy, Gold Plated.
  - \* Screw Nut: Zinc Alloy, Nickel Plated.
  - \* Outer Mold: PU, Black.
  - \* Cable: (B) UL20549, PUR Jacket, Black.  
(D) UL2517, PVC Jacket, Black.
  - \* Rated Voltage: 3 & 4Pin 250V dc. or ac.  
5Pin 60V dc. or ac.  
6~12Pin 30V dc. or ac.
  - \* Rated Current: 3~5Pin 4A  
6~8Pin 2A  
10~12Pin 1.5A
  - \* Cable Length Tolerance: 0.5±20mm  
01±40mm  
02M~05M:±60mm  
06M~10M:±100mm  
11M~30M:±200mm  
31M~99M:±500mm

UNIT:mm TOLERANCE ± 0.5 mm	TITLE MI2 A-Code Double Ended		Amphenol LTW 安費諾亮泰企業股份有限公司		ITEM NO	DRAWN BY Ruru	DATE 2018-12-04
	SCALE 1:2	SIZE A4			SHEET 1	OF 3	DWG NO MI2AXXFL-12AFR-SXXXX
	REV. A	WC-REV. A.1	QC: Inspection item		CUSTOMER ALTW	APPROVED BY Max	DATE 2018-12-04

THIS DOCUMENT IS SUBJECT TO CHANGE WITHOUT NOTICE. IT IS CONFIDENTIAL AND A PROPERTY OF Amphenol LTW. DISCLOSURE TO THIRD PARTY HAS TO BE AUTHORIZED BY Amphenol LTW.

THIS DOCUMENT IS SUBJECT TO CHANGE WITHOUT NOTICE. IT IS CONFIDENTIAL AND A PROPERTY OF Amphenol LTW. DISCLOSURE TO THIRD PARTY HAS TO BE AUTHORIZED BY Amphenol LTW.

12P	PVC	6.0	26	MI2A12FL-12AFR-SDXXX
10P				MI2A10FL-12AFR-SDXXX
8P		5.5	24	MI2A08FL-12AFR-SDXXX
6P		5.0		MI2A06FL-12AFR-SDXXX
5P		5.1	22	MI2A05FL-12AFR-SDXXX
4P		4.8		MI2A04FL-12AFR-SDXXX
3P	4.5	MI2A03FL-12AFR-SDXXX		
12P	PUR	6.0	26	MI2A12FL-12AFR-SBXXX
10P				MI2A10FL-12AFR-SBXXX
8P		4.8	24	MI2A08FL-12AFR-SBXXX
6P		5.0		MI2A06FL-12AFR-SBXXX
5P		4.4	22	MI2A05FL-12AFR-SBXXX
4P		4.0		MI2A04FL-12AFR-SBXXX
3P	3.8	MI2A03FL-12AFR-SBXXX		
Contacts	Cable Jacket	Cable OD	AWG	Item No.



UNIT:mm

TOLERANCE ± 0.5 mm

TITLE MI2 A-Code Double Ended			
SCALE 1:2	SIZE A4	SHEET 2 OF 3	
REV. A	WC-REV. A.1	QC: Inspection item	

**Amphenol LTW**  
安費諾亮泰企業股份有限公司

ITEM NO	DRAWN BY Ruru	DATE 2018-12-04
DWG NO MI2AXXFL-12AFR-SXXXX	CHECKED BY Rita	DATE 2018-12-04
CUSTOMER ALTW	APPROVED BY Max	DATE 2018-12-04



# Mouser Electronics

Authorized Distributor

Click to View Pricing, Inventory, Delivery & Lifecycle Information:

## Amphenol:

[M12A08FL-12AFR-SB001](#) [M12A10FL-12AFR-SBA05](#) [M12A08FL-12AFR-SDA05](#) [M12A08FL-12AFR-SBA05](#)  
[M12A10FL-12AFR-SDA05](#) [M12A05FL-12AFR-SBA05](#) [M12A05FL-12AFR-SDA05](#) [M12A08FL-12AFR-SD001](#)  
[M12A12FL-12AFR-SDA05](#) [M12A04FL-12AFR-SB001](#) [M12A05FL-12AFR-SD001](#) [M12A05FL-12AFR-SB001](#)  
[M12A04FL-12AFR-SDA05](#) [M12A12FL-12AFR-SBA05](#) [M12A04FL-12AFR-SD001](#) [M12A04FL-12AFR-SBA05](#)