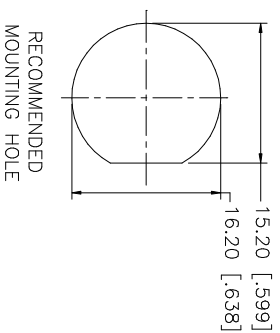
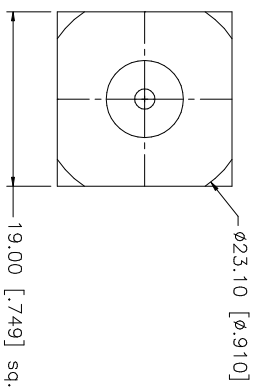
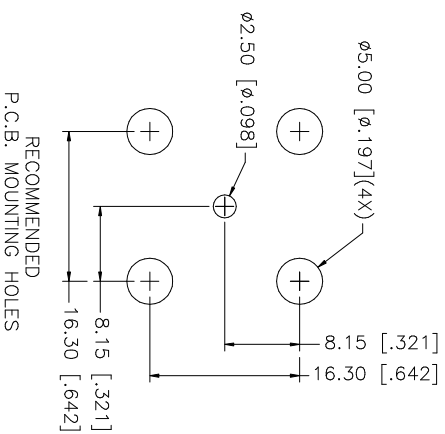
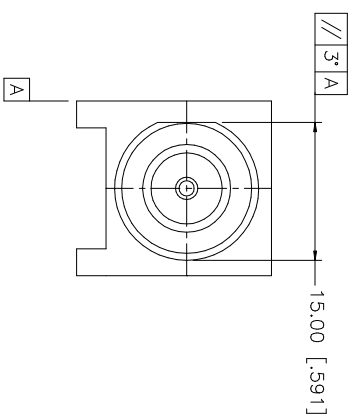
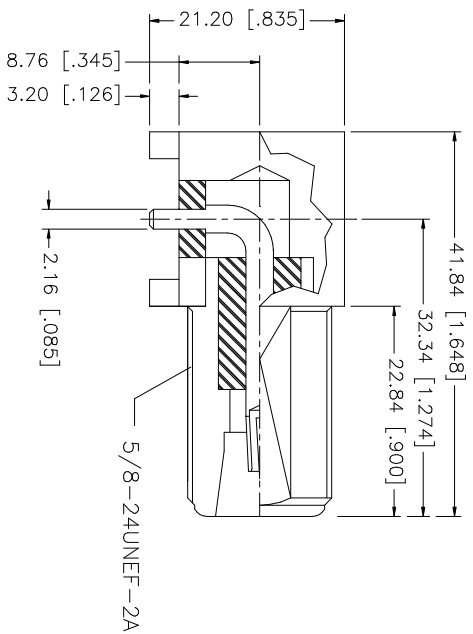


REV.	DATE	DESCRIPTION
NC	09/30/03	INITIAL RELEASE
A	06/25/06	REVISE BODY PLATING TO BRIT. TIN



RECOMMENDED
P.C.B. MOUNTING HOLES

NO.	DESCRIPTION	MATERIAL	FINISH	QTY	UNLESS OTHERWISE SPECIFIED DIMENSIONS ARE IN MILLIMETERS. DIMENSIONS IN [] ARE IN INCHES AND FOR SUBSTITUTION REFERENCE ONLY.	APPROVALS	DATE	PART DESCRIPTION	DWG. NO.	REV.	SIZE	SCALE	
8					UNLESS OTHERWISE SPECIFIED DIMENSIONS ARE IN MILLIMETERS. DIMENSIONS IN [] ARE IN INCHES AND FOR SUBSTITUTION REFERENCE ONLY. TOLERANCES FOR MILLIMETERS ARE: 0.5 - 8mm ± 0.20mm 8 - 30mm ± 0.40mm 30 - 120mm ± 0.50mm UNLESS OTHERWISE SPECIFIED TOLERANCES FOR INCHES ARE: .020 - .315 = ± 0.007" .315 - 1.180 = ± 0.015" 1.180 - 4.724 = ± 0.020"	DRAWN	G.R.S.	06/25/06	Amphenol Connex N R/A JACK (EXTENDED BODY)	172234-11.DWG	A	A	NA
7				CHECKED									
6				ISSUED									
5				SHEET		1 OF 1							
4													
3	CONTACT PIN	BER. COPPER	GOLD	1									
2	INSULATOR	TEFLON	NATURAL	1									
1	BODY	BRASS	BRIT. TIN	1									
	DESCRIPTION	MATERIAL	FINISH	QTY	DO NOT SCALE DRAWING	CAD FILE	C:/172/172234-11.DWG						

Mouser Electronics

Authorized Distributor

Click to View Pricing, Inventory, Delivery & Lifecycle Information:

[Amphenol:](#)

[172234-11](#)