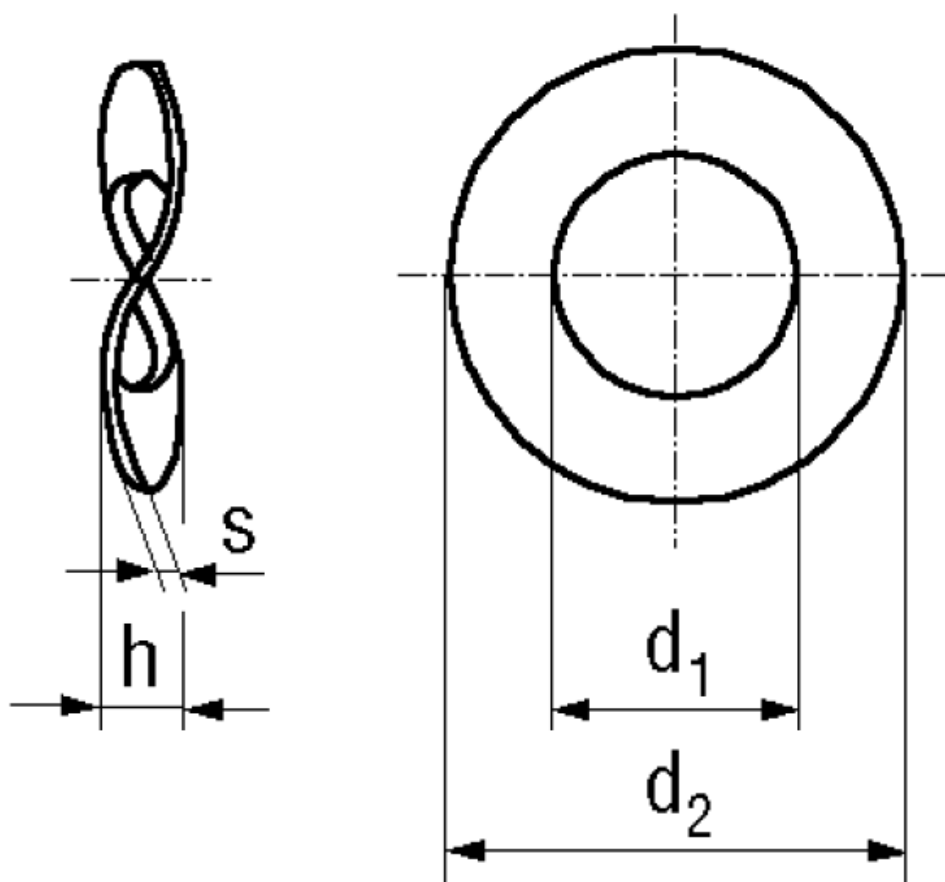


BN 678 - DIN 137 B

Waved spring washers

DIN 137 B
~UNI 8840 B



Material **Stainless steel** Quality **A2 / 1.4310**

Article No. - 1250205	
for thread	M3,5
d ₁	3,7
d ₂	8
h min.	0,9
s	0,5

Form A is no longer in force. We recommend DIN 137 B for new constructions.

Material: At manufacturer's option