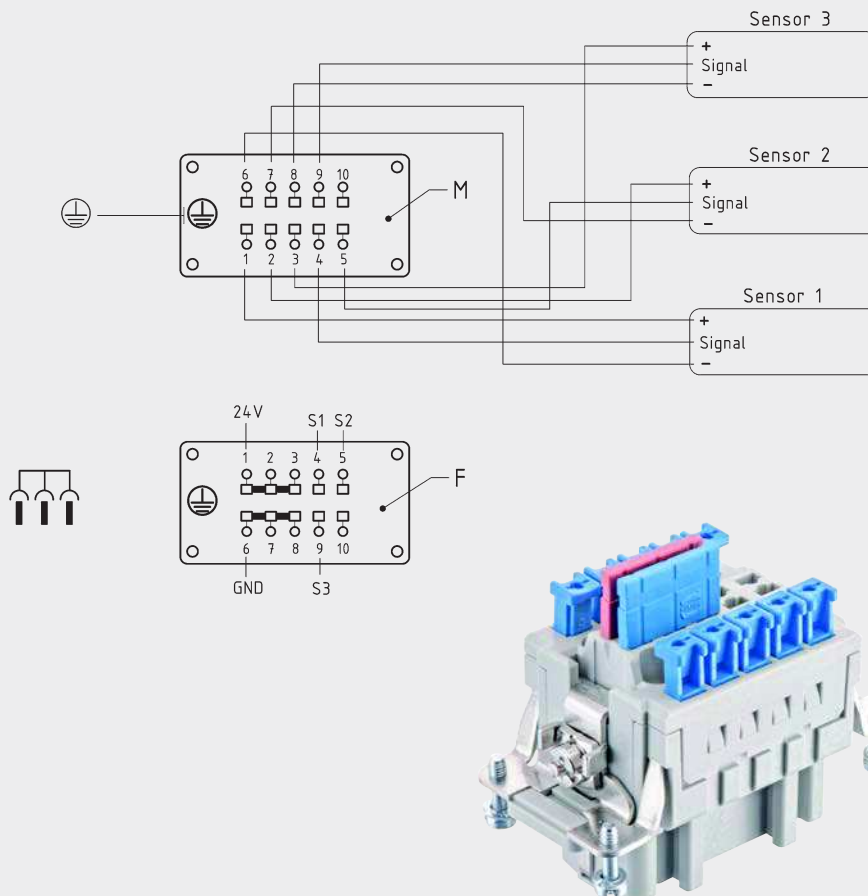


## A Connection Example for Multiplication of Potentials

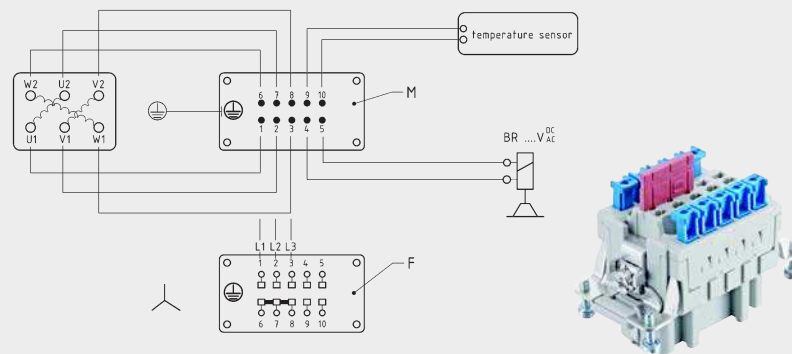
With the Han® ES Press plug-in jumpers, you can quickly and easily bridge contacts directly in the connector.



# An Application Example for Motor Connection Circuits

The star and delta connections can be easily implemented using the three-way lengthwise plug-in jumpers and the two-way cross-link plug-in jumpers.

## Star connection



## Delta connection

