

4

3

2

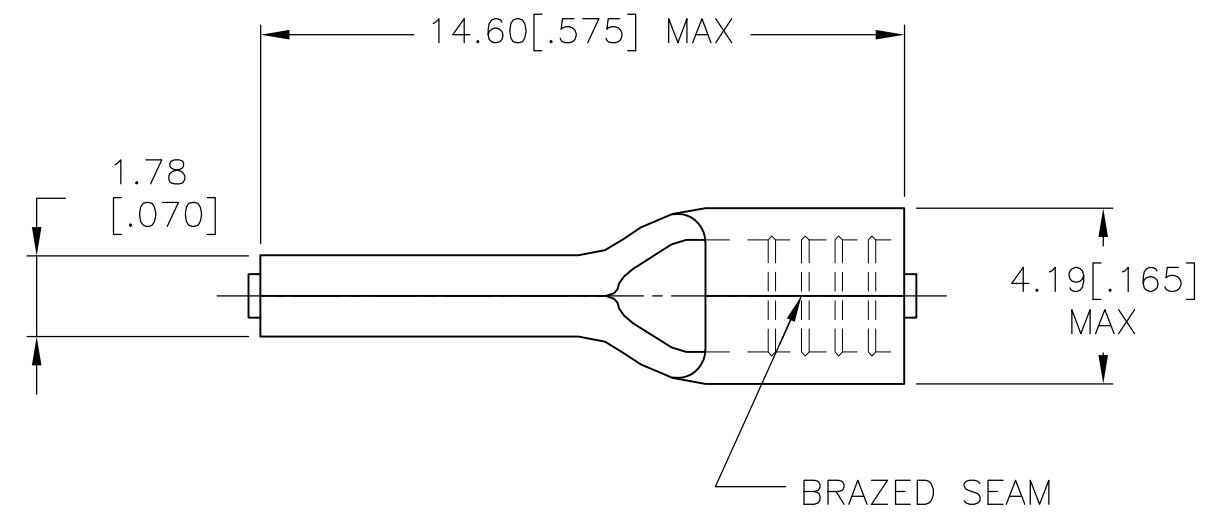
1

THIS DRAWING IS UNPUBLISHED. RELEASED FOR PUBLICATION
 © COPYRIGHT - By - ALL RIGHTS RESERVED.

LOC	DIST	REVISIONS			
P	LTR	DESCRIPTION	DATE	DWN	APVD
G	86	E1	REVISED PER ECO-14-003208	13MAR2014	NK DR

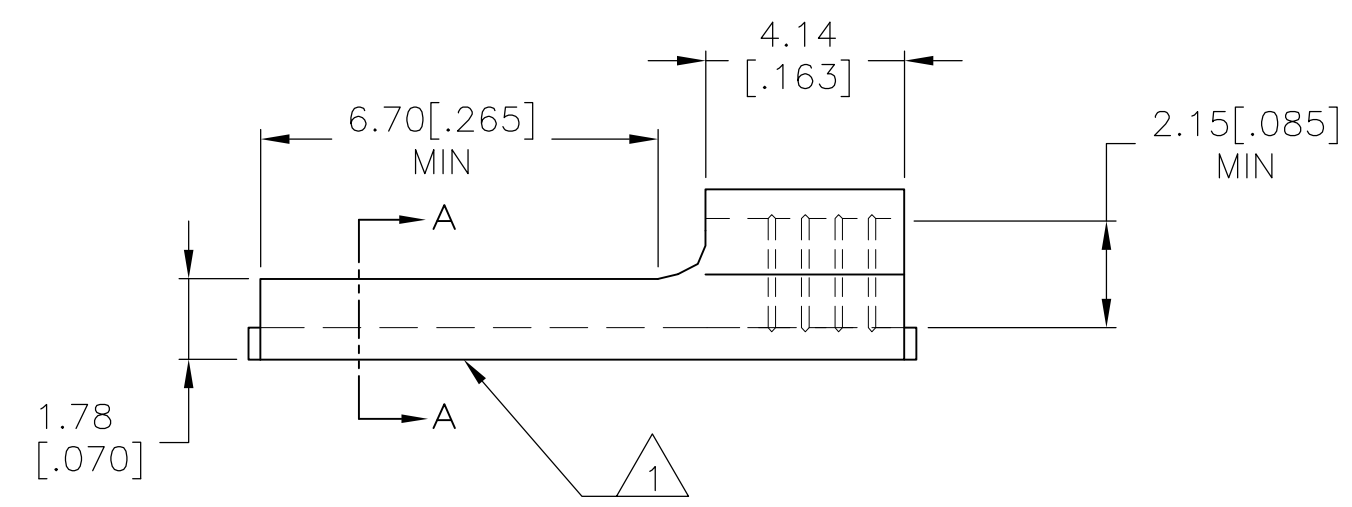
AMP
WIRE RANGE

16-14 AWG
SOLID OR STRANDED



- 1 STAMP AMP 16-14* APPROX AS SHOWN
- 2 MAX RECOMMENDED OPERATING TEMPERATURE 170°C [338°F]

SECTION A-A



1000	LOOSE PIECE	165045
QTY	PACKAGE TYPE	PART NO

THIS DRAWING IS A CONTROLLED DOCUMENT.		DWN	JR RUTH	01JUN07	 TE Connectivity	NAME		TERMINAL, WIRE PIN, SOLISTRAND, WIRE SIZE, 16-14 AWG					
DIMENSIONS: mm [INCHES]		CHK	M SPICER	01JUN07		PRODUCT SPEC		-					
TOLERANCES UNLESS OTHERWISE SPECIFIED:		APVD	M SPICER	01JUN07		APPLICATION SPEC		-					
0 PLC ± - 1 PLC ± - 2 PLC ± - 3 PLC ± 0.20 [.008] 4 PLC ± - ANGLES ± -		MATERIAL		FINISH		WEIGHT		-					
COPPER PER ASTM B152		TIN PLATE PER ASTM B545		CUSTOMER DRAWING		SIZE	A3	CAGE CODE	00779	DRAWING NO	C-165045	RESTRICTED TO	-
1470-19 (3/11)		SCALE		6:1		SHEET		1 OF 1		REV		E1	