

165045 ✓ ACTIVE

SOLISTRAND

TE Internal #: 165045

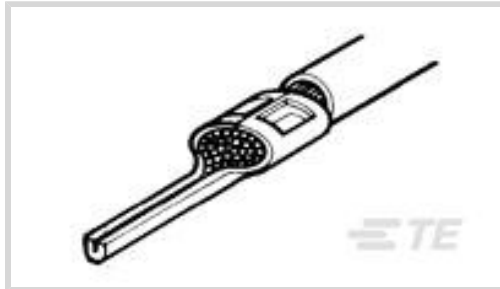
Crimp Wire Pins, Tabs & Ferrules, Wire Pin, Pin Diameter 1.78 mm [.07 in], 16 – 14 AWG Wire Size, 1 – 2.5 mm² Wire Size, 2050 – 5180

CMA Wire Size

[View on TE.com >](#)



Terminals & Splices > Crimp Wire Pins, Tabs & Ferrules



Crimp Wire Pin, Tab & Ferrule Terminal Type: **Wire Pin**

Pin Diameter: **1.78 mm [.07 in]**

Wire Size: **2050 – 5180 CMA**

Features

Product Type Features

Sealable	No
Compatible With Discrete Wire Type	Stranded
Wire Insulation Support Retention Type	Non-Insulation Support

Configuration Features

Compatible With Wire & Cable Type	Discrete Wire
-----------------------------------	---------------

Body Features

Double Wire	No
-------------	----

Contact Features

Terminal Length	6.7 mm[.26 in]
Crimp Wire Pin, Tab & Ferrule Terminal Type	Wire Pin
Barrel Type	Closed
Terminal Plating Material	Tin
Pin Type	Formed
Pin Style	Round
Terminal Orientation	Straight

Termination Features

Bullet Terminal	Without
-----------------	---------

Mechanical Attachment

Wire Insulation Support	Without
-------------------------	---------



Dimensions

Pin Diameter	1.78 mm [.07 in]
Wire Size	2050 – 5180 CMA
Barrel Inside Diameter	2.15 mm [.07 in]
Terminal Material Thickness	.79 mm [.031 in]
Overall Product Length	14.22 mm [.56 in]

Usage Conditions

Insulation Requirement	Uninsulated
Operating Temperature Range	170 °C [338 °F]

Operation/Application

Heavy Duty	No
------------	----

Packaging Features

Packaging Quantity	1000
Packaging Method	Box

Product Compliance

[For compliance documentation, visit the product page on TE.com>](#)

EU RoHS Directive 2011/65/EU	Compliant
EU ELV Directive 2000/53/EC	Compliant
China RoHS 2 Directive MIIT Order No 32, 2016	No Restricted Materials Above Threshold
EU REACH Regulation (EC) No. 1907/2006	Current ECHA Candidate List: JUL 2021 (219) Candidate List Declared Against: JUL 2021 (219) Does not contain REACH SVHC
Halogen Content	Low Halogen - Br, Cl, F, I < 900 ppm per homogenous material. Also BFR/CFR/PVC Free
Solder Process Capability	Not applicable for solder process capability

Product Compliance Disclaimer

This information is provided based on reasonable inquiry of our suppliers and represents our current actual knowledge based on the information they provided. This information is subject to change. The part numbers that TE has identified as EU RoHS compliant have a maximum concentration of 0.1% by weight in homogenous materials for lead, hexavalent chromium, mercury, PBB, PBDE, DBP, BBP, DEHP, DIBP, and 0.01% for cadmium, or qualify for an exemption to these limits as defined in the Annexes of Directive 2011/65/EU (RoHS2). Finished electrical and electronic equipment products will be CE marked as required by Directive 2011/65/EU. Components may not be CE marked. Additionally, the part numbers that TE has identified as EU ELV compliant have a maximum concentration of 0.1% by weight in homogenous materials for lead, hexavalent chromium, and mercury, and 0.01% for cadmium, or qualify for an exemption to these limits

as defined in the Annexes of Directive 2000/53/EC (ELV). Regarding the REACH Regulation, the information TE provides on SVHC in articles for this part number is based on the latest European Chemicals Agency (ECHA) 'Guidance on requirements for substances in articles' posted at this URL: <https://echa.europa.eu/guidance-documents/guidance-on-reach>

Compatible Parts



TE Part # 58545-1
SOLISTRAND 10-22 DIE ASSY



TE Part # 49935
DAHT SOLIS 22-10 ASSY




TE Part # 525693
DAHT SOLIS 22-10 ASSY



TE Part # 6-1377172-5
SMP 0-0165045-0



TE Part # 169400
CERTI-LOK



TE Part # 574573
DAHT SOLIS 22-10 ASSY

Customers Also Bought




TE Part # 2213580-1
LUMAWISE LED HOLDER Z50 LOW PROFILE 1924



TE Part # 170365-3
MINI UNIVERSAL M-N-L SOCKET LP



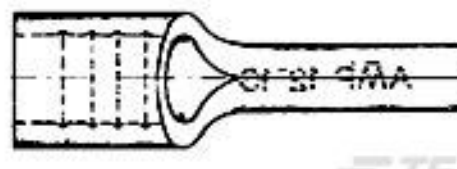
TE Part # 180464-5
250 FASTON, FLAG, REC., 14-17AWG, LATON



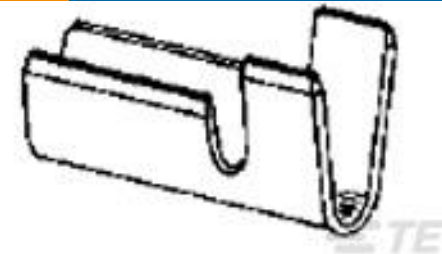
TE Part # 3363736003
LSTT-R-6.4-0



TE Part # 1571999-1
ADP0204=PIANO DIP SWITCH



TE Part # 165140
SOLIS 22-16 WIRE PIN, SHORT



TE Part # 1-925553-0
AM WIRE PIN 22-18 0.32MM BR



TE Part # 1-180984-0
FASTON 250 FLAG BOOT NYLON NAT



Documents

Product Drawings

SOLIS 16-14 WIRE PIN, SHORT

English

Product Environmental Compliance

TE Material Declaration

English

Agency Approvals

CSA Certificate

English

CSA Certificate

English