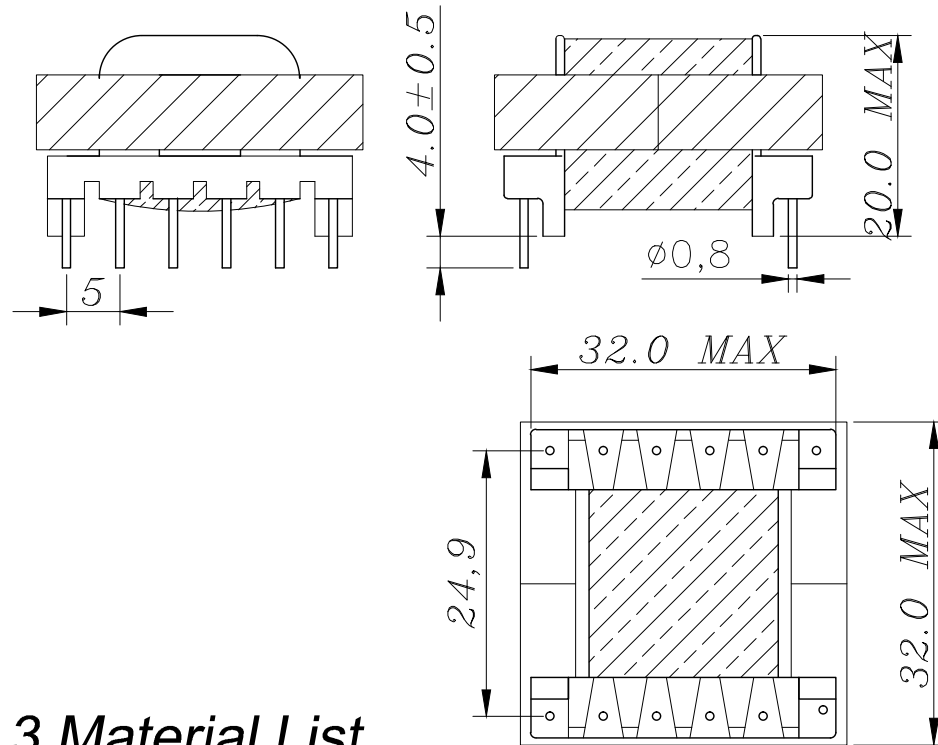
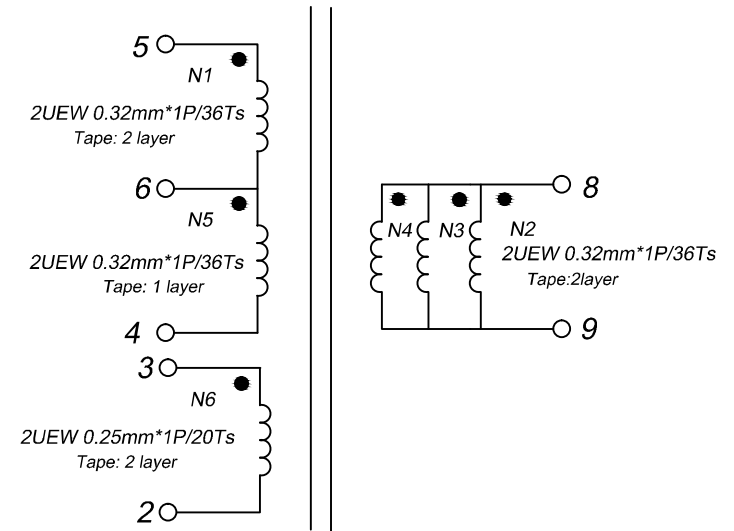


CUSTOMER TERMINAL	ROHS	Lead (Pb) -free
	YES	YES

1. Mechanical Dimensions (Unit:mm)



2. Schematic Diagram



3. Material List

Core:FW40-EE30
 Bobbin:EE30 6+6PIN
 Wire:2UEW 0.25mm 0.32mm 155°C
 Tapes: JY25-A1
 Vranish:T4260GK

4. Electrical Specification

Inductance: L(5-4)=750uH±5% 100KHZ 1.0V
 Hi-pot: N1,N5 to N6 AC 50HZ 1000V2mA3SEC
 P to S AC 50HZ 3000V2mA3SEC
 S to CORE AC 50HZ 1500V2mA3SEC

REV.	DATE	 Convention Placement	DRW.		Drawing Title: TRANSFORMER	Part No: FWPT EE30H-751J
0	04/15		CHK.			
RoHS		www.ferriwo.com	APP.		Customer P/N: E30-V3	Specification Sheet 1 of 1