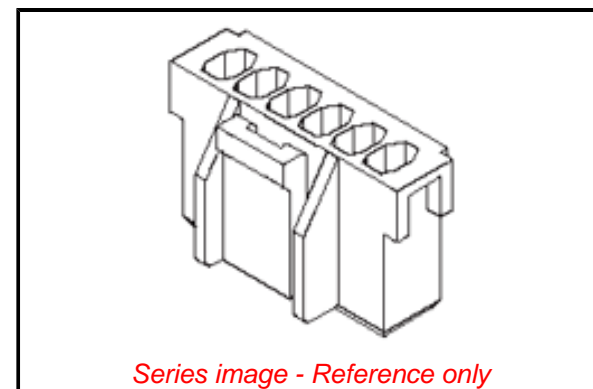


**PLEASE CHECK WWW.MOLEX.COM FOR LATEST PART INFORMATION**

**Part Number:** [0351550300](#)  
**Status:** **Active**  
**Description:** 2.50mm Pitch Wire-to-Board Housing, Positive Lock, Natural, 3 Circuits

**Documents:**

<a href="#">3D Model</a>	<a href="#">Product Specification PS-35184-001-001 (PDF)</a>
<a href="#">Drawing (PDF)</a>	<a href="#">Product Specification PS-68143-001-001 (PDF)</a>
<a href="#">3D Model (PDF)</a>	<a href="#">Packaging Specification 351550200-100 (PDF)</a>
<a href="#">Product Specification PS-35155-001-001 (PDF)</a>	<a href="#">Packaging Specification PK-35155-001-001 (PDF)</a>
<a href="#">Product Specification PS-35155-002-001 (PDF)</a>	<a href="#">RoHS Certificate of Compliance (PDF)</a>



**Agency Certification**

CSA	LR19980
UL	E29179

**General**

Product Family	Crimp Housings
Series	<a href="#">35155</a>
Application	Signal, Wire-to-Wire
Product Name	N/A
UPC	800753683914

**Physical**

Breakaway	No
Circuits (maximum)	3
Color - Resin	Natural
Flammability	94V-0
Gender	Receptacle
Glow-Wire Capable	No
Keying to Mating Part	None
Lock to Mating Part	Yes
Material - Resin	Polyester
Net Weight	0.386/g
Number of Rows	1
Packaging Type	Bag
Panel Mount	No
Pitch - Mating Interface	2.50mm
Pitch - Termination Interface	2.50mm
Temperature Range - Operating	-40° to +105°C

**Material Info**

**Reference - Drawing Numbers**

Packaging Specification	351550200-100, PK-35155-001-001
Product Specification	PS-35155-001-001, PS-35155-002-001, PS-35184-001-001, PS-68143-001-001
Sales Drawing	SD-35155-XX0X

**EU ELV**

**Not Relevant**

**EU RoHS**

**Compliant**

**REACH SVHC**

Not Contained Per -  
D(2020)4578-DC (25  
June 2020)

**Halogen-Free**

**Status**

**Not Low-Halogen**

For more information, please visit [Contact US](#)

China ROHS

ELV

RoHS Phthalates

**China RoHS**

Green Image

Not Relevant

Not Contained

**Search Parts in this Series**

[35155 Series](#)

**Mates With**

[35312](#) Vertical Shrouded Header, [35184](#)  
Wire-to-Wire Plug Housing

**Use With**

[5103](#) SPOX Crimp Terminal

# Mouser Electronics

Authorized Distributor

Click to View Pricing, Inventory, Delivery & Lifecycle Information:

[Molex:](#)

[35155-0300](#)