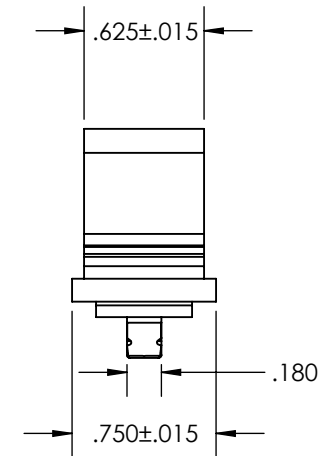
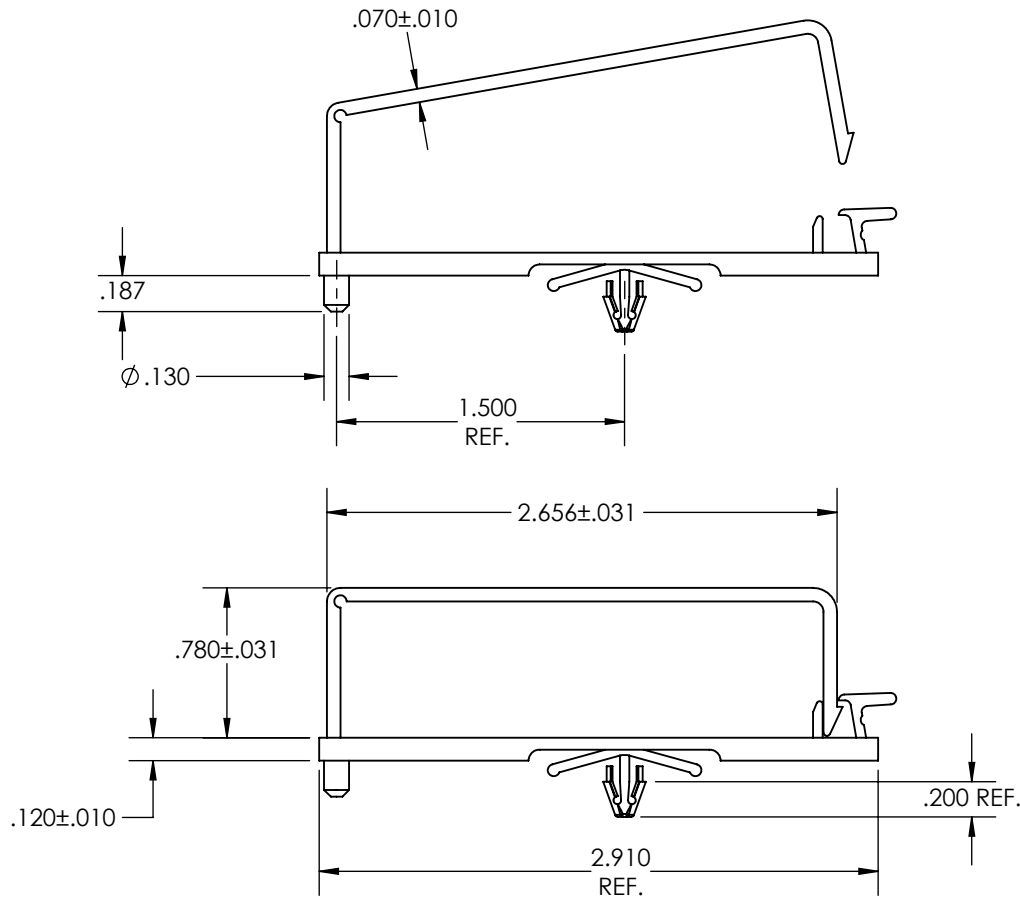


UNCONTROLLED DOCUMENT

NOTES:

HOLE SIZE: .188
 PANEL THK: .020 - .080



TOLERANCES UNLESS NOTED

- ±.005 ON DIMENSIONS THRU .625
- ±.008 ON DIMENSIONS .626 THRU 1.000
- ±.010 ON DIMENSIONS 1.001 THRU 1.500
- ±.015 ON DIMENSIONS LARGER THAN 1.500
- ±.015 ON FRACTIONAL DIMENSIONS

**WE RESERVE THE RIGHT
 TO DISCONTINUE ITEMS,
 CHANGE SPECIFICATIONS
 OR DESIGN AT ANY TIME
 WITHOUT NOTICE AND
 WITHOUT INCURRING
 ANY OBLIGATIONS**

PROPERTY OF
MICRO PLASTICS INC.

CATALOG DRAWING
 CABLE CLIP
 MICRO P/N 22ACC780265
 DWG. # 22ACC780265
 FILE SERVER\ENG\WEB

MATERIAL: NYLON 6/6

DATE

SCALE
 1:1

TA