

Single Row Terminal Blocks

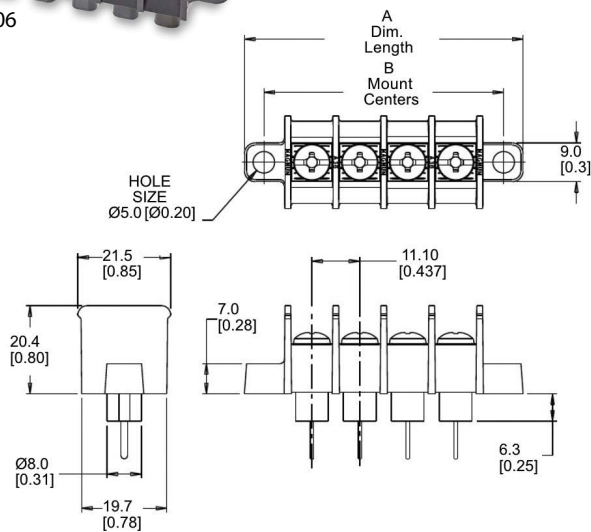
A38 & B38

Dimensions Inches (Millimeters)

A38



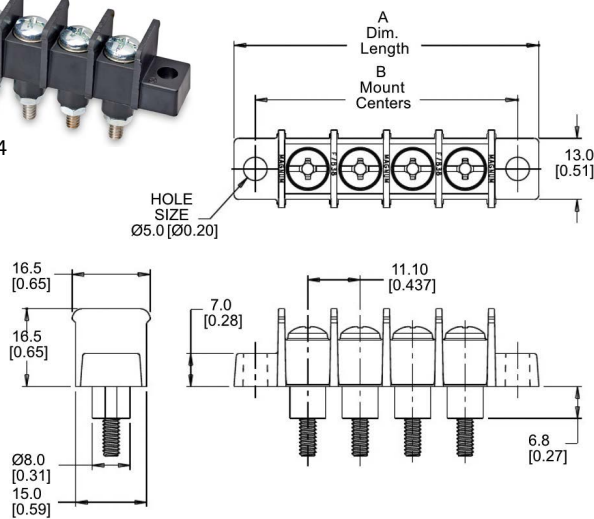
A389306



B38



B384404



Specifications

A38: 30A, 600V

B38: 50A, 300V

Center Spacing: 0.437" (11.10mm)

Wire Range: A38: #10-22 AWG Cu; B38: #8-16 AWG

Screw Size: #8-32 zinc-plated steel

Torque Rating: A38: 9 lb-in; B38: 15 lb-in for #8, 9 lb-in for #6

Base: A38 Only: Standoffs standard for easy flux washing

Distance Between Barriers: 0.378" (9.60mm)

Recommended PCB Hole Diameter (A38): 0.076" (1.93mm)

Operating Temperature: 105°C (221°F) max to -40°C (-40°F)

Molded Material: Black, UL Rated 94V0 Thermoplastic

Breakdown Voltage: 5000V

Agency Information: UL File E62622, CSA File 47235; CE Certified

Poles	MOUNTING ENDS ONLY		BARRIER ENDS ONLY
	A Mounting Centers	"A" Dimension Length	"A" Dimension Length
02	1.31	1.67	0.93
03	1.75	2.10	1.37
04	2.19	2.54	1.81
05	2.62	2.98	2.25
06	3.06	3.41	2.68
07	3.50	3.85	3.12
08	3.93	4.29	3.56
09	4.37	4.72	3.99
10	4.81	5.16	4.43
11	5.24	5.60	4.87
12	5.68	6.04	5.30
13	6.12	6.47	5.74
14	6.56	6.91	6.18
15	6.99	7.35	6.61
16	7.43	7.78	7.05

Dimensions in inches. To convert to millimeters, multiply by 25.4.



Powering Business Worldwide

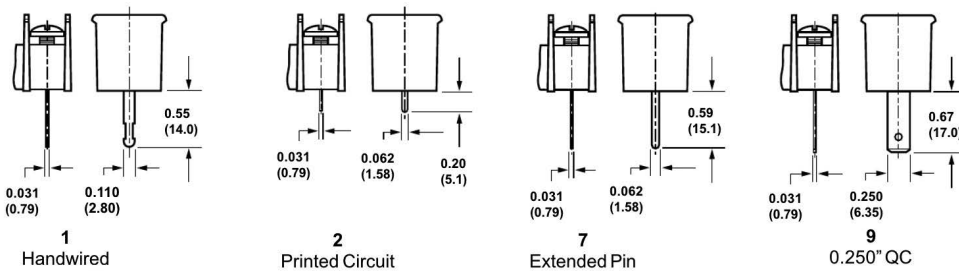
Part Numbering System

Family	Terminal Style	Base/End	Poles	Screw Options	Options
A 3 8					
	1 - handwired* 2 - printed circuit 7 - extended wire wrap 9 - 0.250" QC*	1 - flat base, mount end 2 - flat base, barrier end 3 - insulator base** mount end 4 - insulator base** barrier end	02 to 16	Blank - standard screw (steel zinc-plated, philslot BHMS) 04 - brass, nickel-plated, philslot BHMS 07 - steel, SEMS zinc-plated philslot screw	L1 to L6 marking options (pg 25) Covers - (pg 26)

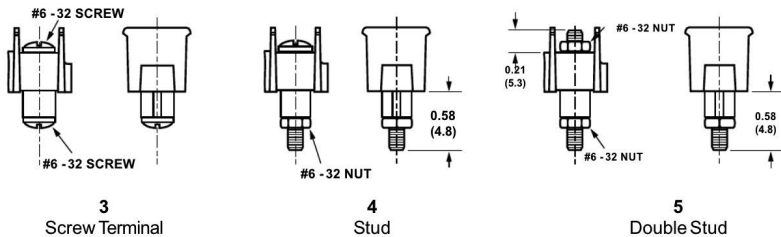
Family	Terminal Style	Base/End	Poles	Screw Options	Options
B 3 8					
	3 - screw terminal (#6-32 screw top & bottom) 4 - stud (#8-32 screw top, #6-32 stud bottom) 5* - double stud (#6-32 stud top & bottom) *C360 Copper Alloy (bright tin plate)	4 - insulator base, barrier end 9 - insulator base, mount end	02 to 16	Blank - standard screw (steel zinc-plated, philslot BHMS) 34** - #6-32 nickel-plated brass philslot BHMS **Note: 34 screws only available with "3" terminal style	L1 to L6 marking options (pg 25) Covers - (pg 26)

A38 Terminal Styles Inches (Millimeters)

Wire ready screws standard

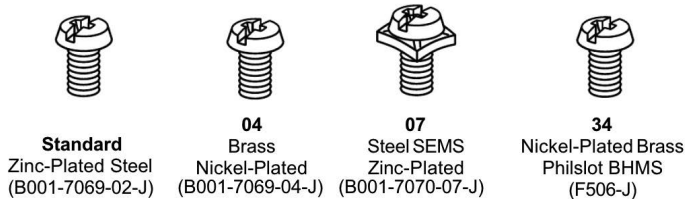


B38 Terminal Styles



Screw Options

(Bulk ordering part numbers are in parentheses)



Contact Us

Sales and Customer Service

Americas

Email: elx.americas@eaton.com

Europe, Middle East, Africa

Email: elx.emea@eaton.com

China

Email: elx.cn@eaton.com

Japan

Email: elx.jp@eaton.com

Korea

Email: elx.kr@eaton.com

South East Asia

Email: elx.sea@eaton.com

Taiwan

Email: elx.tw@eaton.com

Global Technical Support

Magnetics: InductorTech@eaton.com

Circuit Protection: FuseTech@eaton.com

Supercapacitors: CapacitorTech@eaton.com

www.eaton.com/terminalblocks

Tools

Eaton's Electronics Product Selection Tools



PARAMETRIC SEARCH

Drill down into the Eaton Electronics product database to find the right part for your application.



IC MATCHING

Find the Eaton Electronics parts called out on IC manufacturers' demo and evaluation boards.



CROSS REFERENCE

Find a cross to a competitor's product or to an alternate Eaton Electronics part number.



SUPERCAPACITOR CALCULATOR

Determine your calculated requirements and design capability.



TERMINAL BLOCK SELECTOR

Find the right terminal block for any application.



AUTOMOTIVE ELECTRONICS SOLUTIONS

Find electronics components for automotive solutions.

tools.eatonelectronics.com

Mouser Electronics

Authorized Distributor

Click to View Pricing, Inventory, Delivery & Lifecycle Information:

Eaton:

[A38211204](#) [A38730804](#) [A382203](#) [A38130204](#) [A38730807](#) [A38131204](#) [A381303](#) [B383906](#) [A389303](#) [A389102](#)
[B385915](#) [A389304](#) [B383913](#) [A38131604](#) [A38220404](#) [B38190804](#) [B383916](#) [B381906](#) [B381903](#) [B38190204](#)
[A38120707CA](#) [A38930694](#) [A38710307](#) [A387308](#) [B384903](#) [A38130804](#) [B384906](#) [A389305](#) [B383406](#) [A38930807](#)
[A38110307](#) [A38720807](#) [B384402L5](#) [B38340334RC](#) [B38140894](#) [A382207](#) [B383416](#) [B385902](#) [B38190294](#)
[A38130407](#) [A38130307](#) [A38220607](#) [A38731004](#) [A38221107](#) [B383904](#) [B38391434](#) [A38221207](#) [A382104](#)
[A38111204](#) [B383912](#) [A38220307](#) [A38110804](#) [B38390234](#) [A382204](#) [A389103](#) [B38390632](#) [A389107](#) [B38100404](#)
[A381108](#) [A38130604](#) [B384902](#) [B38190304](#) [A389308](#) [B382007](#) [A38730604](#) [A38220204](#) [A38220604](#) [B384904](#)
[B383903](#) [B38190404](#) [A38721007](#) [B383402](#) [B384408](#) [A38220907](#) [A38710207](#) [B384908](#) [A389306](#) [A389104](#)
[B383905](#) [A38910207](#) [A38930204](#) [A381103](#) [A38211007](#) [B381403](#) [A38910604](#) [A38220804](#) [A38720607](#) [A38131404](#)
[B385904](#) [A38220507](#) [B383910](#) [A38710407](#) [A38930604](#) [B381904](#) [A38930404](#) [B38390334](#) [A38130704](#) [A389307](#)
[B38140600](#) [A38910807](#)