

4

3

2

1

THIS DRAWING IS UNPUBLISHED. RELEASED FOR PUBLICATION 2008
 © COPYRIGHT 2008 - ALL RIGHTS RESERVED.

LOC	DIST	REVISIONS			
P	LTR	DESCRIPTION	DATE	DWN	APVD
E	B	BA1	REVISD PER ECO-11-005150	29MAR2011	RK HMR

FOR FURTHER INFORMATION SEE DATA SHEET FOR
 SERIES RGP- METAL GLAZE FIXED RESISTORS

D

D

C

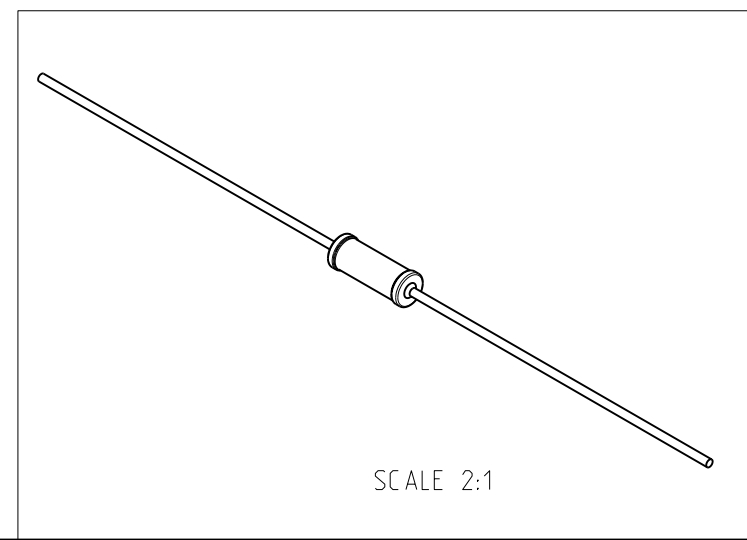
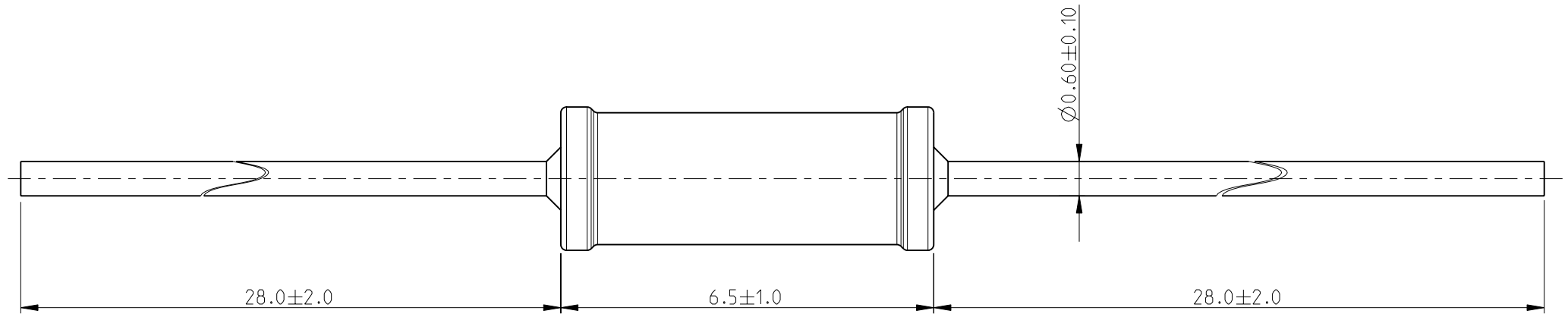
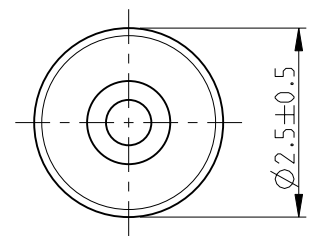
C


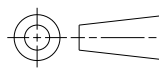
B

B

A

A



THIS DRAWING IS A CONTROLLED DOCUMENT.		DWN	SUBHASH.M 22-DEC-08		 TE Connectivity METAL GLAZE FIXED RESISTORS STYLE RGP0207CH	
DIMENSIONS: mm		CHK	PRAKASH.S 22-DEC-08			
		APVD	STEPHEN.P 22-DEC-08			
TOLERANCES UNLESS OTHERWISE SPECIFIED: 0 PLC ± 0.2 1 PLC ± 0.1 2 PLC $\pm -$ 3 PLC $\pm -$ 4 PLC $\pm -$ ANGLES $\pm 5^\circ$		PRODUCT SPEC	-			
MATERIAL	-	FINISH	-		APPLICATION SPEC	-
		WEIGHT	-		SIZE	A3
		CUSTOMER DRAWING			CAGE CODE	00779
					DRAWING NO	1623708
					RESTRICTED TO	-
					SCALE	10:1
					SHEET	1 OF 1
					REV	BA1

Mouser Electronics

Authorized Distributor

Click to View Pricing, Inventory, Delivery & Lifecycle Information:

[TE Connectivity:](#)

[RGP0207CHJ100M](#)