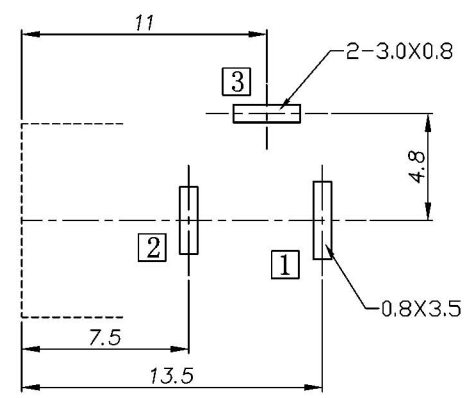
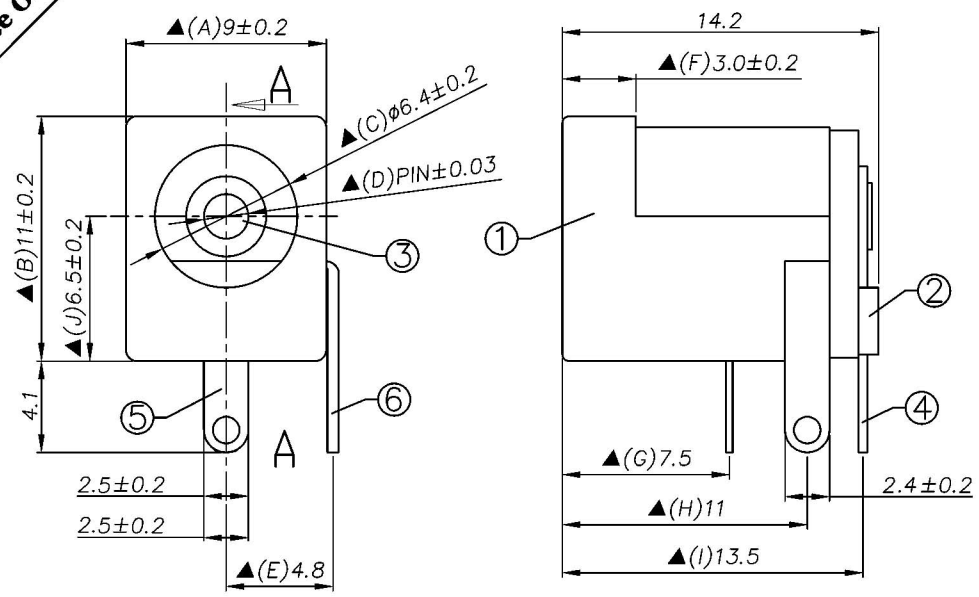
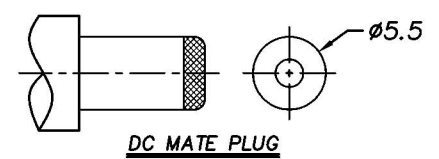


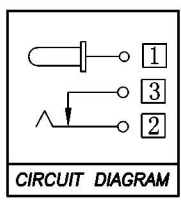
**RoHS
Compliant
Drawing For
Reference Only**



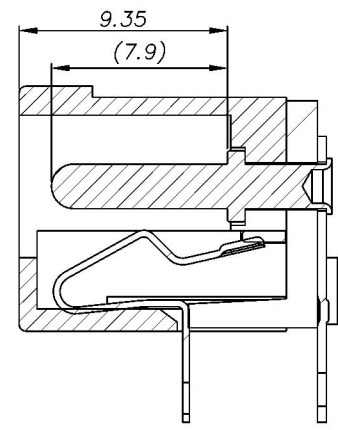
P. C. B Layout
(Copper-sided view)



MODEL NO.	PIN
DS-261B(PBT)(NB)(210)	ø2.0
DS-261A(PBT)(NB)(210)	ø2.5



□ : TERMINAL NO.



SEC:A-A

- SPECIFICATION**
- 1.Rating : DC 20V 4A;
 - 2.Contact resistance: $\leq 30m\Omega$;
 - 3.Insulation resistance: $\geq 100M\Omega$ (DC500V);
 - 4.Withstand voltage: 500VAC ;
 - 5.Insertion and extraction force: 3-30N;
 - 6.life test: 5,000 cycles;
 - 7.Operation temperature range:-20°C~70°C;
 - 8.Preservative temperature range:-40°C~85°C;
 - 9.Sign"▲ "is importance dimension.

- Technical requirement :**
1. This product should meet EU RoHS related requirement.
 2. The surface of plastic part should be without any crackle such as burr,lack,and so on phenomenon.
 3. The surface of metal part should be without any defect such as scaur,nick,oxidation and plating problem.
 4. The electronic performance should be the same as spec.
 5. The un-specified tolerance is : $\leq 6\pm 0.1$
6~20±0.2
>20±0.3

⑥	Shunt terminal	③	1	Brass t=0.5	Tin plating
⑤	Tip spring	②	1	Phosphor bronze t=0.30	Tin plating
④	Center pin terminal	①	1	Brass t=0.40	Tin plating
③	Center pin	①	1	Brass	CuSn/Nickel plating
②	Cover		1	PBT	
①	Housing		1	PBT	
NO.	DESCRIPTION		QTY	MATERIAL	REMARK

DCI DRAGON CITY INDUSTRIES LIMITED

Item Name	DC POWER JACK	Tolerance :	Design	K.W Law	Remark	Scale
Item No.	DS-261(PBT)(NB)(210)	Unit : mm	Drawing	W.K Yeung	Remark	Material
			Check	K.L Wong	Remark	Drawing No.
			Approval	K.W Chan	Remark	Sheet