

TERMINAL BLOCK Connector

Pluggable Series

KLS2-EDCKM-5.00/5.08 Series Pitch=5.00mm/5.08mm

Electrical :

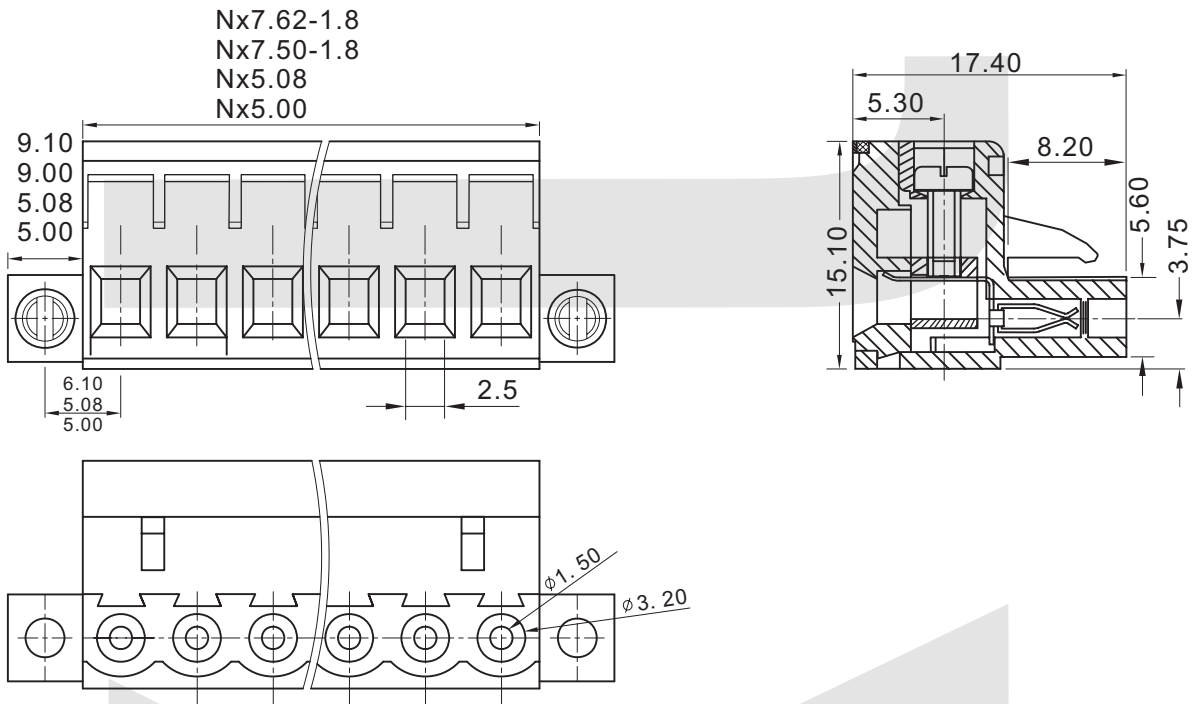
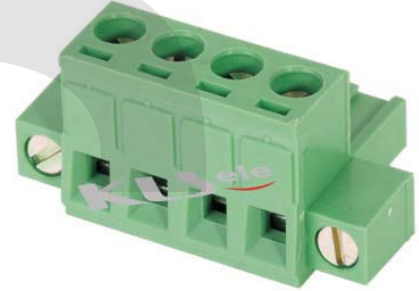
Rated voltage: 300V
Rated current: 15A
Contact resistance: 20mΩ
Insulation resistance: 5000MΩ/DC1000V
Withstanding Voltage: AC2000V/1Min
Wire range: 28-12AWG 2.5mm²

Material

Contact: Phosphor bronze
Screws: M2.5, steel, Zinc plated
Housing: PA66, UL94V-0

Mechanical

Temp. Range: -40°C~+105°C
Torque: 0.4Nm(3.6Lb.in)
Strip length: 7-8mm



ORDER INFORMATION

Product NO.: KLS2-EDCKM-5.00-XXP X X X

Pos. NO. _____ Customer Request
Series No. _____ Screw: C=Cross Screw
S=Slot Screw
Pitch 5.00=5.00mm 5.08=5.08mm Color: 1=Gray 2=Blue 3=Black
7.50=7.50mm 7.62=7.62mm 4=Green 5=Orange 6=Red
Number of Pole _____ 7=Transparent 8=Yellow 9=White