

TERMINAL BLOCK Connector

PCB Series

KLS2-350R-3.50/3.96 Series Pitch=3.50mm/3.96mm

Electrical :

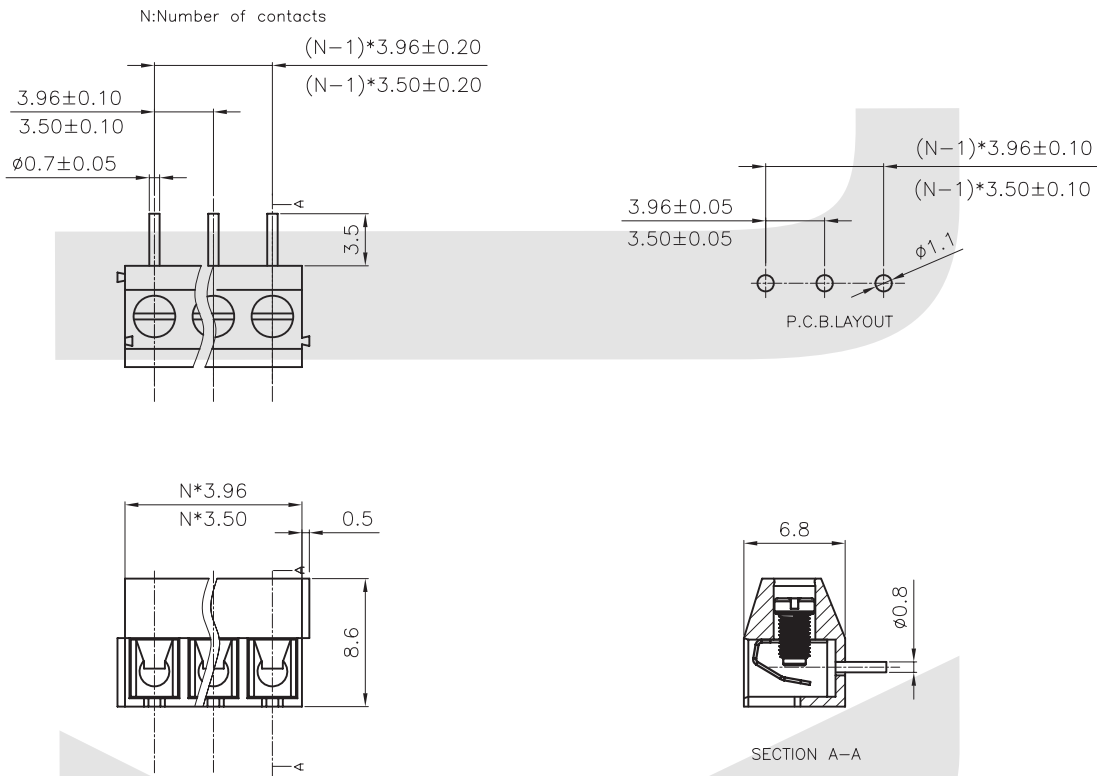
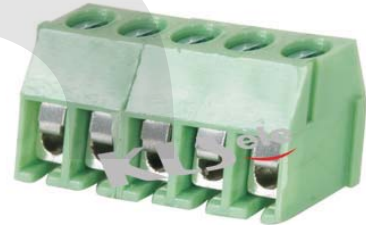
Rated voltage: 300V
 Rated current: 10A
 Contact resistance: 20mΩ
 Insulation resistance: 5000MΩ/1000V
 Withstanding Voltage: AC1500V/1Min
 Wire range: 24-18AWG 2.5mm²

Material

Screws: M2.5 steel Zinc plated
 Wire guard: phosphor bronze Ni plated or stainless steel
 Pin header: Brass, Tin plated
 Housing: PA66, UL94V-0

Mechanical

Temp. Range: -30°C~+120°C
 MAX Soldering: +250°C for 5 Sec.
 Torque: 0.5Nm (4.5lb.in)
 Strip length: 4.5-5mm



ORDER INFORMATION

Product NO.: KLS2-350R-3.50-XXP X X X

Pos. NO.	Series No.	Pitch: 3.50=3.50mm 3.96=3.96mm	Number of Pole	Customer Request	Screw: C=Cross Screw S=Slot Screw	Color: 1=Gray 2=Blue 3=Black 4=Green 5=Orange 6=Red 7=Transparent 8=Yellow 9=White
----------	------------	--------------------------------	----------------	------------------	--------------------------------------	--