

# TERMINAL BLOCK Connector

## PCB Series

KLS2-126-5.00 Series Pitch=5.00mm/10.00mm

### Electrical :

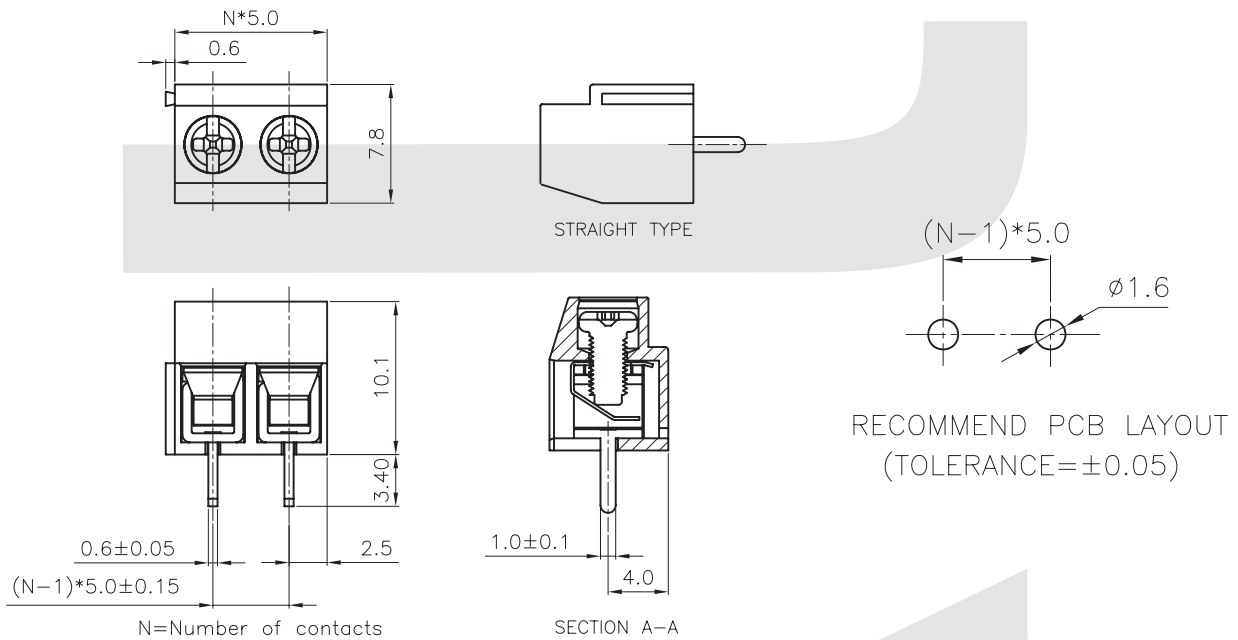
- Rated voltage: 300V
- Rated current: 10A
- Contact resistance: 20mΩ
- Insulation resistance: 5000MΩ/1000V
- Withstanding Voltage: AC1500V/1Min
- Wire range: 24-18AWG 2.5mm<sup>2</sup>

### Material

- Screws: M2.5 steel Zinc plated
- Wire guard: phosphor bronze Ni plated or stainless steel
- Pin header: Brass, Tin plated
- Housing: PA66, UL94V-0

### Mechanical

- Temp. Range: -40°C~+105°C
- MAX Soldering: +250°C for 5 Sec.
- Torque: 0.4Nm (3.6lb.in)
- Strip length: 6-7mm



## ORDER INFORMATION

Product NO.: KLS2-126-5.00-XXP X X X

- Pos. NO. \_\_\_\_\_
- Series No. \_\_\_\_\_
- Pitch: 5.00=5.00mm  
10.00=10.00mm
- Number of Pole \_\_\_\_\_
- Customer Request \_\_\_\_\_
- Screw: C=Cross Screw  
S=Slot Screw
- Color: 1=Gray 2=Blue 3=Black  
4=Green 5=Orange 6=Red  
7=Transparent 8=Yellow 9=White