

# TERMINAL BLOCK Connector

## PCB Terminal Blocks

KLS2-104-5.00 PCB Terminal block 5.0mm Pitch

### Electrical :

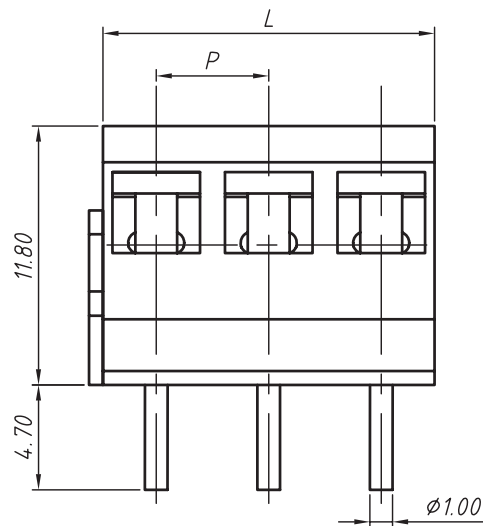
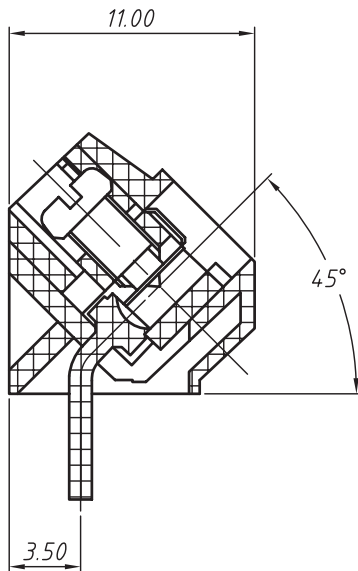
Rated voltage: 250V  
Rated current: 10A  
Insulation resistance: DC500V 500MΩ  
Withstanding Voltage: AC2000V/1Min  
Wire range: 22-14AWG

### Material

Screws: M2.5 steel Zinc plated  
Contact: Brass, Electroless nickel  
Pin header: Brass, Tin-plated  
Shrapnel: Stainless Steel  
Housing: PA66, UL94V-0

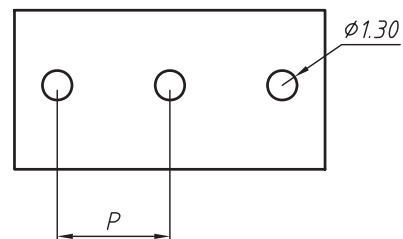
### Mechanical:

Temp. Range: -33°C~+105°C  
Torque: 3.5kgf.cm  
Strip length: 5mm



P.C.B.LAYOUT

$P = 5.00\text{mm}$   
 $\text{Length}(L) = P * \text{Pole}$



## ORDER INFORMATION

Product NO.: KLS2-104-5.00-XXP X X X

Pos. NO. \_\_\_\_\_  
Series No. \_\_\_\_\_  
Pitch: 5.00=5.00mm \_\_\_\_\_  
Number of Pole: 2~24 \_\_\_\_\_

Customer Request \_\_\_\_\_  
Screw: C=Cross Screw S=Slot Screw \_\_\_\_\_  
Color: 1=White 2=Black 3=Blue  
4=Green 5=Gray 6=Orange  
7=Yellow 8=Red 9=Brown